

Brad Nailer 1,2MM

Parts Reference Guide
Guía de referencia
de piezas
Pièces Guide
de référence

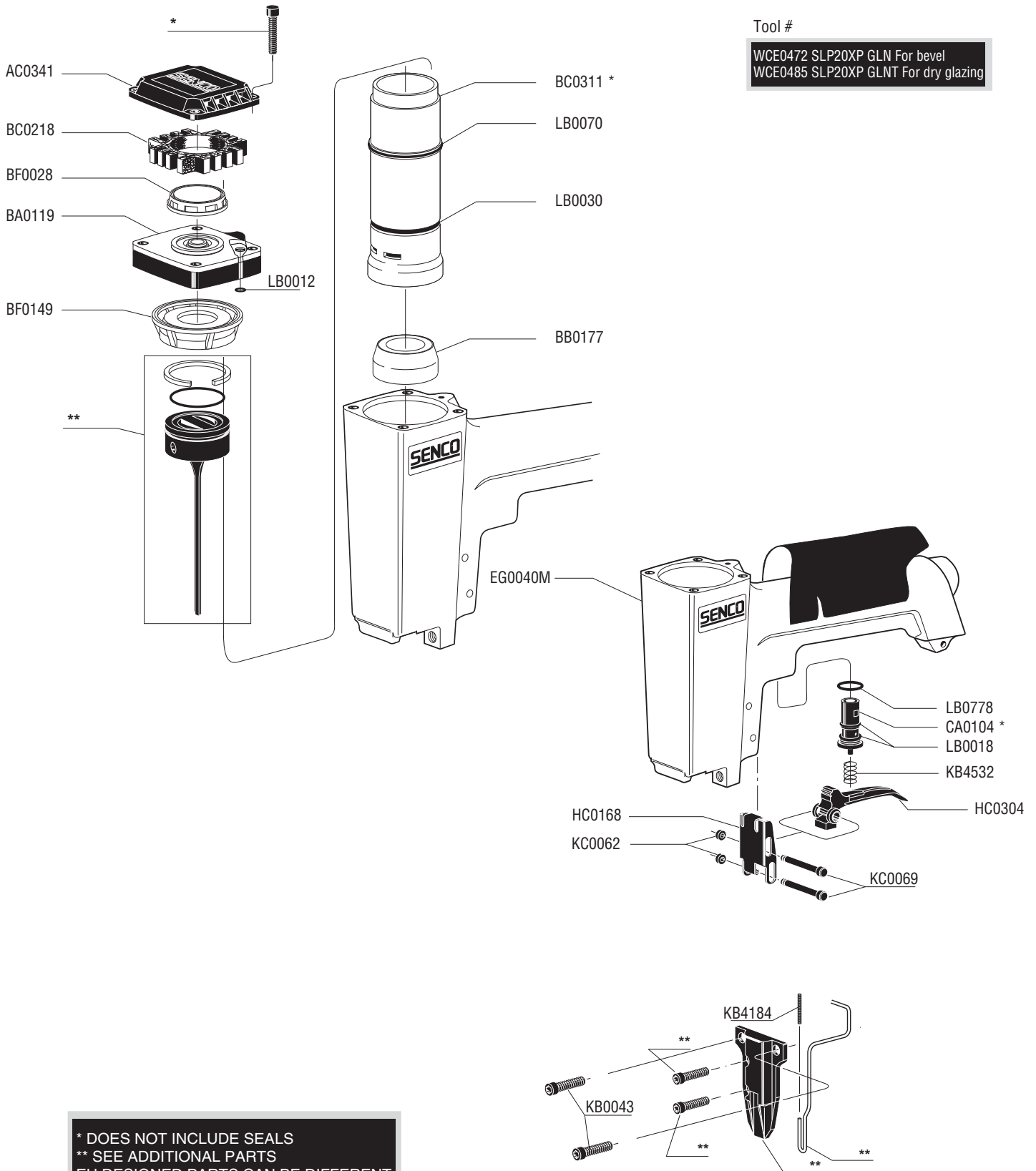


Schematic Drawings Inside
Plano esquemático en el interior
Schéma intérieur

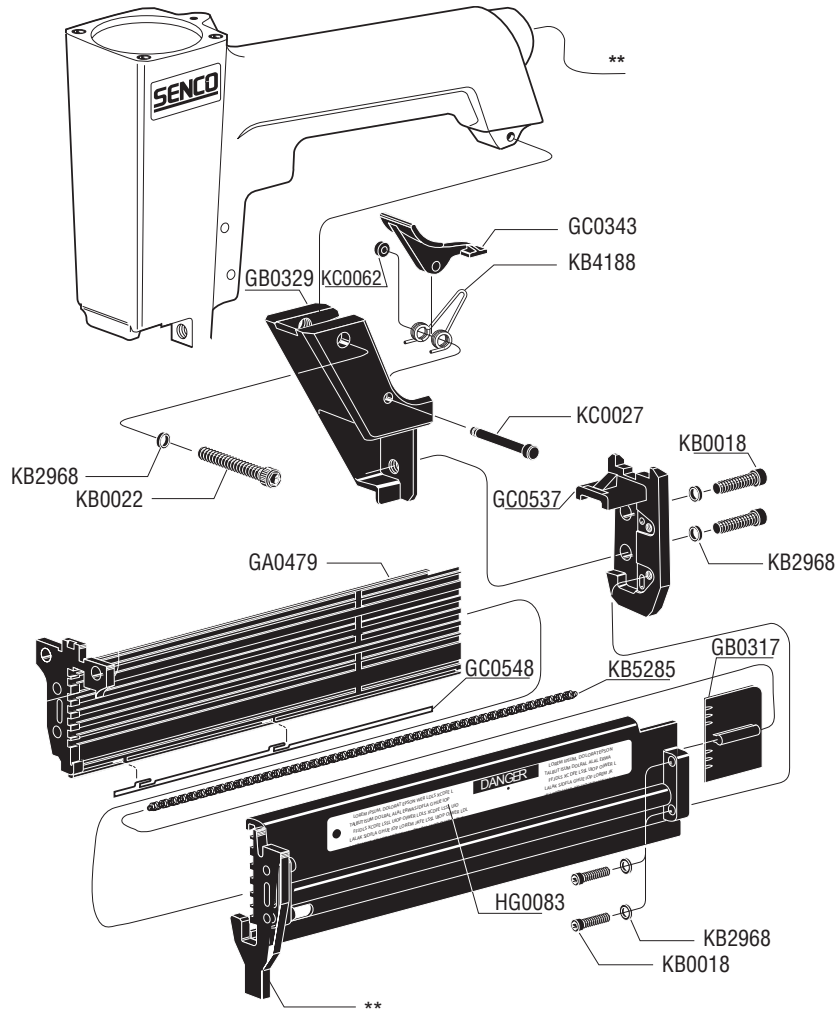
SENCO®

Tool #

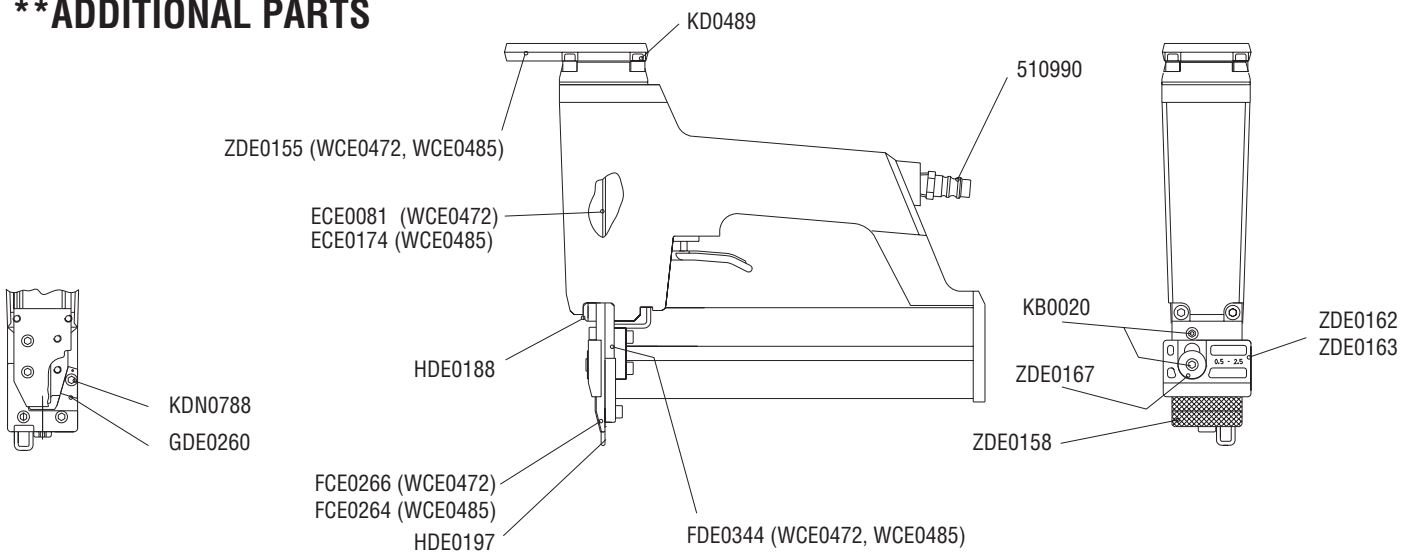
WCE0472 SLP20XP GLN For bevel
WCE0485 SLP20XP GLNT For dry glazing



* DOES NOT INCLUDE SEALS
** SEE ADDITIONAL PARTS
EU DESIGNED PARTS CAN BE DIFFERENT



**ADDITIONAL PARTS



REPLACEMENT PARTS LIST • LISTA DE PARTES DE REPUESTO • ERSATSTEILE-LISTE • LISTE DE PIÈCES DE RECHANGE

| PART NO. | DESCRIPTION | DESCRIPCIÓN | BESCHREIBUNG | DÉSIGNATION |
|----------|------------------------------|-------------------------------|-------------------------------|-----------------------------|
| 510990 | AIR CONNECTION | CONEXIÓN DE AIRE | LUFTANSCHLUSS | CONNEXION AIR |
| EG0040M | MAIN BODY | CARCASA | GEHÄUSE | CORPS |
| BA0119 | VALVE | VÁLVULA | VENTIL | VALVE |
| AC0341 | DEFLECTOR | DESVIADOR | ABWEISER | DÉFLECTEUR |
| BB0177 | BUMPER | BUMPER | AUTO | PARE-CHOCS |
| BC0311 | CYLINDER | CILINDRO | ZYLINDER | CYLINDRE |
| BC0218 | SILENCER | SILENCIADOR | DÄMPFER | SILENCIEUX |
| BF0028 | GASKET | ARANDELLA | DICHTUNG | JOINT |
| BF0149 | CIRCLIP | CIRCLIP | SICHERUNGSRING | CIRCLIP |
| ECE0081 | DRIVER PISTON ASSY (WCE0472) | ASAMBLE DE PISYON Y (WCE0472) | KOLBEN/TREIBER ASSY (WCE0472) | PISTON/COUTEAU (WCE0472) |
| ECE0174 | DRIVER PISTON ASSY (WCE0485) | ASAMBLE DE PISYON Y (WCE0485) | KOLBEN/TREIBER ASSY (WCE0485) | PISTON/COUTEAU (WCE0485) |
| FCE0264 | GUIDE (WCE0485) | GUÍA (WCE0485) | FÜHRUNG (WCE0485) | GUIDE (WCE0485) |
| FCE0266 | GUIDE (WCE0472) | GUÍA (WCE0472) | FÜHRUNG (WCE0472) | GUIDE (WCE0472) |
| FDE0344 | PLATE | PLATTE | PLATTE | PLAQUE |
| GA0479 | RAIL ASSY | ASAMBLE DE CARRIL | SCHIENE-ZUSAMMENBAU | RAIL D'ASSEMBLÉE |
| GB0317 | FEEDER SHOE | ALIMENTADOR | NAGELSCHIEBER | POUSSOIR |
| GB0329 | SUPPORT | APOYO | UNTERSTÜTZUNG | SOUTIEN |
| GC0343 | LATCH | UNETA | VERSCHLUSS | DOIGT DE RETENUE |
| GC0537 | LATCH | UNETA | VERSCHLUSS | DOIGT DE RETENUE |
| GC0548 | GUIDE | GUÍA | FÜHRUNG | GUIDE |
| GDE0260 | PRESSURE PLATE | PLATO DE PRESION | DRUCK PLATTE | LA PRESSION PLATE |
| HCO168 | LINK | ENLACE | LINK | LINK |
| HCO304 | TRIGGER | GATILLO | AUSLÖSER | GÂCHETTE |
| HDE0188 | BLOCK | BLOQUE | BLOCK | BLOC |
| HDE0197 | SAFETY ELEMENT | SEGURO | SICHERHEITSVORRICHTUNG | PALPEUR DE SÉCURITÉ |
| HDE0210 | SAFETY ELEMENT | SEGURO | SICHERHEITSVORRICHTUNG | PALPEUR DE SÉCURITÉ |
| HG0063 | LABEL | ETIQUETA | AUFKLEBER | ÉTIQUETTE |
| KB0018 | SCREW | TORNILLO | SCHRAUBE | VIS |
| KB0020 | SCREW | TORNILLO | SCHRAUBE | VIS |
| KB0022 | SCREW | TORNILLO | SCHRAUBE | VIS |
| KB0043 | SCREW | TORNILLO | SCHRAUBE | VIS |
| KB2968 | WASHER | ARANDELA | SCHEIBE | RONDELLE |
| KB4184 | SPRING | ARANDELA | SCHEIBE | RONDELLE |
| KB4188 | SPRING | ARANDELA | SCHEIBE | RONDELLE |
| KB4542 | SPRING | RESORTE | FEDER | RESSOR |
| KB5285 | SPRING | RESORTE | FEDER | RESSOR |
| KC0027 | PIN | PASADOE | STIFT | LE GOUPIL |
| KC0062 | RETAINER | JUNTA TÓRICA | SICHERUNGSRING | RETENUE |
| KC0069 | PIN | PASADOR | SICHERUNGSRING | RETENUE |
| KDN0489 | CYLINDER SCREW | TORNILLO CILÍNDRICO | LINDERSCHRAUBE | GOUPILLE |
| KDN0788 | SCREW | TORNILLO | SCHRAUBE | VIS |
| LB0012 | O RING | SELLO DE GOMAS | DICHTRING | JOINT |
| LB0018 | SEAL | SEAL | DICHTUNG | JOINT |
| LB0030 | O RING | SELLO DE GOMAS | DICHTRING | JOINT |
| LB0070 | O RING | SELLO DE GOMAS | DICHTRING | JOINT |
| LB0778 | SEAL | SEAL | DICHTUNG | JOINT |
| ZDE0155 | STOP (WCE0472, WCE0485) | TOPE (WCE0472, WCE0485) | PUFFER (WCE0472, WCE0485) | ARRÊT (WCE0472, WCE0485) |
| ZDE0158 | SPARE FELT COVER | RECAMBIO FIELTRO | SPARE FILZBEZUG | REVÊTEMENT EN FEUTRE |
| ZDE0162 | DISTANCE PIECE 0.5-2.5 | PIEZA DE DISTANCIA 0.5 - 2.5 | DISTANZSTÜCK 0.5-2.5 | PIÈCE DE DISTANCE 0.5 - 2.5 |
| ZDE0163 | DISTANCE PIECE 2.5-4.5 | PIEZA DE DISTANCIA 2.5 - 4.5 | DISTANZSTÜCK 2.5-4.5 | PIÈCE DE DISTANCE 2.5 - 4.5 |
| ZDE0167 | BUSHING | CASQUILLO | HÜLSE | DOUILLE |