



Staplers

XtremePro Series

SFT10XP
SFT10XP-DL
SFT10XP-LN
SLS20XP
SLS25XP
SKSXP
NS20XP
NS20BXP
SQS55XP
PS15XP
PS20XP

Pro Series

SFW09
SLS18MG
SMS92
SNS41
WC330-SP
WC360-SP

SemiPro Series

SFW05
S150LS
S150MS

Operating Instructions

(Original Instructions)

Betriebsanleitung

(Übersetzung der Ursprünglichen Anweisungen)

Gebruiksaanwijzing

(Vertaling van de Oorspronkelijke Gebruiksaanwijzing)

Käyttöohjeet

(Alkuperäisten Ohjeiden Käännös)

Bruksvisning

(Oversættelse av de Originale Instruksjonene)

Bruksvisning

(Översättning av de Ursprungliga Undervisningarna)

Brugsanvisning

(Oversættelse af de Originale Instruktioner)

Mode d'Emploi

(Traduction des Instructions Originales)

Instrucciones de Empleo

(La Traducción de las Instrucciones Originales)

Istruzione per l'Uso

(Traduzione delle Istruzioni Originali)

Instrukcja obsługi

(Tłumaczenie oryginalnej instrukcji)

Инструкция по эксплуатации

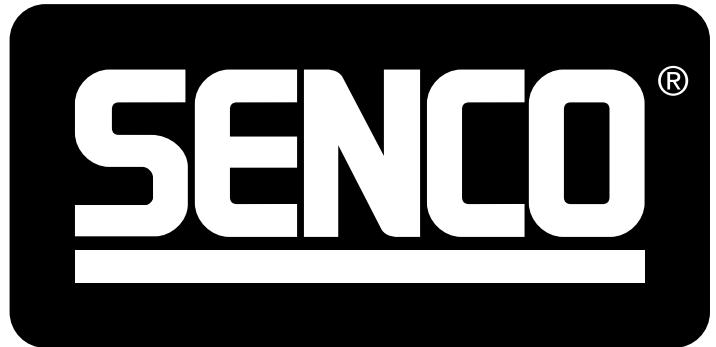
(Перевод оригинальной инструкции)

Kullanma Talimatları

(Orijinal talimatların çevirisi)



WARNING: Please read the instructions and warnings for this tool carefully before use. Failure to do so could lead to serious injury.



KYOCERA SENCOR Netherlands B.V.

Pascallaan 88

8212 NJ Lelystad, The Netherlands

+31 320 295 575

senco.com

EMEA: senco.eu

NFE2ST1112019

EN	English	3
DE	Deutsch	13
NL	Nederlands	23
FR	Français	33
FI	Suomi	43
NO	Norsk	53
SE	Svenska	63
DK	Dansk	73
ES	Español	83
IT	Italiano	93
PL	Polski	103
RU	Русский	113
TR	Türkçe	123

TABLE OF CONTENTS

Employer's Responsibilities.....	3
General Description.....	3
Warnings	3
Safety Warnings	4
Tool Use.....	6
Maintenance.....	8
Troubleshooting.....	8
Technical Data	9
Nail Range.....	10
Noise Information	11
Accessories	11
Declaration Of Conformity	132
Limited Warranty	134

EMPLOYER'S RESPONSIBILITIES



It is the employer's responsibility to assure this manual is read and understood by all personnel assigned to use the tool. Keep this manual available for future reference. Risk assessment and implementation of appropriate controls for all hazards are essential.

WORKPLACE HAZARDS

The following apply:

- Slips, trips and falls are major causes of workplace injury. Be aware of slippery surfaces caused by use of the tool and also of trip hazards caused by the airline hose.
- Proceed with additional care in unfamiliar surroundings. Hidden hazards may exist, such as electricity or other utility lines.
- This tool is not intended for use in potentially explosive atmospheres and is not insulated from coming into contact with electric power.
- Make sure there are no electrical cables, gas pipes etc. that could cause a hazard if damaged by use of the tool.

DUST AND EXHAUST HAZARDS

If the tool is used in an area where there is static dust, it may disturb the dust and cause a hazard.

The following apply:

- Risk assessment should include dust created by the use of the tool and the potential for disturbing existing dust.
- Direct the exhaust so as to minimize disturbance of dust in a dust filled environment.
- Where dust or exhaust hazards are created, the priority shall be to control them at the point of emission.

GENERAL DESCRIPTION

- Hand-held power fastener driving tool consisting of a pneumatic power unit, guide body and magazine in which energy is applied in a linear movement to a loaded fastener for the purpose of driving the fastener into defined materials unless using a specialized fastener intended for use in concrete or steel.
- Any other use is forbidden.

WARNINGS

Tools with symbol shall only be used for production applications. Any other use is forbidden.



- Do not rest your finger on the trigger when picking up the tool, moving between operating areas and positions or walking, as resting finger on trigger can lead to inadvertent operation. For tools with selective actuation, always check the tool before use to ascertain the correct mode is selected.
- This tool has either selective actuation for contact actuation or continuous contact actuation by actuation mode selectors or is a contact actuation or continuous actuation contact tool and has been marked with the symbol above. Its intended uses are for production applications such as pallets, furniture, manufactured housing, upholstery and sheathing.
- If using this tool in selective actuation mode, always ensure it is in the correct actuation setting.
- Do not use this tool in contact actuation for applications such as closing boxes or crates and fitting transportation safety systems on trailers and lorries.
- Be careful when changing from one driving location to another.

SAFETY WARNINGS

• Read and understand these warnings to prevent injuries to yourself and bystanders. Refer to tool use, maintenance and troubleshooting sections for additional information.



- Failure to follow warnings could result in serious injury.
- Do not discard.

• Operators and others in work area shall wear impact-resistant eye protection with side shields. Failure to do so can cause serious injury. CE equivalent to EN166



• Always wear other personal protective equipment such as hearing, gloves and hard hat.



- Only wear gloves that provide adequate feel and safe control of triggers and adjusting devices.
- Operators and others in work area shall wear hearing protection.
- Unprotected exposure to high noise levels can cause permanent, disabling, hearing loss and other problems such as tinnitus (ringing, buzzing, whistling or humming in the ears).
- Appropriate controls to reduce the risk may include actions such as damping materials to prevent workpieces from “ringing”.
- Use appropriate hearing protection.
- Operate and maintain the tool as recommended in these instructions, to prevent an unnecessary increase in noise levels.
- If the tool has a silencer, always ensure it is in place and in good working order when the tool is being operated.

• Exposure to vibration can cause disabling damage to the nerves and blood supply of the hands and arms.



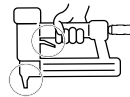
- Wear warm clothing when working in cold conditions, keep your hands warm and dry.
- If you experience numbness, tingling, pain or whitening of the skin in your fingers or hands, seek medical advice from a qualified occupational health professional regarding overall activities.
- Operate and maintain the tool as recommended in these instructions, to prevent an unnecessary increase in vibration levels.
- Hold the tool with a light, but safe, grip because the risk from vibration is generally greater when the grip force is higher.

• Stay alert, watch what you are doing, and use common sense when operating a power tool. Do not use tool while tired or under the influence of drugs, alcohol, or medication. A moment of inattention while operating power tools may result in serious personal injury.

- Only use correct energy supply as directed
- Never use oxygen, carbon dioxide or any other bottled gas as a power source for this tool; the tool will explode and cause serious injury.
- Using oxygen or combustible gases for pneumatic tools creates a fire or explosion hazard.



• Always remove finger from trigger when not driving fasteners. Never carry the tool with finger on or under trigger. Tool will eject a fastener if the workpiece contact is bumped.



- Tool's resting position is on its side disconnected from air.
- Resting position includes removing finger from trigger and positioning tool so that the workpiece contact is not actuated.
- Always assume the tool contains fasteners. Keep the tool pointed away from yourself and others. No horseplay.
- Respect the tool as a working implement.
- Keep hands and legs away from firing direction.
- Only skilled operators should use fastener driving tools.

• Drive fasteners into work surface only; never into materials too hard to penetrate.



- Addition downforce is required for steel and concrete tools.
- During operation, debris from from workpiece & collation system may be discharged.
- Ensure tool is always safely engaged on the workpiece and cannot slip.

• Tools equipped with “Contact Actuation” shall not be used:

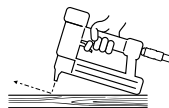
- If a change of driving locations is effected via stairs, ladders or scaffolding.
- For closing boxes or crates.
- For fitting transportation safety systems.
- Moving platforms



• Read and understand risk associated with selective actuation in “Tool Use” Section.

- Do not force tool. Let the tool do the work. Use the correct tool for your application. The correct tool will do the job better and safer at the rate for which it is designed.
- Do not overreach
- Keep proper footing and balance at all times.

• Do not drive fasteners on top of other fasteners or with the tool at too steep of an angle.



• Fastener could deflect and cause injury.

• When using tool, care should be taken due to possibility of tool recoil after a fastener is driven. If workpiece contact is unintentionally allowed to re-contact work surface following a recoil, an unwanted fastener will be driven. Therefore, allow tool to recoil completely off work surface after a fastener is driven to avoid this condition. Do not push workpiece contact on work surface until a second fastener is desired.



- Hold the tool correctly with a firm grasp and be prepared to counteract and manage normal or sudden movements such as recoil. Grip should be safe but appropriate to reduce vibration hazard which can cause serious injury.
- Maintain a balanced body position and secure footing.
- Be careful when using pneumatic tools as the tool becomes cold. This can affect grip and control.

- Do not drive fasteners close to the edge of the work surface.
- The fastener could deflect and cause injury.
- Keep bystanders away.
- Clearly mark off your operating area.

- Disconnect tool from air before doing tool maintenance, clearing a jammed fastener, making adjustments, leaving work area, moving tool to another location, or handing the tool to another person.



- Tool may eject a fastener when connected to air supply; therefore, ① remove all fasteners from tool before attaching air hose.
- Be careful when handling fasteners when loading/unloading. Fasteners have sharp points.

- Never use tool if workpiece contact, trigger or springs have become inoperable, missing or damaged. Do not tamper with or remove workpiece contact, trigger, or springs.
- Modifications may reduce the effectiveness of safety measures and increase risk to operator/bystanders.
- Do not use tool if tool has been damaged.

- Make sure all screws and caps are securely tightened at all times. Make daily inspections for free movement of trigger and workpiece contact. Never use the tool if parts are missing, worn or damaged.
- Always use second handle (if supplied)

- Use only parts, fasteners, lubricants and accessories recommended or sold by SENCO. Do not modify tool without authorization from SENCO.

- Use only clean, dry, regulated compressed air at recommended pressure.
- Always shut off air supply and disconnect tool when not in use.

- Tools shall not be connected to pressure which potentially exceeds maximum operating pressure by 10%.
- Do not exceed the maximum operating pressure P_s max.

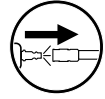
- Tools marked with an inverted triangle may not be used unless fitted with an effective workpiece contact.



- Tools without workpiece contact can be fired unintentionally, causing injury.

- Stands for mounting tools to a support shall be designed and constructed by the stand manufacturer in such a way that the tool can be safely affixed for the intended use.

- The tool and air supply hose must have a connecting nipple such that all pressure is removed from the tool when the coupling joint is disconnected.



- Compressed air can cause severe injury.
- Always disconnect the tool from the compressed air supply before changing accessories, making adjustments and/or repairs or when moving away from an operating area to a different area.
- Never direct compressed air at yourself or anyone else
- Whipping hose can cause severe injury – always check for damaged or loose hose.

- Do not load fasteners with trigger or workpiece contact depressed.

- Do not use tool without danger label on tool. If label is missing, damaged or unreadable, contact your SENCO representative to obtain a new label.



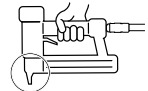
- Never use a tool that leaks air or needs repair.
- Do not use if the tool is damaged.
- Never carry or drag a pneumatic tool by its hose.

- Do not perform any “emergency repairs” without proper tools and equipment.
- Always check tool before use for broken, misconnected, loose or worn parts.





Written approval of the tool manufacturer must be obtained prior to making any modifications to tool.





- Keep hands and other body parts away from the area shown in the circle to avoid possible injury during operation.
- Keep fingers away from trigger when not operating the tool and when moving from one operating position to another.


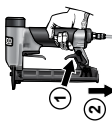
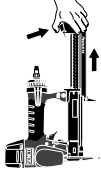

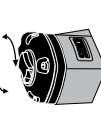



TOOL USE

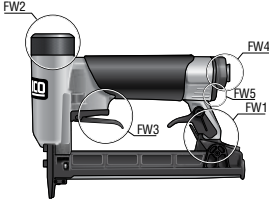
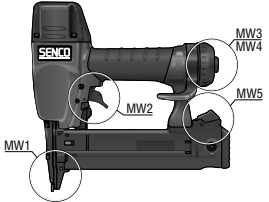
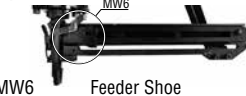
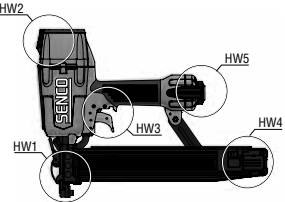
Tool	Loading	Unloading	Exhaust	Trigger Type	Auto Fire Option	Depth of Drive Adjustment	Jam Clearing	Safety element	
SFT10XP	Bottom Load (A1)	Release at rear of tool (B1)	Rear	Single (D1)	(E1)	None	Via magazine	None	
SFT10XP-LN		Release at magazine (B2)							
SFT10XP-DL		Release at rear of tool (B1)							
SFW09		Release at magazine (B2)							
SFW05	Top Load (A2)	Pull feeder. Tap to release (B3)	Front	Bottom fire (I)	(E2)	At safety foot	Gate (F1)	Yes	
SKSXP									Moveable
SNS41XP									Adjustable (C1)
NS20XP									Adjustable (C1)
NS20BXP	Top Load (A2)	Pull feeder. Tap to release (B3)	Adjustable (C1)	Sequential (D1)	(E1)	At linkage	Gate (F1)	Yes	
PS15XP									Moveable
PS20XP									Adjustable (C1)
SQS55XP									Adjustable (C1)
SLS25XP	Bottom Load (A1)	Release at rear of tool (B1)	Rear, Adjustable (C2)	Selectable	NA	At trigger well	Via magazine	Yes	
SLS20XP									Adjustable (C1)
SMS92									Adjustable (C1)
SLS18Mg									Adjustable (C1)
S150LS	Top Load (A2)	Pull feeder. Tap to release (B3)	Front	Single (D1)	NA	At linkage	Via magazine	Yes	
S150MS									Adjustable (C1)
WC330									Adjustable (C1)
WC360									Adjustable (C1)

Matrix Picture no.	Description	Image Notes	Matrix Picture no.	Description	Image Notes
A1	 Bottom Load	Do not load with trigger depressed	D1	 Single	① Press the workpiece contact (safety element) against the work surface. ② Pull the trigger and the fastener is driven.

D2	 <p>Bottom</p>	<p>① Pull trigger. ② Depress workpiece contact element against work surface and drive a fastener. Each time you push the workpiece contact (safety element) against the work surface, a fastener is driven.</p>
E1	 <p>Auto Fire Option</p>	<p>These tools are equipped with a drive rate adjustment. To adjust the speed, rotate the screw not more than three turns, counterclockwise to increase the drive rate. Rotate the screw clockwise not more than three turns, to slow the drive rate. For single shot operation, pull trigger only partially. For automatic operation, pull trigger fully.</p>
E2	 <p>Auto Fire Option</p>	<p>This tool is equipped with a drive rate adjustment. To adjust the speed, rotate the screw, not more than three turns, counterclockwise (Q) to increase the drive rate. Rotate the screw clockwise (P), not more than three turns, to slow the drive rate.</p>
F1	 <p>Gate</p>	<p>Release E-Z Clear latch and open door.</p>

A2	 <p>Top Load</p>	<p>Do not load with workpiece contact (safety element) or trigger depressed</p>
B1	 <p>Release at rear of tool</p>	<p>Depress latch, Slide rail open</p>
B2	 <p>Release at magazine</p>	<p>Depress latch, Slide rail open</p>
B3	 <p>Pull feeder. Tap to release</p>	<p>Pull feeder shoe back into "locked" position.</p>
C1	 <p>Adjustable</p>	<p>The deflector can be rotated to change the direction of the exhaust air</p>
C2	 <p>Rear, Adjustable</p>	<p>The deflector can be rotated to change the direction of the exhaust air</p>

TOOL ELEMENTS

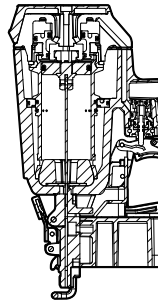
<p>Fine Wire Stapler</p>  <p>FW1 Magazine Release FW2 Cap FW3 Trigger FW4 Inlet FW5 Exhaust</p>	<p>Medium Wire Stapler</p> <p>Bottom Load</p>  <p>MW1 Workpiece Contact MW2 Trigger MW3 Exhaust MW4 Inlet MW5 Magazine Release</p> <p>Top Load</p>  <p>MW6 Feeder Shoe</p>	<p>Heavy Wire Stapler</p>  <p>HW1 Workpiece Contact HW2 Exhaust HW3 Trigger HW4 Feeder Shoe HW5 Inlet</p>
--	--	---

MAINTENANCE

Warning

- Repairs other than those described here should be performed only by trained, qualified personnel. Contact SENCO for information at: +31 320 295 575.
 - Read section titled "Safety Warnings" before maintaining tool.
 - Only use spare parts specified by manufacturer or authorized representative.
-
- All screws should be kept tight. Loose screws result in unsafe operation and parts breakage.
 - Check monthly
-
- With tool disconnected, make daily inspection to assure free movement of workpiece contact and trigger. Do not use tool if workpiece contact or trigger sticks or binds.
-
- Squirt Senco pneumatic oil (5 to 10 drops) into the air inlet twice daily (depending on frequency of tool use). Other oils may damage O-rings and other tool parts.
 - Some Senco tools are Oil Free and DO NOT require oil, Check label.
-
- Wipe tool clean daily and inspect for wear. Use non-flammable cleaning solutions only if necessary.
 - **Do Not Soak.**
 - **Caution:** Such solutions may damage O-rings and other tool parts.
 - Dispose of cleaning materials properly.

TROUBLE SHOOTING



- Should Staple Jam Occur:**
- Disconnect Air Supply
 - Remove Fasteners
 - Clear the Jam
 - Follow loading Procedure

1	<p>SYMPTOM Air leak near top of tool. / Sluggish operation</p> <p>SOLUTION Verify air supply / tighten screws or install Repair Kit – See Parts Manual</p>
2	<p>SYMPTOM Air leak near bottom of tool / Poor return.</p> <p>SOLUTION Clean tool / tighten screws or install Repair Kit See Parts Manual</p>
3	<p>SYMPTOM Other problems.</p> <p>SOLUTION Contact SENCO.</p>

TECHNICAL DATA

Tool Type	Minimum to maximum operating pressure	Air Consumption (60 cycles per minute) litre	Air Inlet	Maximum Speed (cycles per second)	Weight Kg	Staple Capacity	Tool size: Height mm	Tool size: Length mm	Tool size: Width: Main Body mm
XtremePro Series									
SFT10XP	4.5-7.0 bar	33,0	1/4 in NPT	30 (Auto)	0,96	180	167	218	42,0
SFT10XP-DL	4.5-7.0 bar	33,0	1/4 in NPT	30 (Auto)	1,31	180	167	376	42,0
SFT10XP-LN	4.5-7.0 bar	33,0	1/4 in NPT	30 (Auto)	0,92	180	207	218	42,0
SLS20XP	4.8-8.3 bar	54,4	1/4 in NPT	10	1,10	168	216	305	51,0
SLS25XP	4.8-8.3 bar	54,4	1/4 in NPT	10	1,21	168	229	305	50,0
SKSXP	4.8-8.3 bar	61,2	1/4 in NPT	5	1,90	145	238	314	76,0
NS20XP	4.8-8.3 bar	113,0	3/8 in NPT	10	2,31	160	279	381	89,0
NS20BXP	4.8-8.3 bar	136,0	3/8 in NPT	10	2,64	160	279	381	102,0
SQS55XP	5.5-8.3 bar	185,0	3/8 in NPT	15	2,70	130	305	365	92,0
SNS50XP	5.5-8.3 bar	185,0	3/8 in NPT	15	2,70	160	305	365	92,0
PS15XP	4.8-8.3 bar	90,0	3/8 in NPT	10	2,30	160	225	387	89,0
PS20XP	4.8-8.3 bar	97,0	3/8 in NPT	10	2,40	160	225	387	89,0
Pro Series									
SFW09	4.8-8.3 bar	21,8	1/4 in NPT	15	2,00	110	151	241	49,0
SLS18MG	4.8-8.3 bar	68,0	1/4 in NPT	5	1,17	110	241	260	63,5
SMS92	5.0-8.0 bar	55,5	1/4 in NPT	3	1,858	160	274	310	78,0
SNS41	5.5-8.3 bar	153,0	3/8 in NPT	12	2,10	160	273	381	86,0
WC330-SP	5.0-8.0 bar	175,6	3/8 in NPT		5,85	120	400	397	133,0
WC360-SP	5.0-8.0 bar	261,0	3/8 in NPT		6,25	120	400	470	138,0
SemiPro Series									
SFW05	5.2-6.9 bar	27,0	1/4 in NPT	5	0,90	100	163	229	45,0
S150LS	4.8-8.3 bar	54,4	1/4 in NPT	5	1,46	100	227	249	68,0
S150MS	4.8-8.3 bar	54,4	1/4 in NPT	5	1,46	100	227	249	68,0

STAPLE RANGE

Tool Type	Staple Type																		
	A	AT	B	C	E	F	G	K	92	L	M	N	O	P	Q	S	SP		
SFT10XP	6-16	6-16	6-16	6-16	6-16	6-16	6-16												
SFT10XP-DL		6-16	6-16	6-16		6-16	6-16												
SFT10XP-LN		6-16		6-16															
SLS20XP								13-25		10-38	10-38								
SLS25XP										10-38	10-38								
SKSXP										19-38	22-38	22-38							
NS20XP												25-50	25-50						
NS20BXP												25-50	25-50						
SQS55XP															32-65	44-90			
SNS50XP												32-50							
PS15XP														16-38					
PS20XP														22-50					
SFW09		6-16		6-16		6-16													
SLS18MG										10-38	10-38								
SMS92									18-40										
SNS41												25-50	25-50						
WC330-SP																		65-130	
WC360-SP																		90-160	
SFW05		6-16	6-16	6-16															
S150										10-38	10-38								

NOISE INFORMATION

Noise Information

in accordance with
EN12549

These values are tool-related characteristic values and do not represent noise developed at the point of use. Workplace design can also serve to reduce noise levels, for example placing workpiece on sound-damping supports.

Vibration Information

in accordance with EN 292
Part 1 & 2

This value is a tool-related characteristic value and does not represent the influence to the handarm-system when using the tool

Tool Type	Sound pressure level (Lpa) dB	Sound power level (Lwa) dB	Vibration level m/s ²
XtremePro Series			
SFT10XP	81,9	92,1	1,7
SFT10XP-DL	81,9	92,1	1,7
SFT10XP-LN	81,9	92,1	1,7
SLS20XP	80	87	<2.5
SLS25XP	83	89	<2.5
SKSXP	86	91	<2.5
NS20XP	90	96	2,3
NS20BXP	90	96	2,7
SQS55XP	93	99	3,1
SNS50XP	93	99	3,1
PS15XP	90	96	2,3
PS20XP	90	96	2,7
Pro Series			
SFW09	66,3	74,2	<2.5
SLS18MG	84	91	<2.5
SMS92	89,9	102,9	<2.5
SNS41	84	92	<2.5
WC330-SP	90	103	2,86
WC360-SP	91	104	3,51
SemiPro Series			
SFW05	80	85	<2.5
S150LS	88	101	<2.5
S150MS	88	101	<2.5

ACCESSORIES

SENCO offers a full line of accessories for your SENCO tools, including:

- Air Compressors
- Hose
- Couplers
- Fittings
- Safety Glasses
- Pressure Gauges
- Lubricants
- Regulators
- Filters



For more information or a complete illustrated catalogue of SENCO accessories, visit SENCO.EU

INHALTSVERZEICHNIS

Verantwortung des Arbeitgebers	13
Allgemeine Beschreibung.....	13
Gefahrenhinweise.....	13
Sicherheitshinweise.....	14
Gebrauch des Werkzeugs.....	16
Wartung.....	18
Störungen beheben.....	18
Technische Daten.....	19
Naglersortiment.....	20
Angaben zum Lärmpegel.....	21
Zubehör.....	21
Konformitätserklärung.....	132
Eingeschränkte Garantie.....	134

VERANTWORTUNG DES ARBEITGEBERS



Der Arbeitgeber ist dafür verantwortlich sicherzustellen, dass alle Mitarbeiter, die mit dem Werkzeug arbeiten sollen, diese Anweisungen gelesen und verstanden haben. Halten Sie die Anweisungen zum Nachschlagen griffbereit. Risikobewertungen und die Einführung angemessener Kontrollen hinsichtlich aller Gefahren sind unerlässlich.

GEFAHREN AM ARBEITSPLATZ

Es gilt:

- Hauptursachen für Arbeitsunfälle sind Ausrutschen, Stolpern und Stürze. Achten Sie auf rutschige Oberflächen, die durch die Verwendung des Werkzeugs verursacht werden, sowie auf die vom Druckluftschlauch ausgehende Stolpergefahr.
- Gehen Sie in Umgebungen, die Sie nicht kennen, besonders vorsichtig vor. Es könnten versteckte Gefahrenquellen wie Strom- oder andere Versorgungsleitungen vorliegen.
- Dieses Werkzeug ist nicht für den Einsatz in explosionsgefährdeten Bereichen vorgesehen und nicht gegen den Kontakt mit elektrischer Energie isoliert.
- Achten Sie darauf, dass keine elektrischen Kabel, Gasleitungen usw. vorhanden sind, die bei Beschädigung durch den Einsatz des Werkzeugs eine Gefahr darstellen können.

GEFAHREN DURCH STAUB UND ABLUFT

Wenn das Werkzeug in einem Bereich mit Staubablagerungen eingesetzt wird, kann es den Staub aufwirbeln und dadurch Gefahren verursachen.

Es gilt:

- Bei der Risikobewertung sollten der Staub, der durch den Einsatz des Werkzeugs entsteht, und das Potenzial zum Aufwirbeln bereits vorhandenen Staubs berücksichtigt werden.
- Richten Sie in einer staubbelasteten Umgebung die Abluft so aus, dass möglichst wenig Staub aufgewirbelt wird.
- Beim Auftreten von Gefahren durch Staub oder Abluft sind diese vorrangig am Ort der Emission zu bekämpfen.

ALLGEMEINE BESCHREIBUNG

- Tragbares Eintreibwerkzeug für Befestigungsmittel, bestehend aus einer pneumatischen Antriebseinheit, einer Befestigungsmittelführung und einem Magazin, in dem Energie in einer linearen Bewegung auf ein Befestigungsmittel im Magazin aufgebracht wird, um das Befestigungsmittel in bestimmte Materialien einzutreiben, es sei denn, es wird ein spezielles Befestigungsmittel für die Verwendung in Beton oder Stahl verwendet.
- Jede sonstige Verwendung ist unzulässig.

WARNHINWEISE

Mit diesem Symbol gekennzeichnete Werkzeuge dürfen nur für Produktionsanwendungen verwendet werden. Jede sonstige Verwendung ist unzulässig.

- Nehmen Sie beim Anheben des Werkzeugs, beim Wechseln des Arbeitsbereichs oder der Arbeitshaltung und beim Gehen den Finger vom Auslöser, weil das Werkzeug sonst unbeabsichtigt ausgelöst werden kann. Überprüfen Sie bei Werkzeugen mit wählbarer Auslöseeinstellung vor der Verwendung immer, ob der richtige Modus eingestellt ist.
- Dieses Werkzeug weist entweder eine selektive Auslösung über Betriebsartenwahlschalter für Kontaktauslösung oder kontinuierliche Kontaktauslösung auf oder ist ein Werkzeug mit Kontaktauslösung oder kontinuierlicher Kontaktauslösung und wurde mit dem obigen Symbol gekennzeichnet. Es ist für die Verwendung in Produktionsanwendungen für Paletten, Möbel, Fertighäuser, Polster und Verkleidungen vorgesehen.
- Bei Verwendung dieses Werkzeugs im selektiven Auslösemodus ist immer sicherzustellen, dass die richtige Auslöseeinstellung eingestellt ist.
- Verwenden Sie dieses Werkzeug für Anwendungen wie das Schließen von Kästen oder Kisten und die Montage von Transportsicherungen auf Anhängern und Lastkraftwagen nicht mit Kontaktauslösung.
- Gehen Sie beim Wechseln von einer Eintreibsstelle zur nächsten vorsichtig vor.



SICHERHEITSHINWEISE

- Lesen und verstehen Sie diese Gefahrenhinweise, um Verletzungen von sich selbst und umstehenden Personen zu vermeiden. Weitere Informationen finden Sie in den Abschnitten „Gebrauch des Werkzeugs“, „Wartung“ und „Störungen beheben“.



- Bei Missachtung der Gefahrenhinweise besteht schwere Verletzungsgefahr.
- Bewahren Sie die Hinweise auf.

- Der Bediener und andere Personen im Arbeitsbereich müssen stoffsteife Sicherheitsbrillen mit Seitenschildern tragen. Bei Missachtung besteht schwere Verletzungsgefahr. CE-Äquivalent mit EN166



- Tragen Sie immer andere persönliche Schutzausrüstung wie Gehörschutz, Sicherheitshandschuhe und Schutzhelm.



- Tragen Sie nur Handschuhe, die ein angemessenes Gefühl und eine sichere Bedienung von Auslöser und Einstellvorrichtungen gewährleisten.
- Der Bediener und andere Personen im Arbeitsbereich müssen Gehörschutz tragen.
- Ungeschützte Exposition gegenüber hohen Lärmpegeln kann zu einem dauerhaften Verlust des Hörvermögens und anderen Problemen wie Tinnitus (Klingeln, Pfeifen oder Summen in den Ohren) führen.
- Geeignete Kontrollmaßnahmen zur Risikominderung könnten sich auf die Verwendung von Dämpfungsmaterialien erstrecken, um zu verhindern, dass Werkstücke Geräusche verstärken.
- Angemessenen Gehörschutz verwenden.
- Betreiben und warten Sie das Gerät wie in dieser Anleitung empfohlen, um einen unnötigen Anstieg des Geräuschpegels zu vermeiden.
- Wenn das Werkzeug über einen Schalldämpfer verfügt, stellen Sie immer sicher, dass dieser angebracht und in gutem Zustand ist, wenn das Werkzeug in Betrieb genommen wird.



- Vibrationen können zu einer Beeinträchtigung der Nerven und der Blutversorgung in Händen und Armen führen.



- Tragen Sie beim Arbeiten in kalter Umgebung warme Kleidung, halten Sie Ihre Hände warm und trocken.
- Wenn Sie Taubheitsgefühle, Kribbeln, Schmerzen oder Bleichheit der Haut an Ihren Fingern oder Händen verspüren, konsultieren Sie einen qualifizierten Arbeitsmediziner bezüglich Ihrer allgemeinen Tätigkeiten.
- Betreiben und warten Sie das Gerät wie in dieser Anleitung empfohlen, um unnötig starke Vibrationen zu vermeiden.
- Halten Sie das Werkzeug mit einem leichten, aber sicheren Griff, das das von Vibrationen ausgehende Risiko im Allgemeinen bei höherer Greifkraft größer ist.

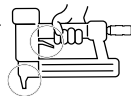


- Bleiben Sie wachsam, achten Sie darauf, was Sie tun, und wenden Sie beim Bedienen von Elektrowerkzeugen gesunden Menschenverstand an. Arbeiten Sie nicht mit dem Werkzeug, wenn Sie müde sind oder unter dem Einfluss von Drogen, Alkohol oder Medikamenten stehen. Eine kurze Phase der Unaufmerksamkeit kann beim Bedienen von Elektrowerkzeugen zu schweren Verletzungen führen.

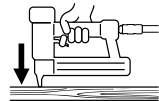
- Verwenden Sie ausschließlich die vorgeschriebene Energieversorgung.
- Verwenden Sie niemals Sauerstoff, Kohlendioxid oder andere Flaschengase als Energiequelle für dieses Werkzeug, weil das Werkzeug dadurch explodieren und schwere Verletzungen verursachen würde.
- Die Verwendung von Sauerstoff oder brennbaren Gasen in pneumatisch angetriebenen Werkzeugen führt zu Brand- und Explosionsgefahr.



- Nehmen Sie immer den Finger vom Abzug, wenn Sie keine Befestigungsmittel eintreiben. Tragen Sie das Werkzeug niemals mit dem Finger auf oder unter dem Auslöser. Das Werkzeug wirft ein Befestigungsmittel aus, wenn der Kontaktauslöser angestoßen wird.
- Außerhalb der Betriebszeiten ist das Werkzeug in Seitenlage und von der Druckluft getrennt zu lagern.
- In der Ruheposition muss auch der Finger vom Auslöser genommen und das Werkzeug so positioniert werden, dass der Kontaktauslöser nicht betätigt wird.



- Gehen Sie immer davon aus, dass das Werkzeug mit Befestigungsmitteln bestückt ist. Richten Sie das Werkzeug niemals auf sich selbst oder andere Personen. Nehmen Sie die Gefahr ernst. Respektieren Sie das Werkzeug als Arbeitsgerät.



- Halten Sie Hände und Beine aus der Schussrichtung.
- Das Werkzeug zum Eintreiben von Befestigungsmitteln darf nur durch geschultes Fachpersonal gehandhabt werden.
- Treiben Sie Befestigungsmittel ausschließlich in Arbeitsflächen und niemals in Materialien mit zu harter Oberfläche ein.
- Bei Stahl- und Betonwerkzeugen ist zusätzlicher Anpressdruck erforderlich.
- Während des Betriebs werden möglicherweise Bruchstücke des Werkstücks und des Trägersystems ausgeworfen.
- Achten Sie darauf, dass das Werkzeug immer sicher auf dem Werkstück aufliegt und nicht abrutschen kann.

- In den folgenden Situationen darf kein Werkzeug mit „Kontaktauslösung“ verwendet werden:

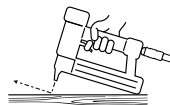
- Wenn das Wechseln von einer Eintreibstelle zur anderen über Treppen, Leitern oder Gerüste erfolgt.
- Beim Schließen von Kästen oder Kisten.
- Beim Befestigen von Transportsicherungen.
- Bewegliche Arbeitsbühnen



- Lesen und verstehen Sie das mit dem selektiven Auslösen verbundene Risiko im Abschnitt „Gebrauch des Werkzeugs“.

- Üben Sie keine Gewalt auf das Werkzeug aus. Lassen Sie das Werkzeug die Arbeit verrichten. Verwenden Sie das passende Werkzeug für Ihre Anwendung. Das passende Werkzeug erledigt die Arbeit besser und sicherer mit der Geschwindigkeit, für die es ausgelegt ist.
- Nicht zu weit vorlehnen
- Achten Sie jederzeit darauf, sicher und im Gleichgewicht zu stehen.

- Treiben Sie keine Befestigungsmittel aufeinander oder mit einem für das Werkzeug zu großen Winkel ein.
- Das Befestigungsmittel könnte abrutschen und Verletzungen verursachen.



- Seien Sie bei der Verwendung des Werkzeugs auf einen Rückstoß des Werkzeugs nach dem Eintreiben des Befestigungsmittels gefasst. Wenn der Kontaktauslöser nach einem Rückstoß unbeabsichtigt wieder mit der Arbeitsfläche in Kontakt gerät, wird unkontrolliert ein Befestigungsmittel eingetrieben. Lassen Sie also zu, dass das Werkzeug durch den Rückstoß komplett vom Werkstück abgehoben wird, um derartige Ereignisse zu vermeiden. Drücken Sie den Kontaktauslöser erst dann wieder auf die Arbeitsfläche, wenn ein weiteres Befestigungsmittel eingetrieben werden soll.



- Halten Sie das Werkzeug korrekt mit festem Griff und seien Sie bereit, normalen oder plötzlichen Bewegungen wie z. B. Rückschlägen entgegenzuwirken und sie aufzufangen. Der Griff sollte sicher, aber geeignet sein, um die Gefahr von Vibrationen zu verringern, die schwere Verletzungen verursachen können.
- Achten Sie darauf, im Gleichgewicht und sicher zu stehen.
- Seien Sie bei der Arbeit mit pneumatischen Werkzeugen vorsichtig, weil diese kalt werden. Dadurch können Ihr Griff und Ihre Kontrolle über das Werkzeug beeinträchtigt werden.

- Treiben Sie keine Befestigungsmittel in unmittelbarer Nähe zur Kante der Arbeitsfläche ein.
- Das Befestigungsmittel könnte abprallen und Verletzungen verursachen.
- Unbeteiligte Personen müssen einen Sicherheitsabstand einhalten.
- Nehmen Sie eine deutliche Kennzeichnung Ihres Arbeitsbereichs vor.

- Trennen Sie das Werkzeug von der Druckluft, bevor Sie es warten, verklemmte Befestigungsmittel entfernen, Einstellungen am Werkzeug ändern, den Arbeitsbereich verlassen, das Werkzeug an einen anderen Standort transportieren oder das Werkzeug einer anderen Person übergeben.



- Das Werkzeug könnte ein Befestigungsmittel auswerfen, wenn es an die Druckluftversorgung abgeschlossen wird. ☹ Entfernen Sie deshalb alle Befestigungsmittel aus dem Werkzeug, bevor Sie die Druckluftleitung anschließen.
- Gehen Sie beim Laden/Entladen von Befestigungsmitteln vorsichtig vor. Die Befestigungsmittel sind spitz.

- Benutzen Sie das Werkzeug nie, wenn der Kontaktauslöser, Auslöser oder Federn funktionsuntüchtig sind, fehlen oder Schäden aufweisen. Sie dürfen den Kontaktauslöser, Auslöser oder die Federn nicht modifizieren oder entfernen.
- Modifikationen können die Wirksamkeit von Sicherheitsvorkehrungen beeinträchtigen und den Bediener und umstehende Personen einer erhöhten Gefahr aussetzen.
- Verwenden Sie das Werkzeug nicht, wenn es Schäden aufweist.

- Achten Sie darauf, dass alle Schrauben und Abdeckungen jederzeit fest angezogen sind. Inspizieren Sie den Auslöser und Kontaktauslöser täglich auf freie Beweglichkeit. Verwenden Sie das Werkzeug nie, wenn Teile fehlen, verschlissen oder beschädigt sind.

- Verwenden Sie immer den zweiten Griff (soweit enthalten).

- Verwenden Sie ausschließlich von SENCO empfohlene oder vertriebene Teile, Verbinder, Schmiermittel und Zubehörteile. Nehmen Sie keine nicht von SENCO autorisierten Modifikationen des Werkzeugs vor.

- Verwenden Sie ausschließlich trockene, saubere und geregelte Druckluft mit dem empfohlenen Druck.
- Schalten Sie die Luftzufuhr immer ab und trennen sie vom Werkzeug, wenn Sie es nicht benutzen.

- Werkzeuge dürfen nicht mit einem Druck verbunden werden, der um mehr als 10 % über dem maximalen Betriebsdruck liegt.
- Überschreiten Sie den maximalen Betriebsdruck P_s max. nicht.

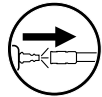
- Werkzeuge, die mit einem umgekehrten Dreieck gekennzeichnet sind, dürfen nur dann verwendet werden, wenn sie mit einem funktionsfähigen Kontaktauslöser ausgestattet sind.



- Werkzeuge ohne Kontaktauslöser könnten unbeabsichtigt ausgelöst werden und Verletzungen verursachen.

- Ständer für die Befestigung von Werkzeugen an einer Halterung müssen vom Ständerhersteller so konzipiert und konstruiert sein, dass das Werkzeug für den vorgesehenen Verwendungszweck sicher befestigt werden kann.

- Das Werkzeug und der Druckluftschlauch müssen einen Anschlussnippel aufweisen, bei dem durch Lösen der Kupplungsverbindung der gesamte Druck aus dem Werkzeug entfernt wird.
- Druckluft kann schwere Verletzungen verursachen.



- Trennen Sie das Werkzeug immer von der Druckluftversorgung, bevor Sie Zubehör austauschen, Einstellungen und/oder Reparaturen vornehmen oder sich von einem Arbeitsbereich in einen anderen Bereich bewegen.
- Richten Sie Druckluft niemals auf sich selbst oder andere Personen.
- Schlagende Schläuche können schweren Verletzungen verursachen – achten Sie jederzeit auf beschädigte oder lose Schläuche.

- Laden Sie das Werkzeug niemals mit Befestigungsmitteln, während der Auslöser oder Kontaktauslöser gedrückt sind.

- Verwenden Sie das Werkzeug nicht, wenn die Gefahrenhinweise auf dem Werkzeug fehlen. Wenn die Hinweise fehlen, beschädigt oder unleserlich sind, wenden Sie sich an Ihren SENCO-Vertreter, um ein neues Etikett anzufordern.



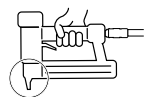
- Verwenden Sie niemals ein Werkzeug, aus dem Druckluft austritt oder das repariert werden muss.
- Verwenden Sie das Werkzeug nicht, wenn es Schäden aufweist.
- Tragen oder ziehen Sie ein pneumatisches Werkzeug niemals an der Luftleitung.

- Nehmen Sie keine provisorischen Reparaturen ohne angemessene Werkzeuge und Ausrüstung vor.
- Überprüfen Sie das Werkzeug vor dem Gebrauch immer auf gebrochene, falsch angeschlossene, lockere oder abgenutzte Teile.



Vor allen Änderungen am Werkzeug ist eine schriftliche Genehmigung des Werkzeugherstellers einzuholen.

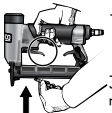

- Halten Sie Hände und andere Körperteile von dem im Kreis abgebildeten Bereich fern, um Verletzungsrisiken während des Betriebs zu vermeiden.
- Halten Sie die Finger vom Auslöser fern, wenn Sie das Werkzeug nicht bedienen und wenn Sie von einer Arbeitshaltung in eine andere wechseln.



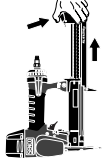
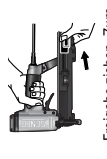
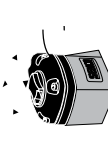







GEBRAUCH DES WERKZEUGS

DE

Werkzeug	Laden	Entladen	Abluft	Auslösertyp	Optionale Automatikauflösung	Einstellung der Eintreibtiefe	Staubeseitigung	Sicherheitsselement	
SFT10XP	Zufuhr von unten (A1)	Freigabe an der Werkzeugrückseite (B1)	Hinten	Einfach (D1)	(E1)	Nicht vorhanden	Über das Magazin	Nicht vorhanden	
SFT10XP-LIN		Freigabe am Magazin (B2)		Dual					
SFT10XP-DL		Freigabe an der Werkzeugrückseite (B1)		Einfach (D1)	n.z.				
SFW09		Freigabe am Magazin (B2)			n.z.				
SFW05	Zuführung von oben (A2)	Freigabe ziehen. Zum Freigeben klopfen (B3)	Beweglich	Abzug unten (I)	(E2)	Nicht vorhanden	Klappe (F1)	Ja	
SKSXP			Einstellbar (C1)			Am Sicherungsfuß			
SNS41XP						Am Auslöseschacht			
NS20XP			Front			Am Sicherungsfuß			
NS20BXP	Zuführung von oben (A2)	Freigabe ziehen. Zum Freigeben klopfen (B3)	Einstellbar (C1)	Sequentiell (D1)	(E1)	An Kopplung	Klappe (F1)	Ja	
PS15XP									
PS20XP									
S0S55XP									
SLS25XP	Zufuhr von unten (A1)	Freigabe an der Werkzeugrückseite (B1)	Beweglich	Wählbar	n.z.	An Kopplung	Über das Magazin	Ja	
SLS20XP			Einstellbar (C1)						
SMS92			Hinten, einstellbar (C2)						
SLS18Mg			Einstellbar (C1)						
S150LS	Zuführung von oben (A2)	Freigabe ziehen. Zum Freigeben klopfen (B3)	Front	Einfach (D1)	n.z.	An Kopplung	Über das Magazin	Ja	
S150MS			Einstellbar (C1)						
WC330			Einstellbar (C1)						
WC360									

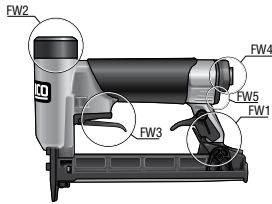
Matrixabbin-dungsnummer	Beschreibung	Hinweise zur Abbildung	Matrixabbin-dungsnummer	Beschreibung	Hinweise zur Abbildung
A1	 <p>Zufuhr von unten</p>	Niemals mit betätigtem Auslöser laden.	D1	 <p>Einfach</p>	<p>① Drücken Sie den Kontaktauslöser (Sicherheitselement) gegen die Arbeitsfläche.</p> <p>② Betätigen Sie den Auslöser und das Befestigungsmittel wird eingetrieben.</p>

<p>A2</p>  <p>Laden von oben</p>	<p>Laden Sie das Werkzeug niemals, während der Kontaktauslöser (Sicherheitselement) oder der Auslöser gedrückt sind.</p>
<p>B1</p>  <p>Freigabe an der Werkzeugrückseite</p>	<p>Verriegelung herunterdrücken, Magazinführung aufschieben</p>
<p>B2</p>  <p>Freigabe am Magazin</p>	<p>Verriegelung herunterdrücken, Magazinführung aufschieben</p>
<p>B3</p>  <p>Freigabe ziehen. Zum Freigeben klopfen</p>	<p>Ziehen Sie den Zuführschuh wieder in die „verriegelte“ Position zurück.</p>
<p>C1</p>  <p>Einstellbar</p>	<p>Der Deflektor kann gedreht werden, um die Richtung der Abluft zu ändern.</p>
<p>C2</p>  <p>Hinten, einstellbar</p>	<p>Der Deflektor kann gedreht werden, um die Richtung der Abluft zu ändern.</p>

<p>D2</p> 	<p>① Auslöser betätigen. ② Kontaktauslöser gegen die Arbeitsfläche drücken und Befestigungsmittel einreiben. Jedes Mal, wenn Sie den Kontaktauslöser (Sicherheitselement) gegen die Arbeitsfläche drücken, wird ein Befestigungsmittel eingetrieben.</p>
<p>E1</p>  <p>Optionale Automatikauslösung</p>	<p>Unten</p> <p>Diese Werkzeuge sind mit einer Einstellmöglichkeit für die Eintriebsgeschwindigkeit ausgestattet. Zum Einstellen der Geschwindigkeit drehen Sie die Schraube maximal drei Mal gegen den Uhrzeigersinn, um die Eintriebsgeschwindigkeit zu erhöhen. Drehen Sie die Schraube maximal drei Mal im Uhrzeigersinn, um die Eintriebsgeschwindigkeit zu reduzieren. Um einzelne Befestigungsmittel einzutreiben, betätigen Sie den Auslöser nur teilweise. Für den Automatikbetrieb drücken Sie den Auslöser komplett ein.</p>
<p>E2</p>  <p>Optionale Automatikauslösung</p>	<p>Dieses Werkzeuge ist mit einer Einstellmöglichkeit für die Eintriebsgeschwindigkeit ausgestattet. Zum Einstellen der Geschwindigkeit drehen Sie die Schraube maximal drei Mal gegen den Uhrzeigersinn (O), um die Eintriebsgeschwindigkeit zu erhöhen. Drehen Sie die Schraube maximal drei Mal im Uhrzeigersinn (P), um die Eintriebsgeschwindigkeit zu reduzieren.</p>
<p>F1</p>  <p>Klappe</p>	<p>E-Z Clear-Arretierung lösen und Klappe öffnen.</p>

WERKZEUGELEMENTE

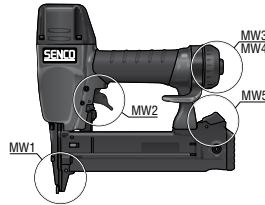
Klammergerät für dünne Klammern



FW1	Magazinfreigabe
FW2	Kappe
FW3	Auslöser
FW4	Anschluss
FW5	Abluft

Klammergerät für mittlere Klammern

Zufuhr von unten



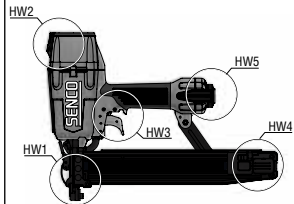
MW1	Kontaktauslöser
MW2	Auslöser
MW3	Abluft
MW4	Anschluss
MW5	Magazinfreigabe

Laden von oben



MW6	Führungsschuh
-----	---------------

Klammergerät für schwere Klammern



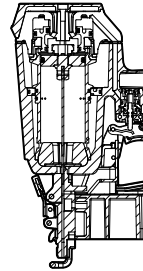
HW1	Kontaktauslöser
HW2	Abluft
HW3	Auslöser
HW4	Führungsschuh
HW5	Anschluss

WARTUNG

Achtung

- Andere als die hier beschriebenen Reparaturen dürfen nur von geschultem, qualifiziertem Personal durchgeführt werden. Informationen von SENCO erhalten Sie unter: +31 320 295 575.
- Lesen Sie den Abschnitt „Sicherheitshinweise“, bevor Sie das Werkzeug warten.
- Verwenden Sie nur vom Hersteller oder vom autorisierten Vertreter empfohlene Ersatzteile.
- Alle Schrauben sollten immer fest angezogen sein. Lockere Schraubverbindungen machen den Betrieb unsicher und können Schäden an Bauteilen verursachen.
- Monatlich überprüfen.
- Führen Sie eine tägliche Inspektion durch, während alle Verbindungen des Werkzeugs getrennt sind, um die Bewegungsfreiheit des Kontaktauslösers und des Auslösers zu überprüfen. Verwenden Sie das Werkzeug nicht, wenn der Kontaktauslöser oder der Auslöser klemmt oder schwergängig ist.
- Spritzen Sie zweimal täglich Senco-Pneumatiköl (5 bis 10 Tropfen) in die Luftzufuhr (abhängig von der Nutzungsfrequenz des Werkzeugs). Andere Ölsorten können Schäden an O-Ringen und anderen Werkzeuteilen verursachen.
- Einige Senco-Werkzeuge werden ölfrei betrieben und benötigen KEIN ÖL. Beachten Sie das Typenschild.
- Wischen Sie das Werkzeug täglich ab und prüfen Sie es auf Verschleiß. Verwenden Sie nur bei Bedarf nicht brennbare Reinigungslösungen.
- **Nicht eintauchen.**
- **Vorsicht:** Derartige Lösungen können Schäden an O-Ringen und anderen Werkzeuteilen verursachen.
- Entsorgen Sie die Reinigungsmaterialien ordnungsgemäß.

FEHLERBEHEBUNG



Wenn ein Stau von Befestigungsmitteln auftritt:

Luftzufuhr trennen.

Befestigungsmittel entnehmen.

Verklebte Befestigungsmittel entfernen.

Ladeverfahren durchführen.

SYMPTOM

Luftleck an der Oberseite des Werkzeugs. / Verzögerter Betrieb

1

ABHILFE

Luftzufuhr überprüfen / Schrauben anziehen oder Reparatursatz installieren - Siehe Ersatzteillhandbuch.

SYMPTOM

Luftleck an der Unterseite des Werkzeugs / Mangelhafte Rückführung.

2

ABHILFE

Werkzeug reinigen / Schrauben anziehen oder Reparatursatz installieren. Siehe Ersatzteillhandbuch.

SYMPTOM

Sonstige Probleme.

3

ABHILFE

Kontakt zu SENCO aufnehmen.

TECHNISCHE DATEN

Werkzeugtyp	Minimale bis maximaler Betriebsdruck	Luftverbrauch (bei 60 Zyklen pro Minute) in Litern	Druckluftinlass	Maximale Geschwindigkeit (Zyklen pro Sekunde)	Gewicht in kg	Kammerkapazität	Werkzeugabmessungen: Höhe in mm	Werkzeugabmessungen: Länge in mm	Werkzeugabmessungen: Breite: Hauptgerät in mm
Xtreme Pro Serie									
SFT10XP	4,5 - 7,0 bar	33,0	1/4 Zoll NPT	30 (Automatik)	0,96	180	167	218	42,0
SFT10XP-DL	4,5 - 7,0 bar	33,0	1/4 Zoll NPT	30 (Automatik)	1,31	180	167	376	42,0
SFT10XP-LN	4,5 - 7,0 bar	33,0	1/4 Zoll NPT	30 (Automatik)	0,92	180	207	218	42,0
SLS20XP	4,8 - 8,3 bar	54,4	1/4 Zoll NPT	10	1,10	168	216	305	51,0
SLS25XP	4,8 - 8,3 bar	54,4	1/4 Zoll NPT	10	1,21	168	229	305	50,0
SKSXP	4,8 - 8,3 bar	61,2	1/4 Zoll NPT	5	1,90	145	238	314	76,0
NS20XP	4,8 - 8,3 bar	113,0	3/8 Zoll NPT	10	2,31	160	279	381	89,0
NS20BXP	4,8 - 8,3 bar	136,0	3/8 Zoll NPT	10	2,64	160	279	381	102,0
SQS55XP	5,5 - 8,3 bar	185,0	3/8 Zoll NPT	15	2,70	130	305	365	92,0
SNS50XP	5,5 - 8,3 bar	185,0	3/8 Zoll NPT	15	2,70	160	305	365	92,0
PS15XP	4,8 - 8,3 bar	90,0	3/8 Zoll NPT	10	2,30	160	225	387	89,0
PS20XP	4,8 - 8,3 bar	97,0	3/8 Zoll NPT	10	2,40	160	225	387	89,0
Pro Serie									
SFW09	4,8 - 8,3 bar	21,8	1/4 Zoll NPT	15	2,00	110	151	241	49,0
SLS18MG	4,8 - 8,3 bar	68,0	1/4 Zoll NPT	5	1,17	110	241	260	63,5
SMS92	5,0 - 8,0 bar	55,5	1/4 Zoll NPT	3	1.858	160	274	310	78,0
SNS41	5,5 - 8,3 bar	153,0	3/8 Zoll NPT	12	2,10	160	273	381	86,0
WC330-SP	5,0 - 8,0 bar	175,6	3/8 Zoll NPT		5,85	120	400	397	133,0
WC360-SP	5,0 - 8,0 bar	261,0	3/8 Zoll NPT		6,25	120	400	470	138,0
SemiPro Serie									
SFW05	5,2 - 6,9 bar	27,0	1/4 Zoll NPT	5	0,90	100	163	229	45,0
S150LS	4,8 - 8,3 bar	54,4	1/4 Zoll NPT	5	1,46	100	227	249	68,0
S150MS	4,8 - 8,3 bar	54,4	1/4 Zoll NPT	5	1,46	100	227	249	68,0

KLAMMERSORTIMENT

DE

Werkzeugtyp	Klammertyp																
	A	AT	B	C	E	F	G	K	92	L	M	N	O	P	Q	S	SP
SFT10XP	6-16	6-16	6-16	6-16	6-16	6-16	6-16										
SFT10XP-DL		6-16	6-16	6-16		6-16	6-16										
SFT10XP-LN		6-16		6-16													
SLS20XP								13-25		10-38	10-38						
SLS25XP										10-38	10-38						
SKSXP										19-38	22-38	22-38					
NS20XP												25-50	25-50				
NS20BXP												25-50	25-50				
SQS55XP															32-65	44-90	
SNS50XP												32-50					
PS15XP														16-38			
PS20XP														22-50			
SFW09		6-16		6-16		6-16											
SLS18MG										10-38	10-38						
SMS92									18-40								
SNS41												25-50	25-50				
WC330-SP																	65-130
WC360-SP																	90-160
SFW05		6-16	6-16	6-16													
S150										10-38	10-38						

ANGABEN ZUM LÄRMPEGEL

Angaben zum Lärmpegel
gemäß EN12549

Diese Werte sind werkzeugbezogene Kennwerte und geben nicht den an der Verwendungsstelle auftretenden Lärmpegel an. Auch die Arbeitsplatzgestaltung kann zu einer Reduzierung des Lärmpegels beitragen, z. B. durch Ablegen des Werkstücks auf schalldämmenden Unterlagen.

Angaben zu Vibrationen
gemäß EN 292 Teil 1 und 2

Dieser Wert ist ein gerätebezogener Kennwert und stellt nicht die Einwirkung auf das Hand-Arm-System bei Verwendung des Werkzeugs dar.

DE

Werkzeugtyp	Schalldruckpegel (Lpa) dB	Schallleistungspegel (Lpa) dB	Vibrationspegel m/s ²
Xtreme Pro Serie			
SFT10XP	81,9	92,1	1,7
SFT10XP-DL	81,9	92,1	1,7
SFT10XP-LN	81,9	92,1	1,7
SLS20XP	80	87	< 2,5
SLS25XP	83	89	< 2,5
SKSXP	86	91	< 2,5
NS20XP	90	96	2,3
NS20BXP	90	96	2,7
SQS55XP	93	99	3,1
SNS50XP	93	99	3,1
PS15XP	90	96	2,3
PS20XP	90	96	2,7
Pro Serie			
SFW09	66,3	74,2	< 2,5
SLS18MG	84	91	< 2,5
SMS92	89,9	102,9	< 2,5
SNS41	84	92	< 2,5
WC330-SP	90	103	2,86
WC360-SP	91	104	3,51
SemiPro Serie			
SFW05	80	85	< 2,5
S150LS	88	101	< 2,5
S150MS	88	101	< 2,5

ZUBEHÖR

SENCO bietet ein umfassendes Zubehörsortiment für Ihre SENCO-Werkzeuge an:

- Druckluftkompressoren
- Schlauch
- Kupplungen
- Armaturen
- Schutzbrillen
- Manometer
- Schmiermittel
- Regler
- Filter



Weitere Informationen oder einen vollständigen illustrierten SENCO-Zubehörkatalog erhalten Sie unter SENCO.EU.

INHOUDSOPGAVE

Verantwoordelijkheid van de werkgever	23
Algemene beschrijving	23
Waarschuwingen	23
Veiligheidsvoorschriften	24
Gebruiksaanwijzing	26
Onderhoud.....	28
Probleemoplossing.....	28
Technische specificaties	29
Nietspecificaties.....	30
Geluid	31
Accessoires	31
Conformiteitsverklaring.....	132
Beperkte garantie	134

NL

VERANTWOORDELIJKHEID VAN DE WERKGEVER



De werkgever moet ervoor zorgen dat alle medewerkers die dit gereedschap gebruiken deze gebruiksaanwijzing zorgvuldig doorlezen en de inhoud goed begrijpen. Houd deze gebruiksaanwijzing bij de hand om hem later te kunnen raadplegen. Een risicobeoordeling en de invoering van geschikte controles voor alle gevaren zijn essentieel.

GEVAREN OP DE WERKPLEK

Het volgende is van toepassing:

- Uitglijden, struikelen en vallen zijn belangrijke oorzaken van letsel op de werkplek. U kunt uitglijden over gevallen nieten en struikelen over de luchtslang.
- Wees extra voorzichtig in een onbekende omgeving. Daar kunnen verborgen gevaren aanwezig zijn, zoals elektriciteitskabels of ander leidingwerk.
- Dit gereedschap is niet bedoeld voor gebruik in een mogelijk explosieve omgeving en is niet beveiligd tegen elektrisch contact.
- Controleer vooraf of er geen elektriciteitskabels, gasleidingen enz. aanwezig zijn die bij beschadiging door het gereedschap gevaar kunnen opleveren.

STOF EN UITLAAT

Als het gereedschap wordt gebruikt in een stofrijke omgeving, kan opwervend stof leiden tot een gevaarlijke situatie.

Het volgende is van toepassing:

- De risicobeoordeling dient onderscheid te maken tussen stof dat wordt geproduceerd door het gebruik van het gereedschap en de kans dat aanwezig stof opwervelt door het gebruik van het gereedschap.
- Richt de luchtafvoer zodanig dat in een stofrijke omgeving het stof zo min mogelijk wordt verstoord.
- Als ergens gevaar ontstaat door stof, dient dit zoveel mogelijk bij de emissiebron te worden opgelost.

ALGEMENE BESCHRIJVING

- Elektrische nietmachine bestaande uit een pneumatische aandrijving, een geleider plus magazijn, waarbij de energie zorgt voor een lineaire beweging naar een niet in het apparaat die met kracht in een bepaald materiaal wordt geschoten met uitzondering van speciale nieten voor gebruik in beton of metaal.
- Elke ander gebruik is verboden.

WAARSCHUWINGEN

Gereedschap waarop dit pictogram aanwezig is, mag alleen worden gebruikt voor productiedoelinden. Elke ander gebruik is verboden.



- Houd uw vinger niet op de trekker als u het apparaat meeneemt naar de werkplek of als u het draagt terwijl u loopt. U kunt het dan onbedoeld inschakelen. Beschikt het apparaat over selectieve bediening, controleer dan altijd eerst of de juiste stand is geselecteerd.
- Het apparaat kan worden ingesteld op individuele contactactivering of continue contactactivering door middel van een keuzeschakelaar. Het kan ook beschikken over alleen individuele of continue contactactivering en gemarkeerd zijn met bovenstaand pictogram. Het gereedschap is bedoeld voor productietoepassingen, zoals pallets, meubilair, omkastingen, bekleding en beplating.
- Gebruikt u het gereedschap in de stand individuele activering, controleer dan altijd eerst of de juiste stand is geselecteerd.
- Staat het apparaat in de stand continue contactactivering, gebruik het dan niet voor bijvoorbeeld het sluiten van dozen of kratten en het monteren van transportbeveiligingsystemen op aanhangwagens en vrachtwagens.
- Wees voorzichtig als u van werkplek verandert.

VEILIGHEIDSVOORSCHRIFTEN

- Lees deze waarschuwingen zorgvuldig door en zorg dat u ze begrijpt om letsel aan uzelf en omstanders te voorkomen. Raadpleeg de hoofdstukken gebruiksaanwijzing, onderhoud en probleemoplossing voor meer informatie.



- Het niet opvolgen van de waarschuwingen kan leiden tot ernstig letsel.
- Gebruiksaanwijzing niet weggooien.

- Gebruikers en andere personen in de werkomgeving dienen een stootvaste veiligheidsbril te dragen met zijbeschermkappen. Het niet dragen van een veiligheidsbril kan tot ernstig letsel leiden. CE gelijkwaardig aan EN166



- Draag ook altijd andere persoonlijke beschermingsmiddelen zoals gehoorbescherming, handschoenen en een helm.
- Draag alleen handschoenen met voldoende gevoel waarmee u veilig de trekker en de stekknoppen kunt bedienen.
- Gebruikers en andere personen in de werkomgeving dienen gehoorbescherming te dragen.
- Onbeschermde blootstelling aan een hoog geluidsniveau kan leiden tot permanent gehoorverlies met arbeidsongeschiktheid als gevolg, en andere problemen zoals oorsuizen (piepen, zoemen of fluiten in het oor).



- Geschikte middelen om dit risico te beperken zijn onder andere dempingsmaterialen om 'galm' te voorkomen.
- Gebruik de juiste gehoorbescherming.
- Gebruik en onderhoud het apparaat zoals aanbevolen in deze instructies om onnodige toename van het geluidsniveau te voorkomen.
- Beschikt het apparaat over een geluidsdemper, zorg dan dat dit altijd op zijn plaats zit en goed functioneert als u het gereedschap gebruikt.

- Blootstelling aan trillingen kan leiden tot schade aan de zenuwen en de bloedtoevoer van de handen en armen, met arbeidsongeschiktheid als gevolg.
- Draag warme kleding bij het werken in koude omstandigheden, houd uw handen warm en droog.
- Ervaart u gevoelloosheid, tintelingen, pijn of witheid van de huid in uw vingers of handen, raadpleeg dan een gekwalificeerde arbodeskundige voor medisch advies over uw activiteiten in het algemeen.



- Gebruik en onderhoud het gereedschap zoals aanbevolen in deze instructies om onnodige toename van het trillingsniveau te voorkomen.
- Houd het apparaat licht, maar veilig vast. Het risico op trillingen neemt over het algemeen toe naarmate de grip steviger is.

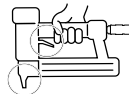
- Blijf alert, let op wat u doet en gebruik uw gezond verstand bij het bedienen van een elektrisch apparaat. Gebruik het apparaat niet als u moe bent of onder invloed van drugs, alcohol of medicijnen. Een moment van onoplettendheid bij het bedienen van elektrisch gereedschap kan leiden tot ernstig persoonlijk letsel.

- Sluit het apparaat alleen aan op de aangegeven spanning.
- Gebruik nooit zuurstof, koolstofdioxide of flessengas als energiebron voor dit apparaat. Het apparaat kan dan exploderen en ernstig letsel veroorzaken.



- Het gebruik van zuurstof of brandbare gassen in pneumatisch gereedschap veroorzaakt brand- of explosiegevaar.

- Haal uw vinger altijd van de trekker als u niet bezig bent nieten te schieten. Draag het apparaat nooit met de vinger op of onder de trekker. Als het contactpunt tegen het werkstuk stoot, wordt een niet weggeschoten.
- Gebruikt u het gereedschap niet, leg het dan op zijn zij en koppel de lucht los.
- Haal dan ook uw vinger van de trekker en verwijder het positioneringshulpstuk zodat het contactpunt niet onbedoeld kan worden geactiveerd.



- Ga er altijd van uit dat er nieten in het gereedschap zitten. Richt de schietmond van het apparaat nooit op uzelf of andere personen. Beschouw het gereedschap niet als speelgoed, maar als een hulpmiddel voor uw werk.
- Houd handen en benen uit de baan van de nieten.
- Alleen geschoold personeel mag de nietmachine gebruiken.

- Schiet alleen nieten in het werkkoppervlak en nooit in materiaal dat te hard is voor de nieten.
- Voor staal en beton is gereedschap met extra neerwaartse kracht nodig.
- Tijdens het gebruik mag afval van het werkstuk en het verzamelsysteem worden verwijderd.
- Houd het contactpunt altijd goed tegen het werkstuk en zorg dat het niet kan wegglijden.



- Gereedschap dat is uitgerust met contactactivering mag niet worden gebruikt:

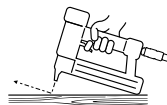
- Als u alleen via trappen, ladders of steigers een andere werkplek kunt bereiken.
- Voor het sluiten van dozen of kratten.
- Voor het monteren van transportbeveiligingssystemen.
- Op bewegende platforms.



- Lees het hoofdstuk Gebruiksaanwijzing zorgvuldig door om te begrijpen wat de risico's zijn van individuele activering.

- Forceer het apparaat niet. Laat het apparaat zelf het werk doen. Gebruik het juiste gereedschap voor uw toepassing. Het juiste gereedschap doet het werk beter en veiliger in het tempo waarvoor het is ontworpen.
- Reik niet te hoog.
- Sta stevig op uw voeten en behoud altijd uw evenwicht.

- Schiet geen nieten bovenop andere nieten of in een te scherpe hoek.
- De nieten kunnen dan verbuigen en letsel veroorzaken.



- Houd er rekening mee dat na het schieten van een niet de kans bestaat op terugslag. Als het contactpunt bij terugslag per ongeluk in contact komt met het werkstuk, wordt onbedoeld nog een niet weggeschoten. Zorg er daarom voor dat het apparaat tijdens de terugslag volledig los is van het werkoppervlak. Zet het contactpunt pas weer tegen het werkstuk als u een nieuwe niet wilt wegschieten.



- Houd het apparaat goed vast met een stevige greep en houd rekening met normale of plotselinge bewegingen zoals terugslag. De greep moet wel veilig zijn, maar ook niet te stevig dat het leidt tot overmatige trillingen die kunnen leiden tot ernstig letsel.
- Sta met de voeten stevig op de grond en houd uzelf in evenwicht.
- Ga voorzichtig om met pneumatische apparaten. Tijdens het gebruik wordt het gereedschap koud, waardoor u de grip en dus de controle over het apparaat kunt verliezen.

- Schiet geen nieten vlak langs de rand van het werkstuk.
- De nieten kunnen weggeschieten en letsel veroorzaken.
- Houd omstanders op afstand.
- Zet uw werkplek duidelijk af.

- Koppel het apparaat los van de luchttoevoer voor onderhoud, het verwijderen van een vastzittende niet of het wijzigen van instellingen en als u de werkplek verlaat om naar een andere werkplek te gaan of het gereedschap overhandigt aan iemand anders.



- Het apparaat kan een niet weggeschieten als het wordt aangesloten op de luchttoevoer. Verwijder daarom eerst alle nieten voordat u de luchtslang aansluit.
- Wees voorzichtig tijdens het laden en verwijderen van de nieten. Ze hebben een scherpe punt.

- Gebruik het apparaat niet als het contactpunt, de trekker of de veren niet werken, ontbreken of defect zijn. Probeer niet zelf het contactpunt, de trekker of de veren te manipuleren of te verwijderen.
- Aanpassingen kunnen de doeltreffendheid van de veiligheidsmaatregelen verminderen en het risico voor de gebruiker/omstanders verhogen.
- Gebruik het apparaat niet als het beschadigd is.

- Controleer altijd of alle schroeven en doppen goed vastzitten. Controleer elke dag of de trekker en het contactpunt vrij kunnen bewegen. Gebruik het apparaat niet als onderdelen ontbreken, versleten of beschadigd zijn.
- Maak altijd gebruik van de tweede handgreep (indien meegeleverd).

- Gebruik alleen onderdelen, nieten, smeermiddelen en accessoires die door SENCO worden aanbevolen of verkocht. Breng geen wijzigingen aan in het apparaat zonder toestemming van SENCO.

- Gebruik alleen schone, droge en regelbare perslucht op de aanbevolen druk.
- Sluit altijd de luchttoevoer af en koppel het apparaat los als u het niet gebruikt.

- Sluit het apparaat niet aan op persdruk die de maximale werkdruk met 10% kan overschrijden.
- Overschrijd de maximale werkdruk Ps max. niet.

- Apparaten die zijn gemarkeerd met een omgekeerde driehoek mogen niet gebruikt worden, tenzij ze zijn voorzien van een goed contactpunt.
- Apparaten zonder contactpunt kunnen onbedoeld een niet wegschieten en letsel veroorzaken.



- Als het apparaat op een standaard wordt geplaatst voor montage op een steun, dient de standaard zodanig te zijn samengesteld door de fabrikant dat het gereedschap veilig kan worden bevestigd en gebruikt voor het beoogde doel.

- Het apparaat en de luchtslang moeten via een nippel zodanig aan elkaar zijn gekoppeld dat alle druk van het apparaat wordt verwijderd als de koppeling wordt losgemaakt.



- Perslucht kan ernstig letsel veroorzaken.
- Koppel het apparaat altijd los van de persluchttoevoer door u accessoires verwisselt, aanpassingen en/of reparaties uitvoert of wanneer u zich verplaatst van de ene werkplek naar de andere.
- Richt nooit perslucht op uzelf of op andere personen.
- Een zwiepende slang kan ernstig letsel veroorzaken; controleer altijd of de slang vastzit en onbeschadigd is.

- Laad geen nieten in het apparaat terwijl de trekker of het contactpunt ingedrukt zijn.

- Gebruik het gereedschap niet zonder gevarenlabel. Als het label ontbreekt, beschadigd of onleesbaar is, neem dan contact op met uw SENCO-vertegenwoordiger voor een nieuw label.



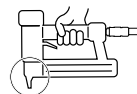
- Gebruik nooit een apparaat dat lucht lekt of gerepareerd moet worden.
- Gebruik het apparaat niet als het beschadigd is.
- Draag of versleep het apparaat nooit aan de luchtslang.

- Verricht nooit een 'noodreparatie' zonder de juiste hulpmiddelen en uitrusting.
- Controleer het apparaat voor gebruik altijd op defecte, verkeerd aangesloten, losse of versleten onderdelen.



Voor het aanbrengen van wijzigingen aan het gereedschap is voorafgaande schriftelijke toestemming van de fabrikant vereist.



- Houd handen en andere lichaamsdelen uit de buurt van het gebied dat in de cirkel is aangegeven om mogelijk letsel tijdens het gebruik te voorkomen.
- Houd uw vingers uit de buurt van de trekker wanneer u het apparaat niet bedient en wanneer u van de ene naar de andere werkplek gaat.

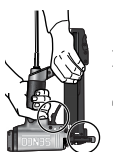

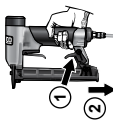

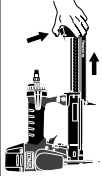

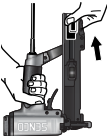

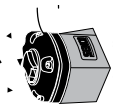



GEBRUIKSAANWIJZING

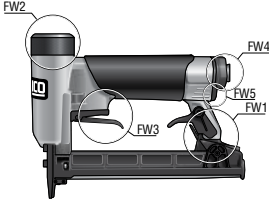
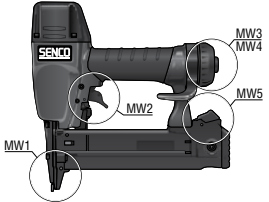
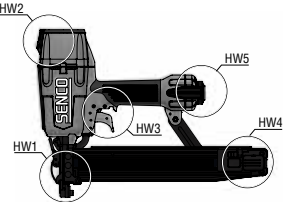

NL

Machine	Laden	Verwijderen	Uitlaat	Type trekker	Automatisch nieten	Schietdiepte instelling	Vaszitters verwi- deren	Veiligheidssele- ment
SFT10XP		Ontgrendelen aan de achterzijde (B1)		Enkel (D1)	(E1)			
SFT10XP-LN		Ontgrendelen bij magazijn (B2)	Achterzijde	Dubbel		Geen	Via magazijn	Geen
SFT10XP-DL	Onderlader (A1)	Ontgrendelen aan de achterzijde (B1)		Enkel (D1)	nvt			
SFW09		Ontgrendelen bij magazijn (B2)	Verplaatsbaar			Geen		
SFW05			Instelbaar (C1)		nvt			
SKSXP								
SNS41XP								
NS20XP								
NS20BXP		Trek aan de invoerhendel. Tik om te ontgrendelen (B3)	Voorzijde	Schietopening onderzijde (I)	(E2)	Bij veiligheidsvoet	Klep (F1)	Ja
PS15XP	Bovenlader (A2)							
PS20XP								
SQS55XP			Instelbaar (C1)					
SLS25XP								
SLS20XP	Bovenlader (A2)	Trek aan de invoerhendel. Tik om te ontgrendelen (B3)	Verplaatsbaar	Sequentieel (D1)	(E1)		Klep (F1)	Ja
SMS92			Instelbaar (C1)		nvt			
SLS18Mg			Achterzijde, instelbaar (C2)					
S150LS	Onderlader (A1)	Ontgrendelen aan de achterzijde (B1)	Instelbaar (C1)	Selecteerbaar	nvt		Via magazijn	Ja
S150MS			Instelbaar (C1)	Enkel (D1)				
WC330								
WC360	Bovenlader (A2)	Trek aan de invoerhendel. Tik om te ontgrendelen (B3)	Voorzijde	Enkel (D1)	nvt		Via magazijn	Ja

Schema afbeelding nr	Omschrijving	Opmerkingen	Schema afbeelding nr	Omschrijving	Opmerkingen
A1	 Onderlader	Niet laden bij ingedrukte trekker	D1	 Enkel	<ol style="list-style-type: none"> 1 Druk het contactpunt (veiligheids-element) tegen het werkstuk. 2 Haal de trekker over om de niet weg te schieten.

<p>A2</p>  <p>Bovenlader</p>	<p>Niet laden bij ingedrukt contactelement (veiligheidsselement) of ingedrukte trekker</p>	<p>D2</p>  <p>Onderzijde</p>	<p>1 Haal de trekker over. 2 Druk het contactpunt tegen het werkstuk en schiet een niet weg. Telkens wanneer u het contactelement (veiligheidsselement) tegen het werkstuk duwt, wordt een niet weggeschoten.</p>
<p>B1</p>  <p>Ontgrendelen aan de achterzijde</p>	<p>Druk de vergrendeling naar beneden, schuif de geteldearm naar achteren</p>	<p>E1</p>  <p>Automatisch nielen</p>	<p>Dit gereedschap is voorzien van een instelling voor de nietsnelheid. Draai de schroef maximaal drie slagen naar links om de nietsnelheid te verhogen. Draai de schroef maximaal drie slagen naar rechts om de nietsnelheid te verlagen. Druk de trekker gedeeltelijk in om de nielen een voor een weg te schieten. Druk de trekker volledig in voor automatisch nielen.</p>
<p>B2</p>  <p>Ontgrendelen bij magazijn</p>	<p>Druk de vergrendeling naar beneden, schuif de geteldearm naar achteren</p>	<p>E2</p>  <p>Automatisch nielen</p>	<p>Dit gereedschap is voorzien van een instelling voor de nietsnelheid. Draai de schroef maximaal drie slagen naar links (O) om de nietsnelheid te verhogen. Draai de schroef maximaal drie slagen naar rechts (P) om de nietsnelheid te verlagen.</p>
<p>B3</p>  <p>Trek aan de invoerhendel. Tik om te ontgrendelen</p>	<p>Trek de toevoerschoen terug naar de vergrendelde positie.</p>	<p>F1</p>  <p>Klep</p>	<p>MaaK E-Z los. Ontgrendel de klep en open het magazijn.</p>
<p>C1</p>  <p>Instelbaar</p>	<p>Verdraai de uitlaat om de richting van de uitgeblazen lucht te wijzigen.</p>		
<p>C2</p>  <p>Achterzijde, instelbaar</p>	<p>Verdraai de uitlaat om de richting van de uitgeblazen lucht te wijzigen.</p>		

ONDERDELEN

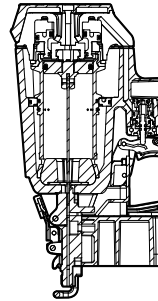
Fine Wire nietmachine	Medium Wire nietmachine	Heavy Wire nietmachine
	<p>Onderlader</p> 	
<p>FW1 zijn Ontgrendeling maga-</p> <p>FW2 Kap</p> <p>FW3 Trekker</p> <p>FW4 Inlaat</p> <p>FW5 Luchtafvoer</p>	<p>MW1 Neus</p> <p>MW2 Trekker</p> <p>MW3 Luchtafvoer</p> <p>MW4 Inlaat</p> <p>MW5 Ontgrendeling magazijn</p> <p>Bovenlader</p>  <p>MW6 Toevoerschoen</p>	<p>HW1 Neus</p> <p>HW2 Luchtafvoer</p> <p>HW3 Trekker</p> <p>HW6 Toevoerschoen</p> <p>HW5 Inlaat</p>

ONDERHOUD

Waarschuwing

- Verricht alleen onderstaand onderhoud zelf en laat alle andere reparaties verrichten door opgeleid en gekwalificeerd personeel. Neem hiervoor contact op met SENCO: +31 320 295 575.
- Lees het hoofdstuk "Veiligheidsvoorschriften" voordat u onderhoudswerkzaamheden verricht.
- Gebruik alleen de door de fabrikant of een erkende vertegenwoordiger gespecificeerde reserveonderdelen.
- Alle schroeven moeten goed vastzitten. Losse schroeven leiden tot onveilig werken en het breken van onderdelen.
- Controleer maandelijks
- Controleer elke dag of het contactelement en de trekker soepel kunnen bewegen. Koppel daarvoor eerst het gereedschap af. Gebruik het gereedschap niet als het contactelement of de trekker blijft hangen en niet soepel loopt.
- Spuit tweemaal per dag SENCO pneumatische olie (5 à 10 druppels) in de luchtinlaat (al naar gelang de gebruiksfrequentie). Een ander type olie kan de O-ringen en andere onderdelen beschadigen.
- Sommige SENCO gereedschappen zijn Oil Free en hebben dus GEEN olie nodig. Controleer hiervoor het label.
- Maak het gereedschap dagelijks schoon en controleer het op slijtage. Gebruik alleen niet-ontvlambare reinigingsmiddelen.
- **Niet onderdompelen.**
- **Let op:** Door onderdompelen kunnen de O-ringen en andere onderdelen beschadigd raken.
- Gooi de reinigingsmiddelen op de juiste wijze weg.

PROBLEEMOPLOSSING



In het geval van vastzittende nieten:

- Koppel de luchttoevoer los
- Verwijder de nieten uit het magazijn
- Haal de vastzittende nieten weg
- Plaats de nieten weer in het magazijn

1	<p>SYMPTOOM Lucht lekt bovenaan het apparaat. / trage werking</p> <p>OPLOSSING Controleer de luchttoevoer / draai de schroeven aan of installeer onderdelenset – Zie Handleiding onderdelen</p>
2	<p>SYMPTOOM Lucht lekt onderaan het apparaat / slecht resultaat.</p> <p>OPLOSSING Reinig het gereedschap / draai de schroeven aan of installeer onderdelenset Zie Handleiding onderdelen</p>
3	<p>SYMPTOOM Overige problemen.</p> <p>OPLOSSING Neem contact op met SENCO.</p>

TECHNISCHE SPECIFICATIES

Type gereedschap	Minimum-maximum werkdruk	Luchtverbruik in liters (bij 60 schoten per minuut)	Luchtinlaat	Maximale snelheid (schoten per seconde)	Gewicht in kg	Aantal nieten in magazijn	Afmetingen: Hoogte in mm	Afmetingen: Lengte in mm	Afmetingen: Breedte: Behuizing in mm
XtremePro Serie									
SFT10XP	4,5-7,0 bar	33,0	1/4 in NPT	30 (auto)	0,96	180	167	218	42,0
SFT10XP-DL	4,5-7,0 bar	33,0	1/4 in NPT	30 (auto)	1,31	180	167	376	42,0
SFT10XP-LN	4,5-7,0 bar	33,0	1/4 in NPT	30 (auto)	0,92	180	207	218	42,0
SLS20XP	4,8-8,3 bar	54,4	1/4 in NPT	10	1,10	168	216	305	51,0
SLS25XP	4,8-8,3 bar	54,4	1/4 in NPT	10	1,21	168	229	305	50,0
SKSXP	4,8-8,3 bar	61,2	1/4 in NPT	5	1,90	145	238	314	76,0
NS20XP	4,8-8,3 bar	113,0	3/8 in NPT	10	2,31	160	279	381	89,0
NS20BXP	4,8-8,3 bar	136,0	3/8 in NPT	10	2,64	160	279	381	102,0
SQS55XP	5,5-8,3 bar	185,0	3/8 in NPT	15	2,70	130	305	365	92,0
SNS50XP	5,5-8,3 bar	185,0	3/8 in NPT	15	2,70	160	305	365	92,0
PS15XP	4,8-8,3 bar	90,0	3/8 in NPT	10	2,30	160	225	387	89,0
PS20XP	4,8-8,3 bar	97,0	3/8 in NPT	10	2,40	160	225	387	89,0
Pro Serie									
SFW09	4,8-8,3 bar	21,8	1/4 in NPT	15	2,00	110	151	241	49,0
SLS18MG	4,8-8,3 bar	68,0	1/4 in NPT	5	1,17	110	241	260	63,5
SMS92	5,0-8,0 bar	55,5	1/4 in NPT	3	1.858	160	274	310	78,0
SNS41	5,5-8,3 bar	153,0	3/8 in NPT	12	2,10	160	273	381	86,0
WC330-SP	5,0-8,0 bar	175,6	3/8 in NPT		5,85	120	400	397	133,0
WC360-SP	5,0-8,0 bar	261,0	3/8 in NPT		6,25	120	400	470	138,0
SemiPro Serie									
SFW05	5,2-6,9 bar	27,0	1/4 in NPT	5	0,90	100	163	229	45,0
S150LS	4,8-8,3 bar	54,4	1/4 in NPT	5	1,46	100	227	249	68,0
S150MS	4,8-8,3 bar	54,4	1/4 in NPT	5	1,46	100	227	249	68,0

NL

NIETSPECIFICATIES

NL

Type gereedschap	Type niet																	
	A	AT	B	C	E	F	G	K	92	L	M	N	O	P	Q	S	SP	
SFT10XP	6-16	6-16	6-16	6-16	6-16	6-16	6-16											
SFT10XP-DL		6-16	6-16	6-16		6-16	6-16											
SFT10XP-LN		6-16		6-16														
SLS20XP								13-25		10-38	10-38							
SLS25XP										10-38	10-38							
SKSXP										19-38	22-38	22-38						
NS20XP												25-50	25-50					
NS20BXP												25-50	25-50					
SQS55XP																32-65	44-90	
SNS50XP												32-50						
PS15XP															16-38			
PS20XP														22-50				
SFW09		6-16		6-16		6-16												
SLS18MG										10-38	10-38							
SMS92									18-40									
SNS41												25-50	25-50					
WC330-SP																	65-130	
WC360-SP																	90-160	
SFW05		6-16	6-16	6-16														
S150										10-38	10-38							

GELUID

Geluidsniveau overeenkomstig EN12549	Deze waarden zijn kenmerkend voor het gereedschap zelf en niet voor het geluid dat ontstaat op het werkstuk. De inrichting van de werkplek kan helpen het geluidsniveau te verlagen, bijvoorbeeld plaatsing van het werkstuk op een geluiddempende ondergrond.
Trillingsniveau overeenkomstig EN 292 Deel 1 & 2	Deze waarde is kenmerkend voor het gereedschap zelf en houdt geen rekening met de invloed op hand en arm bij gebruik van het gereedschap.

Type gereedschap	Geluidsdrukniveau (Lpa) dB	Geluidsvermogniveau (Lwa) dB	Trillingsniveau m/s ²
XtremePro Serie			
SFT10XP	81,9	92,1	1,7
SFT10XP-DL	81,9	92,1	1,7
SFT10XP-LN	81,9	92,1	1,7
SLS20XP	80	87	<2,5
SLS25XP	83	89	<2,5
SKSXP	86	91	<2,5
NS20XP	90	96	2,3
NS20BXP	90	96	2,7
SQS55XP	93	99	3,1
SNS50XP	93	99	3,1
PS15XP	90	96	2,3
PS20XP	90	96	2,7
Pro Serie			
SFW09	66,3	74,2	<2,5
SLS18MG	84	91	<2,5
SMS92	89,9	102,9	<2,5
SNS41	84	92	<2,5
WC330-SP	90	103	2,86
WC360-SP	91	104	3,51
SemiPro Serie			
SFW05	80	85	<2,5
S150LS	88	101	<2,5
S150MS	88	101	<2,5

ACCESSOIRES

SENCO biedt een volledig assortiment accessoires voor uw SENCO-gereedschappen, inclusief:

- Luchtcompressoren
- Slangen
- Koppelingen
- Aansluitingen
- Veiligheidsbrillen
- Manometers
- Smeermiddelen
- Regelaars
- Filters

Voor meer informatie of een complete geïllustreerde catalogus van SENCO-accessoires, ga naar SENCO.EU



TABLE DES MATIÈRES

Responsabilités de l'employeur.....	33
Description générale.....	33
Avertissements.....	33
Avertissements de sécurité.....	34
Utilisation de l'outil.....	36
Entretien.....	38
Dépannage.....	38
Spécifications techniques.....	39
Gamme d'agrafes.....	40
Informations sur le niveau de bruit.....	41
Accessoires.....	41
Déclaration de conformité.....	132
Garantie limitée.....	134

FR

RESPONSABILITÉS DE L'EMPLOYEUR



Il incombe à l'employeur de s'assurer que ce manuel est lu et compris par tout le personnel chargé d'utiliser l'outil. Conservez ce manuel à portée de main pour consultation ultérieure.

L'évaluation des risques et la mise en œuvre de contrôles appropriés pour tous les dangers sont essentielles.

DANGERS PROFESSIONNELS

Les consignes suivantes s'appliquent :

- Les glissades, les trébuchements et les chutes sont des causes majeures d'accidents du travail. Faites attention aux surfaces glissantes causées par l'utilisation de l'outil ainsi qu'aux risques de trébuchement causés par le tuyau d'air.
- Procédez avec plus de prudence dans un environnement inconnu. Il peut exister des dangers cachés, comme les lignes électriques ou autres conduites.
- Cet outil n'est pas destiné à être utilisé dans des atmosphères potentiellement explosives et n'est pas isolé du contact avec le courant électrique.
- Assurez-vous qu'il n'y a pas de câbles électriques, de conduites de gaz, etc. qui pourraient présenter un danger s'ils étaient endommagés par l'utilisation de l'outil.

DANGERS LIÉS À LA POUSSIÈRE ET À L'ÉCHAPPEMENT

Si l'outil est utilisé dans une zone où il y a de la poussière statique, il peut perturber la poussière et causer un danger.

Les consignes suivantes s'appliquent :

- L'évaluation des risques devrait inclure la poussière créée par l'utilisation de l'outil et la possibilité de perturber la poussière existante.
- Dirigez l'échappement de manière à réduire au minimum la perturbation de poussière dans un environnement rempli de poussière.
- Lorsque des dangers liés à la poussière ou à l'échappement sont présents, la priorité doit être donnée à leur maîtrise au point d'émission.

DESCRIPTION GÉNÉRALE

- Outil manuel électrique de clouage composé d'une unité pneumatique, d'un corps de guidage et d'un magasin dans lequel de l'énergie est appliquée en un mouvement linéaire à un clou chargé afin d'enfoncer celui-ci dans des matériaux définis, à moins d'utiliser un clou spécial destiné à être utilisé dans le béton ou l'acier.
- Toute autre utilisation est interdite.

AVERTISSEMENTS


Les outils marqués d'un symbole ne doivent être utilisés que pour des applications de production.


Toute autre utilisation est interdite.


- Ne posez pas votre doigt sur la gâchette lorsque vous prenez l'outil, passez d'une zone d'opération à une autre ou marchez, car le fait de poser votre doigt sur la gâchette peut entraîner un actionnement involontaire. Pour les outils à actionnement sélectif, vérifiez toujours l'outil avant utilisation pour vous assurer que le mode de fonctionnement correct est sélectionné.
- Cet outil dispose soit d'un actionnement sélectif pour l'actionnement par contact, soit d'un actionnement continu par contact via un sélecteur de mode d'actionnement, ou est un outil à actionnement par contact ou à actionnement continu par contact et a été marqué du symbole ci-dessus. Il est destiné à des applications de production telles que les palettes, les meubles, les encastrement, les rembourrages et les revêtements.
- Si vous utilisez cet outil en mode d'actionnement sélectif, assurez-vous toujours qu'il est réglé sur le mode d'actionnement correct.
- Ne pas utiliser cet outil en actionnement par contact pour des applications telles que la fermeture de boîtes ou de caisses et l'installation de systèmes de sécurité de transport sur les remorques et camions.
- Soyez prudent lorsque vous passez d'un endroit à un autre.




AVERTISSEMENTS DE SÉCURITÉ

- Lisez et comprenez ces avertissements pour éviter de vous blesser et de blesser les personnes présentes. Pour plus d'informations, consultez les sections sur l'utilisation, l'entretien et le dépannage de l'outil. 
- Le non-respect des avertissements peut entraîner des blessures graves.
- Ne les ignorez pas.

- Les utilisateurs et autres personnes se trouvant dans la zone de travail doivent porter des lunettes de protection résistantes aux chocs et munies de protections latérales. Le non-respect de cette consigne peut provoquer des blessures graves. CE équivalent à EN166 

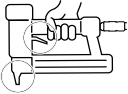
- Portez toujours d'autres équipements de protection individuelle tels qu'un casque de protection auditive, des gants et un casque de protection. 
- Ne portez que des gants qui procurent une sensation adéquate et un contrôle sécuritaire des gâchettes et des dispositifs de réglage.
- Les utilisateurs et autres personnes se trouvant dans la zone de travail doivent porter des protections auditives.
- Une exposition non protégée à des niveaux de bruit élevés peut causer une perte auditive permanente et invalidante et d'autres problèmes tels que des acouphènes (tintements, vrombissements, sifflements ou bourdonnements d'oreilles).
- Des mesures appropriées visant à réduire le risque peuvent comprendre l'utilisation de matériaux amortissants pour empêcher les pièces d'émettre des tintements.
- Utilisez une protection auditive appropriée.
- Utilisez et entretenez l'outil conformément aux recommandations de ces instructions, afin d'éviter une augmentation inutile des niveaux sonores.
- Si l'outil est équipé d'un silencieux, assurez-vous toujours que celui-ci est bien en place et en bon état de fonctionnement lorsque l'outil est utilisé.

- L'exposition aux vibrations peut causer des dommages invalidants aux nerfs et à l'apport sanguin au niveau des mains et des bras. 
- Portez des vêtements chauds lorsque vous travaillez par temps froid, gardez vos mains au chaud et au sec.
- Si vous ressentez des engourdissements, des picotements, des douleurs ou si vous constatez un blanchiment de la peau de vos doigts ou de vos mains, consultez un professionnel de la santé qualifié en matière d'activités professionnelles.
- Utilisez et entretenez l'outil conformément aux recommandations de ces instructions, afin d'éviter une augmentation inutile des niveaux de vibration.
- Tenez l'outil avec une poigne légère, mais sûre, car le risque de vibration est généralement plus grand lorsque la force de poigne est plus élevée.

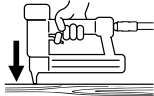
- Soyez vigilant, surveillez ce que vous faites et faites preuve de bon sens lorsque vous utilisez un outil électrique. N'utilisez pas l'outil si vous êtes fatigué ou sous l'influence de drogues, d'alcool ou de médicaments. Un moment d'inattention pendant l'utilisation d'outils électriques peut entraîner des blessures corporelles graves.

- Utilisez uniquement une alimentation en énergie adéquate conformément aux instructions.
- N'utilisez jamais d'oxygène, de dioxyde de carbone ou tout autre gaz en bouteille comme source d'énergie pour cet outil ; l'outil explosera et causera des blessures graves.
- L'utilisation d'oxygène ou de gaz combustibles pour les outils pneumatiques crée un risque d'incendie ou d'explosion.



- Retirez toujours le doigt de la gâchette lorsque vous n'enfoncez pas de clous. Ne portez jamais l'outil avec le doigt sur ou sous la gâchette. L'outil éjectera un clou si le palpeur de sécurité est heurté. 
- La position de repos de l'outil est posé sur son côté et déconnecté de l'air.
- La position de repos comprend le retrait du doigt de la gâchette et le positionnement de l'outil de manière à ce que le palpeur de sécurité ne soit pas déclenché.

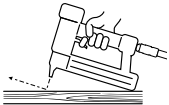
- Partez toujours du principe que l'outil contient encore des clous. Ne pointez jamais l'outil dans votre direction ni celle des autres. Ne jouez / chahutez jamais avec l'outil. Respectez l'outil comme instrument de travail.
- Gardez les mains et les jambes éloignées de la direction de tir.
- Seuls des utilisateurs compétents doivent utiliser des outils de clouage.

- Enfoncez des clous uniquement dans la surface de travail ; jamais dans des matériaux trop difficiles à pénétrer.
- Un effort d'appui supplémentaire est nécessaire pour les outils à acier et béton. 
- Pendant le fonctionnement, des débris provenant de la pièce de travail et du système de collecte peuvent être projetés.
- Assurez-vous que l'outil est toujours bien engagé sur la pièce et qu'il ne peut pas glisser.

- Ne pas utiliser d'outils équipés d'un « actionnement par contact » :
 - Si un changement de site de clouage a lieu via des escaliers, échelles ou échafaudages.
 - Pour fermer des boîtes ou des caisses.
 - Pour le montage de systèmes de sécurité de transport.
 - Plates-formes mobiles
- Lisez et comprenez les risques associés à l'actionnement sélectif dans la section « Utilisation de l'outil ».



- Ne forcez pas l'outil. Laissez l'outil faire le travail. Utilisez l'outil adapté à votre application. Un outil adapté fera mieux le travail et sera plus sûr au rythme pour lequel il a été conçu.
- Ne tendez pas le bras trop loin.
- Gardez toujours un bon appui au sol et un bon équilibre.

- N'enfoncez pas de clous sur d'autres clous, ou avec l'outil à un angle trop incliné.
- Le clou pourrait dévier et causer des blessures. 

- Lors de l'utilisation de l'outil, il faut faire attention à la possibilité d'un recul de l'outil après l'enfoncement d'un clou. Si le palpeur de sécurité entre de nouveau accidentellement en contact avec la surface de travail à la suite d'un rebond, il sera réarmé et un clou non désiré sera enfoncé. Par conséquent, laissez l'outil reculer complètement de la surface de travail après avoir enfoncé un clou pour éviter cette situation. Ne repositionnez le palpeur de sécurité contre la surface de travail que lorsque vous êtes prêt à enfoncer un second clou.



- Tenez bien l'outil avec une poignée ferme et soyez prêt à contrer et à gérer les mouvements normaux ou soudains tels que le recul. La prise en main doit être sûre mais appropriée pour réduire les risques de vibrations qui peuvent causer des blessures graves.
- Gardez une posture équilibrée et un bon appui au sol.
- Soyez prudent lorsque vous utilisez des outils pneumatiques car l'outil devient froid. Cela peut affecter la prise en main et la maîtrise de l'outil.

- N'enfonchez pas de clous près du bord de la surface de travail.
- Le clou pourrait dévier et causer des blessures.
- Tenez les personnes présentes à l'écart.
- Marquez clairement votre zone de travail.

- Débranchez l'outil de l'alimentation en air avant d'effectuer l'entretien de l'outil, de retirer un clou coincé, de faire des réglages, de quitter la zone de travail, de déplacer l'outil à un autre endroit ou de le remettre à une autre personne.
- L'outil peut éjecter un clou lorsqu'il est connecté à l'alimentation en air ; par conséquent, Ⓢ retirez tous les clous de l'outil avant de fixer le tuyau d'air.
- Soyez prudent lorsque vous manipulez les clous lors du chargement/déchargement. Les clous ont des pointes acérées.



- N'utilisez jamais l'outil si le palpeur de sécurité, la gâchette ou les ressorts sont inutilisables, manquants ou endommagés. Ne modifiez pas et ne retirez pas le palpeur de sécurité, la gâchette et les ressorts.
- Les modifications peuvent réduire l'efficacité des mesures de sécurité et accroître les risques pour l'utilisateur et les personnes présentes.
- N'utilisez pas l'outil si celui-ci a été endommagé.

- Assurez-vous que toutes les vis et tous les capuchons sont bien serrés en tout temps. Effectuez des inspections quotidiennes pour vérifier la liberté de mouvement de la gâchette et du palpeur de sécurité. N'utilisez jamais l'outil si des pièces sont manquantes, usées ou endommagées.
- Utilisez toujours la deuxième poignée (si fournie).

- N'utilisez que les pièces, clous, lubrifiants et accessoires recommandés ou vendus par SENCO. Ne modifiez pas l'outil sans l'autorisation de SENCO.

- N'utilisez que de l'air comprimé propre, sec et régulé à la pression recommandée.
- Fermez toujours l'alimentation en air et débranchez l'outil lorsqu'il n'est pas utilisé.

- Les outils ne doivent pas être raccordés à une pression susceptible de dépasser de 10 % la pression de service maximale.
- Ne dépassez pas la pression de service maximale (PS max).

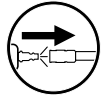
- Les outils marqués d'un triangle inversé ne peuvent être utilisés que s'ils sont équipés d'un palpeur de sécurité valable.



- Les outils sans palpeur de sécurité peuvent être déclenchés involontairement et provoquer des blessures.

- Les supports pour le montage des outils sur un support doivent être conçus et construits par le fabricant du support de manière à ce que l'outil puisse être fixé de manière sûre pour l'utilisation prévue.

- L'outil et le tuyau d'alimentation en air doivent être munis d'un raccord de telle sorte que toute pression soit retirée de l'outil lorsque le raccord d'accouplement est débranché.



- L'air comprimé peut provoquer des blessures graves.
- Débrancher toujours l'outil de l'alimentation en air comprimé avant de changer d'accessoires, d'effectuer des réglages et/ou des réparations, ou de passer d'une zone de travail à une autre.
- Ne dirigez jamais l'air comprimé vers vous-même ou vers quelqu'un d'autre.
- Un tuyau qui fouette peut causer des blessures graves - vérifiez toujours que le tuyau n'est pas endommagé ou desserré.

- Ne chargez pas les clous avec la gâchette ou le palpeur de sécurité enfoncés.

- N'utilisez pas l'outil sans étiquette de danger sur l'outil. Si l'étiquette est manquante, endommagée ou illisible, contactez votre représentant SENCO pour obtenir une nouvelle étiquette.

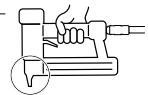


- N'utilisez jamais un outil qui présente une fuite d'air ou qui a besoin d'être réparé.
- N'utilisez pas l'outil s'il est endommagé.
- Ne jamais porter ou traîner un outil pneumatique par son tuyau.



- N'effectuez aucune réparation d'urgence sans les outils et l'équipement appropriés.
- Vérifiez toujours que l'outil ne présente aucune pièce cassée, mal raccordée, desserrée ou usée avant utilisation.

L'autorisation écrite du fabricant de l'outil doit être obtenue avant d'apporter toute modification à l'outil.

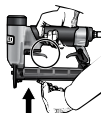






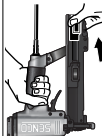
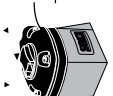

- Gardez les mains et autres parties du corps éloignées de la zone indiquée dans le cercle pour éviter tout risque de blessure pendant le fonctionnement.
- Gardez les doigts éloignés de la gâchette lorsque vous n'utilisez pas l'outil et lorsque vous vous déplacez d'une position de travail à une autre.





UTILISATION DE L'OUTIL

FR

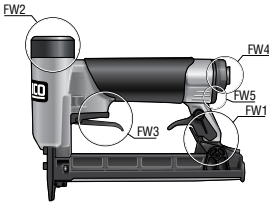
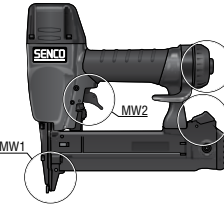

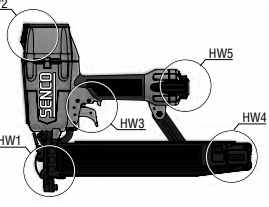
Outil	Chargement	Déchargement	Échappement	Type de déclenchement	Option dé-clenchement automatique	Réglage de la profondeur d'enfoncement	Désenrayage	Dispositif de sécurité	
SFT10XP	Chargement par le bas (A1)	Déchargement à l'arrière de l'outil (B1)	Arrière	Unique (D1)	(E1)	Aucun	Via magasin	Aucun	
SFT10XP-LN		Déchargement au niveau du magasin (B2)							
SFT10XP-DL		Déchargement à l'arrière de l'outil (B1)		Double					
SFW09		Déchargement au niveau du magasin (B2)		Unique (D1)	NA	Via magasin	Aucun		
SFW05	Chargement par le haut (A2)	Tirer le chargeur. Taper pour décharger (B3)	Avant	Détenue par contact (I)	(E2)	Aucun	Portique (F1)	Oui	
SKSXP									Moblie
SNS41XP									Réglable (C1)
NS20XP									
NS20BXP	Chargement par le haut (A2)	Tirer le chargeur. Taper pour décharger (B3)	Avant	Détenue par contact (I)	(E2)	Aucun	Portique (F1)	Oui	
PS15XP									
PS20XP									
S0S55XP	Chargement par le haut (A2)	Tirer le chargeur. Taper pour décharger (B3)	Mobile	Séquentiel (D1)	(E1)	Aucun	Portique (F1)	Oui	
SLS25XP									Réglable (C1)
SLS20XP									
SMS92	Chargement par le bas (A1)	Déchargement à l'arrière de l'outil (B1)	Arrière, réglable (C2)	Sélectif	NA	Aucun	Via magasin	Oui	
SLS18Mg									Réglable (C1)
S150LS									
S150MS	Chargement par le haut (A2)	Tirer le chargeur. Taper pour décharger (B3)	Avant	Unique (D1)	NA	Aucun	Via magasin	Oui	
WC330									Réglable (C1)
WC360									

N° d'illustration du schéma	Description	Remarque	N° d'illustration du schéma	Description	Remarque
A1	 <p>Chargement par le bas</p>	Ne pas charger avec la gâchette enfoncée	D1	 <p>Unique</p>	<p>① Presser le palpeur de sécurité (dispositif de sécurité) contre la surface de travail.</p> <p>② Appuyer sur la gâchette pour enfoncer l'attache.</p>

A2	 <p>Chargement par le haut</p>	Ne pas charger avec le palpeur de sécurité (dispositif de sécurité) ou la gâchette enfoncés
B1	 <p>1 2</p> <p>Déchargement à l'arrière de l'outil</p>	Enfoncer le loquet et ouvrir le rail en tirant vers l'arrière
B2	 <p>Déchargement au niveau du magasin</p>	Enfoncer le loquet et ouvrir le rail en tirant vers l'arrière
B3	 <p>Tirer le chargeur, taper pour décharger</p>	Tirer le chargeur vers l'arrière en position "verrouillée".
C1	 <p>Réglable</p>	Le déflecteur peut être tourné pour charger la direction de l'air d'échappement
C2	 <p>Arrière, réglable</p>	Le déflecteur peut être tourné pour changer la direction de l'air d'échappement

D2	 <p>1 2</p> <p>Contact</p>	<p>① Appuyer sur la gâchette.</p> <p>② Presser le palpeur de sécurité contre la surface de travail pour enfoncer une attache. Chaque fois que vous pressez le palpeur de sécurité (dispositif de sécurité) contre la surface de travail, une attache est enfoncée.</p>
E1	 <p>Option déclenchement automatique</p>	<p>Ces outils sont équipés d'un réglage de la vitesse d'enfoncement. Pour régler la vitesse, tourner la vis de trois tours maximum dans le sens inverse des aiguilles d'une montre pour augmenter la vitesse d'enfoncement. Tourner la vis de trois tours maximum dans le sens des aiguilles d'une montre pour ralentir la vitesse d'enfoncement. Pour un fonctionnement à tir simple, appuyer sur la gâchette seulement partiellement. Pour un fonctionnement automatique, appuyer à fond sur la gâchette.</p>
E2	 <p>Option déclenchement automatique</p>	<p>Cet outil est équipé d'un réglage de la vitesse d'enfoncement. Pour régler la vitesse, tourner la vis de trois tours maximum dans le sens inverse des aiguilles d'une montre (O) pour augmenter la vitesse d'enfoncement. Tourner la vis de trois tours maximum dans le sens des aiguilles d'une montre (P) pour ralentir la vitesse.</p>
F1	 <p>Portique</p>	Déverrouiller le loquet EZ-Clear et ouvrir le portique.

ÉLÉMENTS DE L'OUTIL

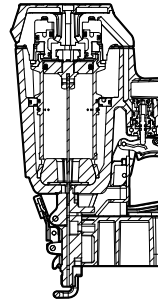
<p>Agrafeuse à fil fin</p>  <p>FW1 Déchargement du magasin FW2 Capot FW3 Gâchette FW4 Arrivée d'air FW5 Échappement</p>	<p>Agrafeuse à fil moyen</p> <p>Chargement par le bas</p>  <p>MW1 Palpeur de sécurité MW2 Gâchette MW3 Échappement MW4 Arrivée d'air MW5 Déchargement du magasin</p> <p>Chargement par le haut</p>  <p>MW6 Patin d'alimentation</p>	<p>Agrafeuse à fil épais</p>  <p>HW1 Palpeur de sécurité HW2 Échappement HW3 Gâchette HW4 Patin d'alimentation HW5 Arrivée d'air</p>
--	---	--

ENTRETIEN

Avertissement

- Les réparations autres que celles décrites ici ne doivent être effectuées que par du personnel qualifié et formé. Pour obtenir des informations, contacter SENCO au : +31 320 295 575.
- Lire la section intitulée "Avertissements de sécurité" avant de procéder à l'entretien de l'outil.
- Utiliser uniquement des pièces de rechange spécifiées par le fabricant ou son représentant autorisé.
- Toutes les vis doivent rester bien serrées. Des vis desserrées entraînent un fonctionnement non sécuritaire et la ruptures de pièces.
- Vérifier une fois par mois
- Avec l'outil débranché, procéder à une inspection quotidienne pour s'assurer de la liberté de mouvement du palpeur de sécurité et de la gâchette. Ne pas utiliser l'outil si le palpeur de sécurité ou la gâchette se bloque ou ne fonctionne pas aisément.
- Injecter de l'huile pneumatique Senco (5 à 10 gouttes) dans l'entrée d'air deux fois par jour (selon la fréquence d'utilisation de l'outil). D'autres huiles peuvent endommager les joints toriques et autres pièces de l'outil.
- Certains outils Senco sont sans huile et NE nécessitent PAS d'huile, vérifier l'étiquette.
- Essuyer l'outil tous les jours pour le nettoyer et vérifier l'absence de signes d'usure. Utiliser des produits de nettoyage non inflammables uniquement si nécessaire.
- Ne pas faire tremper.**
- Mise en garde :** d'autres produits peuvent endommager les joints toriques et autres pièces de l'outil.
- Éliminer les produits de nettoyage de façon appropriée.

DÉPANNAGE



En cas de bourrage d'agrafes :

- Débrancher l'alimentation en air
- Retirer les attaches
- Supprimer le bourrage
- Suivre la procédure de chargement

1	<p>SYMPTÔME Fuite d'air près du haut de l'outil / Fonctionnement mou</p> <p>SOLUTION Vérifier l'alimentation en air / serrer les vis ou installer le kit de réparation - Voir le manuel des pièces</p>
2	<p>SYMPTÔME Fuite d'air près du bas de l'outil / Faible retour</p> <p>SOLUTION Nettoyer l'outil / serrer les vis ou installer le kit de réparation Voir le manuel des pièces</p>
3	<p>SYMPTÔME Autres problèmes.</p> <p>SOLUTION Contacter SENCO.</p>

SPÉCIFICATIONS TECHNIQUES

Type d'outil	Pression de service minimale à maximale	Consommation d'air (60 cycles par minute) en litres	Entrée d'air	Vitesse maximale (cycles par seconde)	Poids en kg	Capacité d'agrafes	Taille de l'outil : Hauteur en mm	Taille de l'outil : Longueur en mm	Taille de l'outil : Largeur : Corps principal en mm
Série XtremePro									
SFT10XP	4,5-7,0 bars	33,0	1/4 en NPT	30 (Auto)	0,96	180	167	218	42,0
SFT10XP-DL	4,5-7,0 bars	33,0	1/4 en NPT	30 (Auto)	1,31	180	167	376	42,0
SFT10XP-LN	4,5-7,0 bars	33,0	1/4 en NPT	30 (Auto)	0,92	180	207	218	42,0
SLS20XP	4,8-8,3 bars	54,4	1/4 en NPT	10	1,10	168	216	305	51,0
SLS25XP	4,8-8,3 bars	54,4	1/4 en NPT	10	1,21	168	229	305	50,0
SKSXP	4,8-8,3 bars	61,2	1/4 en NPT	5	1,90	145	238	314	76,0
NS20XP	4,8-8,3 bars	113,0	3/8 en NPT	10	2,31	160	279	381	89,0
NS20BXP	4,8-8,3 bars	136,0	3/8 en NPT	10	2,64	160	279	381	102,0
SQS55XP	5,5-8,3 bars	185,0	3/8 en NPT	15	2,70	130	305	365	92,0
SNS50XP	5,5-8,3 bars	185,0	3/8 en NPT	15	2,70	160	305	365	92,0
PS15XP	4,8-8,3 bars	90,0	3/8 en NPT	10	2,30	160	225	387	89,0
PS20XP	4,8-8,3 bars	97,0	3/8 en NPT	10	2,40	160	225	387	89,0
Série Pro									
SFW09	4,8-8,3 bars	21,8	1/4 en NPT	15	2,00	110	151	241	49,0
SLS18MG	4,8-8,3 bars	68,0	1/4 en NPT	5	1,17	110	241	260	63,5
SMS92	5,0-8,0 bars	55,5	1/4 en NPT	3	1 858	160	274	310	78,0
SNS41	5,5-8,3 bars	153,0	3/8 en NPT	12	2,10	160	273	381	86,0
WC330-SP	5,0-8,0 bars	175,6	3/8 en NPT		5,85	120	400	397	133,0
WC360-SP	5,0-8,0 bars	261,0	3/8 en NPT		6,25	120	400	470	138,0
Série SemiPro									
SFW05	5,2-6,9 bars	27,0	1/4 en NPT	5	0,90	100	163	229	45,0
S150LS	4,8-8,3 bars	54,4	1/4 en NPT	5	1,46	100	227	249	68,0
S150MS	4,8-8,3 bars	54,4	1/4 en NPT	5	1,46	100	227	249	68,0

FR

GAMME D'AGRAFES

Type d'outil	Type d'agrafe																
	A	AT	B	C	E	F	G	K	92	L	M	N	O	P	Q	S	SP
SFT10XP	6-16	6-16	6-16	6-16	6-16	6-16	6-16										
SFT10XP-DL		6-16	6-16	6-16		6-16	6-16										
SFT10XP-LN		6-16		6-16													
SLS20XP								13-25		10-38	10-38						
SLS25XP										10-38	10-38						
SKSXP										19-38	22-38	22-38					
NS20XP												25-50	25-50				
NS20BXP												25-50	25-50				
SQS55XP															32-65	44-90	
SNS50XP												32-50					
PS15XP														16-38			
PS20XP														22-50			
SFW09		6-16		6-16		6-16											
SLS18MG										10-38	10-38						
SMS92									18-40								
SNS41												25-50	25-50				
WC330-SP																	65-130
WC360-SP																	90-160
SFW05		6-16	6-16	6-16													
S150										10-38	10-38						

Longueur de jambe en mm

FR

INFORMATIONS SUR LE NIVEAU DE BRUIT

Informations sur le niveau de bruit conformément à la norme EN12549	Ces valeurs sont des valeurs caractéristiques liées à l'outil et ne représentent pas le bruit généré au point d'utilisation. La conception du poste de travail peut également servir à réduire les niveaux sonores, par exemple en plaçant la pièce sur des supports insonorisants.
Informations sur les vibrations conformément à la norme EN 292 Parties 1 et 2	Cette valeur est une valeur caractéristique liée à l'outil et ne représente pas l'influence sur l'ensemble main-bras lors de l'utilisation de l'outil.

Type d'outil	Niveau de pression acoustique (LpA) dB	Niveau de puissance acoustique (LwA) dB	Niveau de vibrations m/s ²
Série XtremePro			
SFT10XP	81,9	92,1	1,7
SFT10XP-DL	81,9	92,1	1,7
SFT10XP-LN	81,9	92,1	1,7
SLS20XP	80	87	<2,5
SLS25XP	83	89	<2,5
SKSXP	86	91	<2,5
NS20XP	90	96	2,3
NS20BXP	90	96	2,7
SQS55XP	93	99	3,1
SNS50XP	93	99	3,1
PS15XP	90	96	2,3
PS20XP	90	96	2,7
Série Pro			
SFW09	66,3	74,2	<2,5
SLS18MG	84	91	<2,5
SMS92	89,9	102,9	<2,5
SNS41	84	92	<2,5
WC330-SP	90	103	2,86
WC360-SP	91	104	3,51
Série SemiPro			
SFW05	80	85	<2,5
S150LS	88	101	<2,5
S150MS	88	101	<2,5

FR

ACCESSOIRES

SENCO propose une gamme complète d'accessoires pour vos outils SENCO, incluant :

- Compresseurs d'air
- Tuyaux
- Coupleurs
- Raccords
- Lunettes de sécurité
- Manomètres
- Lubrifiants
- Régulateurs
- Filtres



Pour plus d'informations ou un catalogue illustré complet des accessoires SENCO, consulter SENCO.EU

SISÄLLYSLUETTELO

Työnantajan vastuut	43
Yleinen kuvaus	43
Varoitukset	43
Turvallisuusvaroitukset	44
Työkalun käyttö	46
Huolto	48
Vianmääritys	48
Tekniset tiedot	49
Naulausalue	50
Melutasotiedot	51
Lisävarusteet	51
Vaatimustenmukaisuusvakuutus	132
Rajoitettu takuu	134

FI

TYÖNANTAJAN VASTUUT



On työnantajan vastuulla varmistaa, että kaikki työkalua käyttävät henkilökunnan jäsenet ovat lukeneet ja ymmärtävät nämä käyttöohjeet.

Säilytä tämä käyttöohje mahdollista

myöhempiä tarvetta varten. Riskien arviointi ja kaikkia vaaroja koskevien hallintatapojen implementaatio ovat ehdottomia.

TYÖPAIKAN VAARAT

Huomioi seuraavat:

- Liukastuminen, kompastuminen ja putoaminen ovat suurimpia työpaikkaloukkaantumisten aiheuttajia. Varo työkalun käytöstä johtuvia liukkaita pintoja ja ilmaletkun aiheuttamia kompastusvaaroja.
- Ole erityisen varovainen tuntemattomassa ympäristössä. Piilovaaroja saattaa olla olemassa, kuten sähköön tai muihin utiliteetteihin liittyviä.
- Tätä työkalua ei ole tarkoitettu käytettävän räjähdysalttiissa ympäristöissä, eikä sitä ole eristetty sähköverkosta.
- Varmista, ettei ympäristössä ole sähköjohtoja, kaasuputkia jne., jotka voivat aiheuttaa vaaratilanteen, jos työkalu vaurioittaa niitä.

PÖLY- ja POISTOILMAVAARAT

Jos työkalua käytetään alueella, jossa on pölyä, työkalu saattaa pölyttää sitä ja aiheuttaa vaaran.

Huomioi seuraavat:

- Riskienhallinnassa tulee huomioida työkalun käytöstä aiheutuva pöly ja olemassa olevan pölyn pölyämisen mahdollisuus.
- Ohjaa ilmanpoisto siten, että pölyisen ympäristön pölyn aiheuttamat häiriöt minimoituvat.
- Jos ympäristössä on pölyyn tai poistoilmaan liittyviä vaaroja, tärkeintä on hallita niitä päästöpiesteessä.

YLEINEN KUVAUS

- Käsikäyttöinen sähköinen naulaustyökalu, joka koostuu paineilmamoottorista, ohjainrungosta ja lippaasta, jossa virtaa johdetaan lineaarisella liikkeellä ladattuun naulaan ja jolla ammutaan naula tiettyihin materiaaleihin, paitsi jos käytetään erityisiä nautoja, jotka on tarkoitettu käytettäväksi betoniin tai teräkseen.
- Muunlainen käyttö on kielletty.

VAROITUKSET:

Symbolilla merkityjä työkaluja tulee käyttää vain tuotantokäyttöön. Muunlainen käyttö on kielletty.

- Älä pidä sormeasi liipaisimella nostaessasi työkalun, siirtäessäsi sitä käyttöalueiden välillä tai kävellessäsi – sormen pitäminen liipaisimella voi johtaa työkalun tahattomaan laukaisemiseen. Työkalut, joiden käyttötila on valittavissa: tarkista aina työkalu ennen käyttöä ja varmista, että oikea käyttötila on valittuna.
- Tässä työkalussa on joko selektiivinen kosketuskäyttö tai jatkuva kosketuskäyttö käyttötilavalitsimella, tai se on kosketuskäytön tai jatkuvan kosketuskäytön työkalu ja merkitty yllä olevalla symbolilla. Se on suunniteltu tuotantokäyttöön, kuten lavoihin, huonekaluihin, valmistaloihin, verhoiluihin ja vuoraukseen.
- Jos tätä työkalua käytetään selektiivisessä käyttötilassa, varmista aina, että se on oikealla käyttöasetuksella.
- Älä käytä tätä työkalua kosketuskäyttötilassa töihin, kuten laatikoiden tai kuljetuslaatikoiden sulkemiseen tai kuljetusturvallisuusjärjestelmien kiinnittämiseksi peräkärryihin ja kuorma-autoihin.
- Ole varovainen, kun siirryt käyttöpaikasta toiseen.



TURVALLISUUSVAROITUKSET

- Lue ja ymmärrä nämä varoitukset estääksesi itsesi tai sivullisten loukkaantumisen. Lue lisätietoja työkalun käyttöön, huoltoon ja viannäaritykseen liittyvistä osioista.



- Varoitusten sivuuttaminen voi johtaa vakaviin vammoihin.
- Älä hävitä näitä ohjeita.

- Työkalun käyttäjien ja muiden työalueella olevien henkilöiden tulee käyttää iskunkestäviä silmäsuojia, joissa on myös sivusuojat. Jos näin ei tehdä, voi seurauksena olla vakava vammaantuminen. CE-merkintä, joka vastaa standardia EN166



- Käytä aina muuta suojavaatetusta, kuten kuulosuojaimia, suojäkäsineitä ja suojakypäriä.



- Käytä vain suojäkäsineitä, joiden läpi tunnet kunnolla ja joilla pystyt turvallisesti hallitsemaan liipaisimia ja säätölaitteita.
- Työkalun käyttäjien ja muiden työskentelyalueella olevien henkilöiden tulee käyttää kuulosuojaimia.



- Korkealle melutasolle altistuminen suojaamattomana voi aiheuttaa peruuttamattoman, elämää häiritsevän kuulon heikentymisen ja muita ongelmia, kuten tinnitusta (korvien soiminen, särinä, vihellys tai humina).

- Asianmukaisia toimia riskien vähentämiseksi ovat muun muassa vaimentavat materiaalit, jotka estävät työmateriaaleja "soimasta".

- Käytä asianmukaisia kuulosuojaimia.
- Käytä ja huolla työkalua kuten näissä ohjeissa suositellaan välttyäksesi turhalta melutason kasvulta.
- Jos työkalussa on vaimennin, varmista aina, että se on paikallaan ja kunnossa, kun työkalua käytetään.

- Tärinälle altistuminen voi vahingoittaa käsien ja käsivarsien hermoja ja verenkiertoa.



- Käytä lämpimiä vaatteita työskennellessäsi kylmissä olosuhteissa. Pidä kätesi lämpiminä ja kuivina.
- Jos sormiesi tai käsiesi ihossa tuntuu puutumista, kihelmöintiä tai kipua tai se muuttuu valkoiseksi, hakeudu työterveyslääkäriin.
- Käytä ja huolla työkalua näiden ohjeiden suositusten mukaisesti välttyäksesi turhalta tärinätason kasvulta.
- Pitele työkalua kevyesti mutta turvallisesti, koska tärinä riski on yleisesti suurempi, kun työkalusta pitää tiukemmin kiinni.



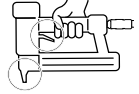
- Pysy valppaana, kiinnitä huomiota tekemäsi ja käytä maalaisjärkeä käyttäessäsi sähkötyökalua. Älä käytä työkalua väsyneenä tai ollessasi huumeiden, alkoholin tai lääkkeiden vaikutuksen alaisena. Hetkellisenkin keskitty-misen herpaantuminen sähkötyökalujen käytön aikana voi johtaa vakavaan henkilövahinkoon.

- Käytä vain ohjeiden mukaista virransyöttöä
- Älä koskaan käytä happea, hiilidioksidia tai muuta pulloitettua kaasua tämän työkalun virtalähteenä; työkalu räjähtää ja aiheuttaa vakavia vammoja.



- Hapen tai syttyvien kaasujen käyttö paineilmatyökaluissa aiheuttaa tulipalo- tai räjähdysvaaran.

- Poista aina sormi liipaisimelta, kun et ammu nauloja. Älä koskaan kannata työkalua siten, että sormesi on liipaisimen päällä tai alla. Työkalu ampuu naulan, kun turvakärkeä kosketetaan.

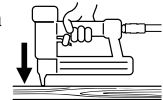


- Käyttämätöntä työkalua tulee pitää kyljellään ja irrotettuna paineilmastasta.
- Kun työkalua ei käytetä, sormi tulee ottaa pois liipaisimelta ja työkalu tulee asettaa sellaiseen asentoon, ettei turvakarki aktivoitu.

- Oleta aina, että työkaluun on ladattu nauloja. Älä osoita työkalulla itseäsi tai muita kohti. Työkalulla ei saa leikkiä. Työkalua tulee pitää apuvälineenä.

- Pidä kädet ja jalat poissa ampumissuunnasta.
- Vain pätevien käyttäjien tulee käyttää naulainta.

- Ammu nauloja vain työmateriaaleihin; älä koskaan materiaaleihin, jotka ovat liian kovia nauloille.



- Teräkselle ja betonille tarkoitettuja työkaluja tulee painaa voimakkaammin.
- Työkalun käytön aikana työmateriaalista ja keräysjärjestelmästä voi lentää pirstaleita.
- Varmista, että työkalu on aina turvallisesti kiinni työmateriaalissa eikä pysty luiskahamaan irti.

- Työkaluja, joissa on "kosketuskäyttö", ei tule käyttää:

- Jos käyttöpaikkojen välillä on portaita, tikapuita tai rakennustelineitä.
- Laatikoiden tai säilytyslaatikoiden sulkemiseen.
- Kuljetusturvallisuusjärjestelmien kiinnittämiseen.
- Liikkuviin alustoihin



- Lue ja ymmärrä selektiiviseen käyttötilaan liittyvät riskit "Työkalun käyttö" -osiossa.

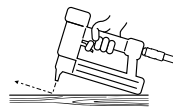
- Älä paina työkalua kovaa. Anna työkalun tehdä työt. Käytä työhön sopivaa työkalua. Oikeanlainen työkalu tekee työn paremmin ja turvallisemmin sen suunnitellulla nopeudella.

- Älä nojaa liian pitkälle työkalun yli.

- Pidä jalat tukevassa asennossa ja tasapainoa yllä.

- Älä ammu nauloja muiden naulojen päälle tai siten, että työkalu on liian jyrkässä kulmassa.

- Naula saattaa kimmta ja aiheuttaa loukkaantumisen.



- Työkalua käytettäessä tulee ottaa huomioon työkalun mahdollinen takaisku naulaa ammuttaessa. Jos turvakärjen annetaan tahattomasti koskettaa työkappaleen pintaa takaiskun jälkeen, työkalu ampuu naulan tahattomasti. Anna työkalun takaiskun ohjautua kokonaan pois työmateriaalin pinnasta naulan ampumisen jälkeen tämän välttämiseksi. Älä paina turvakärkeä työmateriaalin pintaan, ellei halua ampua toista naulaa.



- Pitele työkalua oikein tiukalla otteella ja valmistaudu vastustamaan ja hallitsemaan tavallisia tai äkinäisiä liikkeitä, kuten takaiskua. Otteen tulee olla turvallinen ja oikeanlainen, jotta tärinän vaara, joka voi aiheuttaa vakavan loukkaantumisen, vähenee.
- Seiso tasapainoisesti ja pidä jalat vankasti maassa.
- Ole varovainen paineilmatyökaluja käyttäessäsi, sillä työkalusta tulee kylmä. Tämä voi vaikuttaa otteeseen ja työkalun hallintaan.

- Älä ammu nauloja lähellä työmateriaalin pinnan reunaa.
- Naula saattaa kimmota ja aiheuttaa loukkaantumisen.
- Pidä sivulliset kaukana.
- Merkitse työalueesi selkeästi.

- Kytke paineilma pois päältä ennen työkalun huoltotoimenpiteitä, jumiutuneen naulan poistamista, säätöjen tekemistä, työaluelta poistamista, työkalun siirtämistä tai sen antamista toiselle henkilölle.



- Työkalu saattaa vapauttaa naulan, kun paineilma kytetään päälle; ☹️ poista siksi kaikki naulat työkalusta ennen ilmaletkun kiinnittämistä.
- Käsittele nauloja varoen työkalua täytettäessä/tyhjennettäessä. Naulat ovat teräviä.

- Älä koskaan käytä työkalua, jos turvakärki, liipaisin tai jouset eivät toimi, puuttuvat tai ovat vaurioituneet. Älä peukalo tai irrota turvakärkeä, liipaisinta tai jousia.
- Muutokset saattavat heikentää turvallisuustoimenpiteiden tehokkuutta ja kasvattaa työkalun käyttäjään / sivullisiin kohdistuvia riskejä.
- Älä käytä työkalua, jos se on vaurioitunut.

- Varmista aina, että kaikki ruuvit ja suojukset ovat kunnolla kiinni. Tarkista päivittäin liipaisimen ja turvakärjen vapaa liikkuvuus. Älä koskaan käytä työkalua, jos siitä puuttuu osia tai ne ovat kuluneet tai vaurioituneet.
- Käytä aina toista kahvaa (jos se toimitetaan tuotteen mukana)

- Käytä vain SENCON suosittelimia tai myymiä osia, nauloja, voiteluaineita ja lisävarusteita. Älä muokkaa työkalua ilman SENCON lupaa.

- Käytä vain puhdasta, säänneltyä paineilmaa suositellulla paineella.
- Sammuta aina paineilman syöttö ja irrota työkalu siitä, kun sitä ei käytetä.

- Työkaluja ei saa yhdistää paineeseen, joka saattaa ylittää enimmäiskäyttöpaineen 10 prosentilla.
- Älä ylitä enimmäiskäyttöpainetta.

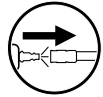
- Työkaluja, jotka on merkitty ylösalaisin olevalla kolmiolla, ei saa käyttää, ellei niissä ole toimivaa turvakärkeä.



- Työkalut, joissa ei ole turvakärkeä, voivat ampuu tahattomasti, mikä voi aiheuttaa loukkaantumisen.

- Työkalutelineiden valmistajien tulee suunnitella ja rakentaa telineet siten, että työkalu voidaan kiinnittää siihen turvallisesti sen tarkoitettua käyttötarkoitusta varten.

- Työkalussa ja ilmansyöttöletkussa tulee olla liittinippa, jonka avulla kaikki paine voidaan poistaa työkalusta, kun liitin irrotetaan.
- Paineilma voi aiheuttaa vakavan loukkaantumisen.



- Irrota aina työkalu paineilman syötöstä ennen lisävarusteiden vaihtamista, säätöjen tekoa tai korjaustoimenpiteitä, tai kun siirryt työkalun käyttöalueelta toiselle alueelle.
- Älä koskaan kohdista paineilmaa itseäsi tai muita kohti.
- Letkun irtoaminen voi aiheuttaa vakavan loukkaantumisen – tarkista aina, ettei letku ole vaurioitunut tai löysästi kiinni.

- Älä lataa nauloja siten, että liipaisin tai turvakärki on painettuna alas.

- Älä käytä työkalua ilman varoitusarraa. Jos tarrapuuttuu, se on vaurioitunut tai lukukelvoton, ota yhteyttä SENCO-edustajaan saadaksesi uuden tarran.



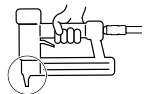
- Älä koskaan käytä työkalua, joka vuotaa ilmaa tai vaatii korjausta.
- Älä käytä työkalua, jos se on vaurioitunut.
- Älä koskaan kannata tai vedä paineilmatyökalua sen letkusta.

- Älä suorita "häätäkorjauksia" ilman asianmukaisia työkaluja ja varusteita.
- Tarkista aina työkalu ennen käyttöä rikkoutuneiden, irronneiden, löysien tai kuluneiden osien varalta.






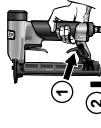
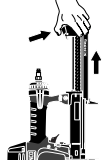

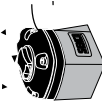

Työkalun valmistajan kirjallinen suostumus tulee saada ennen työkalun muokkaamista millään tavalla.





- Pidä kädet ja muut ruumiinosat poissa ympyrässä näytetyltä alueelta välttyäksesi mahdolliselta loukkaantumiselta käytön aikana.
- Pidä sormet poissa liipaisimelta, kun työkalua ei käytetä ja kun siirryt yhdeltä käyttöalueelta toiselle.



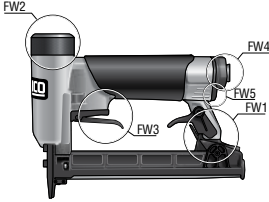
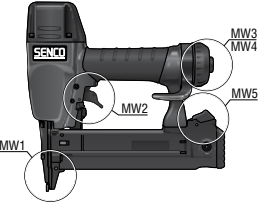

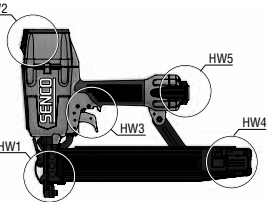
Työkalu	Lataaminen	Purkaminen	Ilmanpoisto	Liipaisimen tyyppi	Automaattinen nauhaustoi- minnto	Nauhausyyvyyden säätö	Tukosten poista- minen	Turvaosa
SFT10XP		Vapautaa työkalun takaosassa (B1)		Yksitoiminen (D1)	(E1)	Ei ole		
SFT10XP-LIN		Nauhaus liippaasta (B2)	Takaosa	Kaksois			Lippaasta	Ei ole
SFT10XP-DL	Pohjasta ladattava (A1)	Vapautaa työkalun takaosassa (B1)		Yksitoiminen (D1)	Ei sov.			
SFW09		Nauhaus liippaasta (B2)						
SFW05			Liikuteiltava		Ei sov.	Ei ole		
SKSXP			Säädettävä (C1)					
SNS41XP								
NS20XP								
NS20BXP	Päätä ladattava (A2)	Vedä syöttimä. Vapautaa paina- malla (B3)	Etuos	Laukaisu pohjasta (I)	(E2)	Turvajalassa	Portti (F1)	Kyllä
PS15XP						Lippaisintilassa		
PS20XP						Turvajalassa		
S0S55XP			Säädettävä (C1)					
SLS25XP			Liikuteiltava	Asteittainen (D1)	(E1)	Kyrkennässä		Kyllä
SLS20XP	Päätä ladattava (A2)	Vedä syöttimä. Vapautaa paina- malla (B3)						
SMS92			Säädettävä (C1)					
SLS18Mg			Takana, säädettävä C2	Valittava	Ei sov.	Lippaisintilassa		Kyllä
S150LS	Pohjasta ladattava (A1)	Vapautaa työkalun takaosassa (B1)	Säädettävä (C1)	Yksitoiminen (D1)		Kyrkennässä	Lippaasta	Kyllä
S150MS			Säädettävä (C1)					
WC330	Päätä ladattava (A2)	Vedä syöttimä. Vapautaa paina- malla (B3)	Etuos	Yksitoiminen (D1)	Ei sov.	Kyrkennässä	Lippaasta	Kyllä
WC360								

Matriisikuva nro	Kuvaus	Kuvaan liittyvät huomautukset	Matriisikuva nro	Kuvaus	Kuvaan liittyvät huomautukset
A1	 Pohjasta ladattava	Älä lataa, kun liipaisin on painettuna	D1	 Yksittäinen	<p>Kuvaan liittyvät huomautukset</p> <p>① Paina turvakarki (turvaosa) työkalupäteen pintaa vasten. ② Vedä liipaisimesta, jolloin hakanen ammutaan.</p>

A2		Päättä laattava	Älä lataa siten, että liipaisin tai turvakätki (turvaosa) on painettuna alas.
B1		Vapauta työkalun takaosassa	Paina salpaa, liukukisko aukeaa
B2		Vapautus lippaasta	Paina salpaa, liukukisko aukeaa
B3		Vedä syöttintä. Vapauta painamalla	Työnä syöttimen luisti takaisin "lukittu"-asentoon.
C1		Säädettävä	Ilmanohjainta voidaan kääntää poistoilman suunnan vaihtamista varten
C2		Takana, säädettävä	Ilmanohjainta voidaan kääntää poistoilman suunnan vaihtamista varten

D2		Pohjia	<p>① Vedä liipaisimesta.</p> <p>② Paina turvakätki työkalupaleen pintaa vasten ja ammu hakanen.</p> <p>Joka kerta, kun painat turvakärjen (turvaosa) työkalupaleen pintaa vasten, hakanen ammutaan.</p>
E1		Automaattinen nauhaus toiminto	Nämä työkalut on varustettu syöttönopeuden säädöllä. Säädä nopeutta kiertämällä ruuvia enintään kolme kierrosta vastapäivään syöttönopeuden lisäämistä varten. Kierrä ruuvia enintään kolme kierrosta myötäpäivään syöttönopeuden alentamista varten. Vedä liipaisinta vain osittain yltä laukaista varten. Vedä liipaisin pohjaan automaattista toimintoa varten.
E2		Automaattinen nauhaus toiminto	Tämä työkalu on varustettu syöttönopeuden säädöllä. Säädä nopeutta kiertämällä ruuvia enintään kolme kierrosta vastapäivään (Q) syöttönopeuden lisäämistä varten. Kierrä ruuvia enintään kolme kierrosta myötäpäivään (P) syöttönopeuden alentamista varten.
F1		Portti	Vapauta E-Z Clear -salpa ja avaa luukku.

TYÖKALUN OSAT

<p>Hakasnaulain kevyeen käyttöön</p>  <p>FW1 Lippaan vapautus FW2 Suojus FW3 Liipaisin FW4 Tuloaukko FW5 Poistoaukko</p>	<p>Hakasnaulain keskirasakaaseen</p> <p>Pohjasta ladattava</p>  <p>MW1 Turvakärki MW2 Liipaisin MW3 Poistoaukko MW4 Tuloaukko MW5 Lippaan vapautus</p> <p>Päältä ladattava</p>  <p>MW6 Syöttimen luisti</p>	<p>Hakasnaulain vaativaan käyttöön</p>  <p>HW1 Turvakärki HW2 Poistoaukko HW3 Liipaisin HW4 Syöttimen luisti HW5 Tuloaukko</p>
---	---	--

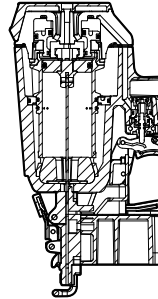
FI

HUOLTO

Varoitus

- Muut kuin tässä kuvatut korjaukset saa suorittaa vain koulutettu ja pätevä henkilöstö. Voit ottaa yhteyttä SENCOon soittamalla numeroon: +31 320 295 575
 - Lue osa "Turvavaroitukset" ennen koneen huoltoa.
 - Käytä vain valmistajan tai valtuutetun jälleenmyyjän määrittelemiä varaosia.
-
- Kaikkien ruuvien kireys on varmistettava. Löysät ruuvit vaarantavat turvallisuuden ja aiheuttavat osien rikkoutumisen.
 - Kuukausittainen tarkastus
-
- Kytke työkalu pois päältä ja tee päivittäinen tarkastus, jotta varmistat turvakärjen ja liipaisimen vapaan liikkuvuuden. Älä käytä työkalua, jos turvakärki tai liipaisin jumittuvat.
-
- Ruiskuta paineilmalaitteille tarkoitettua Senco-öljyä (5-10 tippaa) ilma-aukkoon päivittäin (riippuu työkalun käyttöasteesta). Muut öljyt voivat vahingoittaa O-renkaita ja työkalun muita osia.
 - Jotkin Senco-työkalut ovat öljyttömiä EIVÄTKÄ tarvitse öljyä. Lue tavaraseloste.
-
- Pyyhi työkalu puhtaaksi päivittäin ja tarkasta kulumien varalta. Käytä syttymättömiä puhdistusnesteitä vain, jos se on välttämätöntä.
 - **Älä liota työkalua.**
 - **Varoitus:** Sellaiset liuokset voivat vahingoittaa O-renkaita ja työkalun muita osia.
 - Hävitä puhdistusaineet asianmukaisella tavalla.

VIANETSINTÄ



Mikäli naulat jumittuvat:

- Kytke paineilma pois päältä.
- Poista naulat
- Poista tukos
- Noudata latausmenettelyä

1	<p>OIRE Ilmaa vuotaa työkalun yläosasta. / työkalu toimii hitaasti</p> <p>RATKAISU Tarkista paineilman syöttö / kiristä ruuvit tai asenna korjaussarja - katso varaosakirjaa</p>
2	<p>OIRE Ilmaa vuotaa työkalun alaosan lähellä / työkalu toimii heikosti</p> <p>RATKAISU Puhdista työkalu / kiristä ruuvit tai asenna korjaussarja. Katso varaosakirjaa</p>
3	<p>OIRE Muita ongelmia.</p> <p>RATKAISU Ota yhteyttä SENCOon.</p>

TEKNISET TIEDOT

Työkalun tyyppi	Minimi- maksimikäyttöaine	Ilmankulutus (60 kierrosta minuutissa) litroina	Ilman sisäänvalo	Maksiminopeus (kierrosta sekunnissa)	Paino kg	Hakaskapasiteetti	Työkalun koko: Korkeus mm	Työkalun koko: Pituus mm	Työkalun koko: Leveys: Päärunko mm
XtremePro-sarja									
SFT10XP	4,5-7,0 bar	33,0	1/4 in NPT	30 (Auto)	0,96	180	167	218	42,0
SFT10XP-DL	4,5-7,0 bar	33,0	1/4 in NPT	30 (Auto)	1,31	180	167	376	42,0
SFT10XP-LN	4,5-7,0 bar	33,0	1/4 in NPT	30 (Auto)	0,92	180	207	218	42,0
SLS20XP	4,8-8,3 bar	54,4	1/4 in NPT	10	1,10	168	216	305	51,0
SLS25XP	4,8-8,3 bar	54,4	1/4 in NPT	10	1,21	168	229	305	50,0
SKSXP	4,8-8,3 bar	61,2	1/4 in NPT	5	1,90	145	238	314	76,0
NS20XP	4,8-8,3 bar	113,0	3/8 in NPT	10	2,31	160	279	381	89,0
NS20BXP	4,8-8,3 bar	136,0	3/8 in NPT	10	2,64	160	279	381	102,0
SQS55XP	5,5-8,3 bar	185,0	3/8 in NPT	15	2,70	130	305	365	92,0
SNS50XP	5,5-8,3 bar	185,0	3/8 in NPT	15	2,70	160	305	365	92,0
PS15XP	4,8-8,3 bar	90,0	3/8 in NPT	10	2,30	160	225	387	89,0
PS20XP	4,8-8,3 bar	97,0	3/8 in NPT	10	2,40	160	225	387	89,0
Pro-sarja									
SFW09	4,8-8,3 bar	21,8	1/4 in NPT	15	2,00	110	151	241	49,0
SLS18MG	4,8-8,3 bar	68,0	1/4 in NPT	5	1,17	110	241	260	63,5
SMS92	5,0-8,0 bar	55,5	1/4 in NPT	3	1 858	160	274	310	78,0
SNS41	5,5-8,3 bar	153,0	3/8 in NPT	12	2,10	160	273	381	86,0
WC330-SP	5,0-8,0 bar	175,6	3/8 in NPT		5,85	120	400	397	133,0
WC360-SP	5,0-8,0 bar	261,0	3/8 in NPT		6,25	120	400	470	138,0
SemiPro-sarja									
SFW05	5,2-6,9 bar	27,0	1/4 in NPT	5	0,90	100	163	229	45,0
S150LS	4,8-8,3 bar	54,4	1/4 in NPT	5	1,46	100	227	249	68,0
S150MS	4,8-8,3 bar	54,4	1/4 in NPT	5	1,46	100	227	249	68,0

HAKASTEN ALUE

Työkalun tyyppi	Hakasten tyyppi																	
	A	AT	B	C	E	F	G	K	92	L	M	N	O	P	Q	S	SP	
SFT10XP	6-16	6-16	6-16	6-16	6-16	6-16	6-16											
SFT10XP-DL		6-16	6-16	6-16		6-16	6-16											
SFT10XP-LN		6-16		6-16														
SLS20XP								13-25		10-38	10-38							
SLS25XP										10-38	10-38							
SKSXP										19-38	22-38	22-38						
NS20XP												25-50	25-50					
NS20BXP												25-50	25-50					
SQS55XP															32-65	44-90		
SNS50XP												32-50						
PS15XP																		
PS20XP														16-38				
SFW09		6-16		6-16		6-16								22-50				
SLS18MG										10-38	10-38							
SMS92									18-40									
SNS41												25-50	25-50					
WC330-SP																	65-130	
WC360-SP																	90-160	
SFW05		6-16	6-16	6-16														
S150										10-38	10-38							

Jalan pituus millimetreinä

FI

MELUTASOTIEDOT

Melutasotiedot

EN12549:n mukaisesti

Nämä arvot ovat työkalusta riippuvia tyypillisiä arvoja eivätkä kuvaa melua, joka syntyy käyttöpaikalla. Työpiste voidaan myös suunnitella siten, että vähennetään melua, esimerkiksi asettamalla työkappale ääntä vaimentavien tukien päälle.

Tärinään liittyvää tietoa

EN 292 osan 1 & 2 mukaisesti

Tämä arvo on työkalukohtainen ominisarvo, eikä se kerro vaikutusta käteen/käsivarteen työkalun käytön aikana.

Työkalun tyyppi	Äänenpainetaso (Lpa) dB	Äänenvoimakkuus (Lwa) dB	Tärinätaso m/s ²
XtremePro-sarja			
SFT10XP	81,9	92,1	1,7
SFT10XP-DL	81,9	92,1	1,7
SFT10XP-LN	81,9	92,1	1,7
SLS20XP	80	87	<2,5
SLS25XP	83	89	<2,5
SKSXP	86	91	<2,5
NS20XP	90	96	2,3
NS20BXP	90	96	2,7
SQS55XP	93	99	3,1
SNS50XP	93	99	3,1
PS15XP	90	96	2,3
PS20XP	90	96	2,7
Pro-sarja			
SFW09	66,3	74,2	<2,5
SLS18MG	84	91	<2,5
SMS92	89,9	102,9	<2,5
SNS41	84	92	<2,5
WC330-SP	90	103	2,86
WC360-SP	91	104	3,51
SemiPro-sarja			
SFW05	80	85	<2,5
S150LS	88	101	<2,5
S150MS	88	101	<2,5

LISÄVARUSTEET

SENCO tarjoaa kattavan valikoiman lisävarusteita SENCO-työkaluille, mukaan lukien:

- Ilmakompressorit
- Letkut
- Liittimet
- Kiinnittimet
- Suojalasit
- Painemittarit
- Voiteluaineet
- Säätimet
- Suodattimet

Lisätietoja tai kuvitetun luettelon SENCON lisävarusteista saa osoitteesta SENCO.EU.



INNHOLDSFORTEGNELSE

Arbeidsgivers ansvar	53
Generell beskrivelse	53
Advarsler	53
Sikkerhetsadvarsler	54
Bruk av verktøyet.....	56
Vedlikehold	58
Feilsøking	58
Tekniske data.....	59
Spikerområde	60
Støyinformasjon.....	61
Ekstraustyr.....	61
Samsvarserklæring.....	132
Begrenset garanti	134

NO

ARBEIDSGIVERS ANSVAR



Det er arbeidsgiverens ansvar å sørge for at denne bruksanvisningen er lest og forstått av alle ansatte som skal ta i bruk verktøyet. Ha bruksanvisningen tilgjengelig for fremtidig bruk. Risikovurdering og implementering av nødvendige kontroller for alle farer er ekstremt viktig.

FARE PÅ ARBEIDSPLASSEN

Følgende gjelder:

- Å snuble, skli eller falle er hovedårsakene til at skader oppstår på arbeidsplassen. Vær oppmerksom på glatte overflater forårsaket av bruk av verktøyet, samt farer som kan oppstå på grunn av luftslangen.
- Bruk verktøyet med ekstra forsiktighet i ukjente omgivelser. Det kan finnes skjulte farer som elektrisitet eller andre ledninger.
- Dette verktøyet er ikke ment til bruk i potensielt eksplosive atmosfærer, og er ikke isolert fra å komme i kontakt med elkraft.
- Sørg for at det ikke finnes elektriske kabler, gassrør etc. i nærheten som kan forårsake farer hvis de skades av verktøyet.

STØV- OG UTBLÅSINGSFARE

Hvis verktøyet brukes i et område med statisk støv, kan det forstyrre støvet og føre til fare.

Følgende gjelder:

- Risikovurdering bør inkludere støv som oppstår ved bruk av verktøyet og den potensielle mengden forstyrrende og eksisterende støv.
- Rett utblåsingen for å minimere forstyrrelsen av støv i et støvpreget miljø.
- I tilfeller der det oppstår støv- eller utblåsingsfarer, skal det prioriteres å kontrollere dem ved utslippspunktet.

GENERELL BESKRIVELSE

- Håndholdt spikerpistol med festeelement som består av et trykkluftaggregat, hovedhus og magasin der energi brukes i en lineær bevegelse til en ladet spiker med formål om å skyte spikeren inn i bestemte materialer, med mindre det brukes en spesialutviklet spiker ment til bruk på stål eller betong.
- All annen bruk er forbudt.



ADVARSLER


Verktøy med dette symbolet skal kun brukes til produksjonsarbeid. All annen bruk er forbudt.

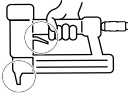
- Ikke hvil fingeren på avtrekkeren når du plukker opp verktøyet, beveger deg mellom arbeidsområder, bytter posisjon eller går. Dersom du hviler fingeren på avtrekkeren, kan dette føre til utilsiktet bruk. Verktøy som har selektiv drivkraft skal alltid sjekkes før det tas i bruk for å sikre at riktig modus er valgt.
- Dette verktøyet har verken selektiv aktuator for kontaktaktuator eller kontinuerlig kontaktaktuator ved aktuatormodus-velgere eller en kontaktaktuator eller kontinuerlig kontaktaktuatorverktøy, og er merket med symbolet ovenfor. Verktøyet bruksområder er produksjonsarbeid som produksjon av lastepaller, møbler, hus, møbeltapetsering og kledning.
- Hvis dette verktøyet brukes i selektiv aktuatormodus, må du alltid sørge for at verktøyet er stilt inn på riktig aktuatorinnstilling.
- Ikke bruk dette verktøyet i kontaktaktuator i forbindelse med arbeidsoppgaver som innebærer å lukke bokser eller kasser eller montere transportsikkerhetssystemer på lastebiler og godsvogn.
- Vær forsiktig når du bytter fra én boreplassering til en annen.

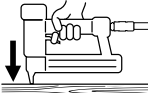


SIKKERHETSADVARSLER

- Les og forstå disse advarelsene for å forhindre at du skader deg selv eller andre i nærheten. Se seksjonene bruk av verktøy, vedlikehold og feilsøking for mer informasjon.  
- Dersom det unnlates å følge advarelsene, kan dette føre til alvorlige skader.
- Skal ikke kasserer.
- De som skal bruke verktøyet og andre som befinner seg på arbeidsområdet, skal bruke støtsikre vernebriller med sidebeskyttelse. Der- som det unnlates å gjøre dette, kan det oppstå alvorlige skader. CE tilsvarende EN166 
- Bruk alltid annet beskyttelsesutstyr som hørselsvern, hansker og hjelm.
- Bruk kun hansker som gir tilstrekkelig følsomhets- og kontrolleringsevne av avtrekkere og ved enhetsjusteringer.
- De som bruker verktøyet og de som befinner seg i nærheten, skal bruke hørselsvern.
- Ubeskyttet eksponering for høye lydnivåer kan forårsake permanente og invaliderende hørselsskader og andre problemer som tinnitus (summing, ringing eller piping i ørene).
- Hensiktsmessige kontroller for å redusere risikoen kan inkludere handlinger som å fukte materialer for å forhindre at arbeidsstykker «piper/ringer».
- Bruk hensiktsmessig hørselsvern.
- Bruk og vedlikehold verktøyet som anbefalt i denne bruksanvisningen for å unngå unødvendig økning av vibrasjonsnivåene.
- Hvis verktøyet har en lydtemper, bør du sørge for at den er på plass og fungerer som den skal når verktøyet er i bruk.
- Eksponering for vibrasjon kan forårsake invaliderende skader på nerver og blodforsyning til hender og armer. 
- Bruk varme klær når du jobber i kalde omgivelser, og hold hendene varme og tørre. 
- Hvis du opplever nummenhet, prikking, smerte eller blek hud på fingrene eller hendene, skal du rådføre deg med kvalifisert helsepersonell vedrørende generelle aktiviteter.
- Bruk og vedlikehold verktøyet som anbefalt i denne anvisning for å unngå unødvendig økning av vibrasjonsnivåer.
- Hold verktøyet med et lett og trygt grep, da risikoen ved vibrasjon som regel er større desto hardere du holder det.
- Vær på vakt, følg med på det du gjør og bruk sunn fornuft når du håndterer elektroniske verktøy. Ikke bruk verktøyet hvis du er trøtt eller påvirket av rusmidler, alkohol eller medisiner. Et øyeblikks uoppmærksomhet under bruk av verktøyet kan resultere i alvorlige personskader.

- Bruk kun den energiforsyningen som er angitt 
- Aldri bruk oksygen, karbondioksid eller annen gass på flasker som strømkilde for dette verktøyet. Verktøyet vil eksplodere og forårsake alvorlige skader.
- Bruk av oksygen eller lettantennelige gasser for pressluftverktøy skaper fare for brann eller eksplosjon.

- Fjern alltid fingeren fra avtrekkeren når du ikke skyter inn spikre. Aldri bær verktøyet med fingeren på eller under avtrekkeren. Verktøyet vil skyte ut en spikre hvis kontaktnesen kommer i kontakt med noe. 
- Verktøyet hvilestilling er liggende på siden, frakoblet luften.
- Hvilestillingen inkluderer å fjerne fingeren fra avtrekkeren og plassere verktøyet slik at kontaktnesen ikke kommer i kontakt med noe.
- Gå alltid ut fra at verktøyet inneholder spikre. Hold verktøyet vendt bort fra deg selv og andre. Verktøyet skal ikke lekes med. Respekter verktøyet som et arbeidsredskap.
- Hold hender og bein på avstand fra retningen du skyter i.
- Kun erfarne brukere skal bruke spikerboreverktøy.

- Spikre skal kun skytes inn i arbeids- overflater, og aldri inn i materialer som er harde å trenge gjennom.
- Ekstra vertikalkraft er nødvendig ved bruk av verktøy for stål og betong. 
- Under bruk kan rester fra arbeidsstykker og kollasjons- systemer tømmes.
- Sørg for at verktøyet er sikkert plassert på arbeidsstykket, og at det ikke kan gli.

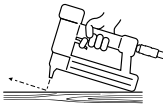
- Verktøy styrt med «kontaktaktuator» skal ikke brukes:

- Hvis endring av arbeidsposisjon påvirkes av trapper, stiger eller stillas.
- Til å lukke bokser eller kasser.
- For å montere transportsikkerhetssystemer.
- Plattformen i bevegelse



- Les og forstå risikoen knyttet til selektiv aktuator under «Bruk av verktøy»-seksjonen.

- Ikke bruk kraft når du håndterer verktøyet. La verktøyet gjøre jobben. Bruk korrekt verktøy til å gjennomføre jobben. Det korrekte verktøyet gjør jobben bedre og tryggere slik det er designet til.
- Ikke strekk deg for langt når i bruk
- Sørg for godt fotfeste og god balanse til enhver tid.

- Ikke skyt spikre oppå andre spikre eller med verktøyet i en for spiss vinkel.
- Spikere kan avledes og forårsake skader. 

- Når du bruker verktøyet, skal du være forsiktig på grunn av muligheten for at verktøyet støter tilbake etter at spikeren er skutt inn. Hvis kontaktnesen utilsikket kommer i kontakt med overflaten på nytt etter et tilbakestøt, vil en uønsket spiker skytes ut. Derfor bør du la verktøyet støte helt tilbake fra arbeidsoverflaten etter at en spiker er skutt inn for å unngå denne tilstanden. Ikke press kontaktnesen på arbeidsoverflaten før du ønsker å skyte inn enda en spiker.



- Hold verktøyet på riktig måte med et fast grep og vær forberedt på å motarbeide eller håndtere normale eller plutselige bevegelser slik som tilbakestøt. Grepet bør være trygt, men egnet til å redusere vibrasjonsfarer som kan forårsake alvorlige skader.
- Sørg for å ha en balansert kroppsposisjon og sikkert fotfeste.
- Vær forsiktig når du bruker trykkluftverktøy da verktøyet blir kaldt. Dette kan påvirke grepet og kontrollen.

- Ikke skyt inn spikre nær kanten av arbeidsoverflaten.
- Spikeren kan avledes og forårsake skader.
- Hold tilskuere på avstand.
- Marker arbeidsområdet ditt tydelig.

- Koble verktøyet fra luften før du foretar vedlikehold av verktøyet, fjerner en spiker som har satt seg fast, gjør justeringer, forlater arbeidsområdet, flytter verktøyet til et annet sted eller gir verktøyet til en annen person.



- Verktøyet kan utløse en spiker når det kobles til lufttilførselen. Derfor skal du ☹️ fjerne alle spikre fra verktøyet før du kobler til luftslangen.
- Vær forsiktig når du legger i og fjerner spikre. Spikere er spisse.

- Bruk aldri verktøyet hvis kontaktnesen, avtrekkeren eller fjæringen ikke fungerer, mangler eller er skadet. Ikke tukle med eller fjern kontaktnese, avtrekker eller fjæring.
- Modifiseringer kan redusere effektiviteten av sikkerhets tiltak og øke risikoen for bruker og de som befinner seg i nærheten.
- Ikke bruk verktøyet hvis det har blitt skadet.

- Sørg for at alle skruer og deksler er sikre og strammet til enhver tid. Sjekk daglig at avtrekker og kontaktnese kan bevegges fritt. Bruk aldri verktøyet hvis noen av delene mangler, er slitte eller skadet.
- Alltid bruk det andre håndtaket (hvis det følger med)

- Bruk kun deler, spikre, smøremidler og ekstrautstyr som anbefales eller selges av SENCO. Ikke modifiser verktøyet uten autorisasjon fra SENCO.

- Bruk kun ren, tørr og regulert trykkluft med anbefalt trykk.
- Slå alltid av luftforsyningen og koble fra verktøyet når det ikke er i bruk.

- Verktøy skal ikke være koblet til trykk som potensielt kan overskride maksimalt trykk med 10 %.
- Ikke overskrid maksimalt driftstrykk psi maks.

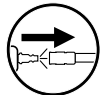
- Verktøy som er merket med en omvendt trekant skal ikke brukes med mindre de er utstyrt med en effektiv kontaktnese.



- Verktøy uten kontaktnese kan utilsikket skyte ut spikere og forårsake skader.

- Stativ for å montere verktøy for å støtte dem skal være utviklet og konstruert av stativprodusenten på en slik måte at verktøyet sikkert kan festes for tiltenkt bruk.

- Ledningen til verktøyet og luftforsynings-slangen må ha en tilkoblet nippel slik at alt trykk fjernes fra verktøyet når leddkoblingen kobles fra.



- Trykkluft kan forårsake alvorlige skader.
- Koble alltid verktøyet fra trykkluftforsyningen før du bytter ut ekstrautstyr, foretar justeringer og/eller reparasjoner eller når du beveger deg bort fra et arbeidsområde.
- Aldri rett trykkluft mot deg selv eller andre.
- Løse slanger kan forårsake alvorlige skader – sjekk alltid om slangen er skadet eller løs.

- Ikke legg i spiker mens det er trykk på avtrekkeren eller kontaktnesen.

- Ikke bruk verktøy som ikke har en advarsel-etikett. Hvis verktøyet mangler etiketten eller den er ødelagt eller uleselig, kan du kontakte din SENCO-representant for å få en ny etikett.



- Aldri bruk et verktøy som lekker luft eller som må repareres.
- Ikke bruk verktøyet hvis det er skadet.
- Aldri bær eller dra et trykkluftverktøy etter slangen.

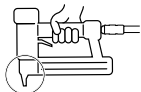
- Ikke foreta «nødreparasjoner» uten riktig verktøy og utstyr.

- Sjekk alltid om verktøyet har ødelagte, feiltilkoblede, løse eller slitte deler.



Du må ha en skriftlig godkjenning fra fabrikanten før du kan gjennomføre modifikasjoner på verktøyet.

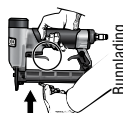

- Hold hender og andre kroppsdelene på avstand fra området som vises i sirkelen for å unngå potensielle skader under bruk.
- Hold fingre på avstand fra avtrekkeren når verktøyet ikke er i bruk og når du skifter posisjon.



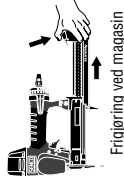

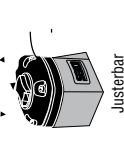







BRUK AV VERKTØYET

Verktøy	Lading	Tømming	Utløp	Avtrekkertype	Automatisk avfiring-mulighet	Justerings- og trengingsdybde	Løse opp en blokkering	Sikkerhetssement
SFT10XP		Frigjøring på verktøyetts bakside (B1)		Enkel (D1)	(E1)	Ingen	Via magasin	Ingen
SFT10XP-LIN		Frigjøring ved magasin (B2)	Bakside	Dobbel				
SFT10XP-DL	Bummlading (A1)	Frigjøring på verktøyetts bakside (B1)		Enkel (D1)	I.R.			
SFW09		Frigjøring ved magasin (B2)	Flyttbar			Ingen		
SFW05			Justerbar (C1)		I.R.	Ved sikkerhetsfot		
SKSXP								
SNS41XP								
NS20XP								
NS20BXP	Topplading (A2)	Trekk materen. Trykk for å frigjøre (B3)	Forside	Underskyting (I)	(E2)	Ved avtrekkerbrønnen	Port (F1)	Ja
PS15XP								
PS20XP						Ved sikkerhetsfot		
S0S55XP			Justerbar (C1)					
SLS25XP			Flyttbar		(E1)			
SLS20XP	Topplading (A2)	Trekk materen. Trykk for å frigjøre (B3)	Justerbar (C1)	Sekvensstøll (D1)	I.R.	Ved forbindelse	Port (F1)	Ja
SMS92								
SLS16Mg			Justerbar (C1)					
S150LS	Bummlading (A1)	Frigjøring på verktøyetts bakside (B1)	Bak, justerbar (C2)	Väljbar	I.R.	Ved avtrekkerbrønnen	Via magasin	Ja
S150MS			Justerbar (C1)	Enkel (D1)		Ved forbindelse		
WC330			Justerbar (C1)					
WC360	Topplading (A2)	Trekk materen. Trykk for å frigjøre (B3)	Forside	Enkel (D1)	I.R.	Ved forbindelse	Via magasin	Ja

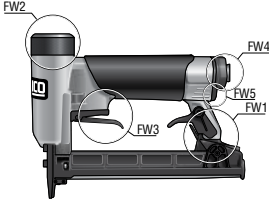

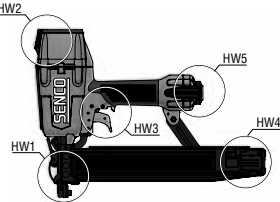

NO

Matriksbilde nr.	Beskrivelse	Bildnotater	Matriksbilde nr.	Beskrivelse	Bildnotater
A1	 <p>Bummlading</p>	Ikke lad mens det er trykk på avtrekkeren	D1	 <p>Enkel</p>	<p>① Trykk kontaktnesen (sikkerhetsselement) mot arbeidstykkets overflate.</p> <p>② Trykk på avtrekkeren, spikeren skytes ut.</p>

A2	 <p>Topplading</p>	Ikke lad mens det er kontakt med kontaktnesen (sikkerhetsselement) eller avtrekkeren er trykket inn.
B1	 <p>Frigjøring på verktøyets bakside</p>	Trykk ned sperren, skyv opp skinnen
B2	 <p>Frigjøring ved magasin</p>	Trykk ned sperren, skyv opp skinnen
B3	 <p>Trekk materen. Trykk for å frigjøre</p>	Trekk mateskoen tilbake til "åst" posisjon.
C1	 <p>Justerbar</p>	Deflektoren kan roteres for å endre utslippsluftens retning.
C2	 <p>Bak, justerbar</p>	Deflektoren kan roteres for å endre utslippsluftens retning.

D2	 <p>Bunn</p>	<p>① Trykk på avtrekkeren. ② Trykk inn kontaktnesen mot arbeidsstykkets overflate og skyt inn en spiker. Hver gang du trykker kontaktnesen (sikkerhetsselement) mot arbeidsstykkets overflate, skytes det inn en spiker.</p>
E1	 <p>Automatisk avfyring-mulighet</p>	Disse verktøyene er utstyrt med en skytehaugjustering. For å justere hastigheten kan skruen skrus maksimalt tre omdreininger mot klokken for å øke hastigheten. For å redusere hastigheten kan skruen skrus maksimalt tre omdreininger med klokken for å redusere hastigheten. For enkeltskuddoperasjon trykkes avtrekkeren bare delvis inn. For automatisk operasjon trykkes avtrekkeren helt inn.
E2	 <p>Automatisk avfyring-mulighet</p>	Dette verktøyet er utstyrt med en skytehaugjustering. For å justere hastigheten kan skruen skrus maksimalt tre omdreininger mot klokken (O) for å øke hastigheten. For å redusere hastigheten kan skruen skrus maksimalt tre omdreininger med klokken (P) for å redusere hastigheten.
F1	 <p>Port</p>	Løse E-Z Clear sperren og åpne døren.

VERKTØYELEMENTER

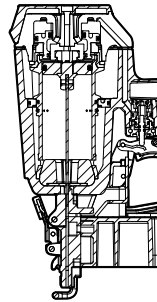
Stiftemaskin med tynn ståltråd	Stiftemaskin med medium ståltråd	Stiftemaskin med kraftig ståltråd
	<p>Bunnlading</p> 	
<p>FW1 Magasinfrigjøring FW2 Deksel FW3 Avtrekker FW4 Inntak FW5 Luftutløp</p>	<p>MW1 Kontaktnese MW2 Avtrekker MW3 Luftutløp MW4 Inntak MW5 Magasinfrigjøring</p> <p>Topplading</p>  <p>MW6 Matesko</p>	<p>HW1 Kontaktnese HW2 Luftutløp HW3 Avtrekker HW4 Matesko HW5 Inntak</p>

VEDLIKEHOLD

Advarsel

- Reparasjoner annet enn de som er beskrevet her skal kun utføres av opplært og kvalifisert personell. Kontakt SENCO for informasjon på: +31 320 295 575
 - Les avsnittet "Sikkerhetsadvarsel" for verktøyet vedlikeholdes.
 - Bruk kun reservedeler som er spesifisert av produsenten eller en autorisert representant.
-
- Alle skruer skal alltid være stramme. Løse skruer kan føre til utrygg bruk og at deler går i stykker.
 - Kontroller hver måned
-
- Gjennomfør daglig inspeksjon med verktøyet frakoblet, kontroller at kontaktnesen og avtrekkeren beveger seg fritt. Ikke bruk verktøyet hvis kontaktnesen eller arbeidsstykket sitter fast.
-
- Sprut Senco pneumatisk olje (5 til 10 dråper) inn i luftinntaket to ganger per dag (avhengig av bruksfrekvens av verktøyet). Andre oljer kan skade O-ringer og andre verktøydeler.
 - Enkelte Senco-verktøy er oljefrie og krever IKKE olje, se merking.
-
- Tørk verktøyet rent hver dag og se etter slitasje. Bruk ikke-brennbare rengjøringsløsninger kun hvis det er nødvendig.
 - **Må ikke legges i bløtt.**
 - **Forsiktig:** Slike løsninger kan skade O-ringer og andre verktøydeler.
 - Avhend rengjøringsmaterialer på riktig måte.

FEILSØKING



Hvis spikerblokering skulle skje:

- Koble fra lufttilførselen
- Fjern spikrene
- Klarer blokkeringen
- Følg ladeprosedyren

1	<p>SYMPTOMER Luftlekkasje nært øverste del av verktøyet / verktøyet jobber langsomt eller kraftløst</p> <p>LØSNING Verifiser lufttilførselen / stram skruer eller installer reparasjonssett – Se Delehandbok</p>
2	<p>SYMPTOMER Luftlekkasje nært nederste del av verktøyet/slitt returledning.</p> <p>LØSNING Rengjør verktøyet / stram skruer eller installer reparasjonssett Se Delehandbok</p>
3	<p>SYMPTOMER Andre problemer.</p> <p>LØSNING Kontakt SENCO.</p>

TEKNISKE DATA

Verktøytype	Minimum til maksimalt driftstrykk	Lufforbruk (60 sykkluser per minutt) liter	Luffinntak	Maksimumshastighet (sykluser per sekund)	Vekt kg	Stiftkapasitet	Verktøys måt: Høyde mm	Verktøys måt: Lengde mm	Verktøys måt: Bredder: Hovedhus mm
XtremePro-serien									
SFT10XP	4,5-7,0 bar	33,0	1/4 in. NPT	30 (Auto)	0,96	180	167	218	42,0
SFT10XP-DL	4,5-7,0 bar	33,0	1/4 in. NPT	30 (Auto)	1,31	180	167	376	42,0
SFT10XP-LN	4,5-7,0 bar	33,0	1/4 in. NPT	30 (Auto)	0,92	180	207	218	42,0
SLS20XP	4,8-8,3 bar	54,4	1/4 in. NPT	10	1,10	168	216	305	51,0
SLS25XP	4,8-8,3 bar	54,4	1/4 in. NPT	10	1,21	168	229	305	50,0
SKSXP	4,8-8,3 bar	61,2	1/4 in. NPT	5	1,90	145	238	314	76,0
NS20XP	4,8-8,3 bar	113,0	3/8 in. NPT	10	2,31	160	279	381	89,0
NS20BXP	4,8-8,3 bar	136,0	3/8 in. NPT	10	2,64	160	279	381	102,0
SQS55XP	5,5-8,3 bar	185,0	3/8 in. NPT	15	2,70	130	305	365	92,0
SNS50XP	5,5-8,3 bar	185,0	3/8 in. NPT	15	2,70	160	305	365	92,0
PS15XP	4,8-8,3 bar	90,0	3/8 in. NPT	10	2,30	160	225	387	89,0
PS20XP	4,8-8,3 bar	97,0	3/8 in. NPT	10	2,40	160	225	387	89,0
Pro-serien									
SFW09	4,8-8,3 bar	21,8	1/4 in. NPT	15	2,00	110	151	241	49,0
SLS18MG	4,8-8,3 bar	68,0	1/4 in. NPT	5	1,17	110	241	260	63,5
SMS92	5,0-8,0 bar	55,5	1/4 in. NPT	3	1 858	160	274	310	78,0
SNS41	5,5-8,3 bar	153,0	3/8 in. NPT	12	2,10	160	273	381	86,0
WC330-SP	5,0-8,0 bar	175,6	3/8 in. NPT		5,85	120	400	397	133,0
WC360-SP	5,0-8,0 bar	261,0	3/8 in. NPT		6,25	120	400	470	138,0
SemiPro-serien									
SFW05	5,2-6,9 bar	27,0	1/4 in. NPT	5	0,90	100	163	229	45,0
S150LS	4,8-8,3 bar	54,4	1/4 in. NPT	5	1,46	100	227	249	68,0
S150MS	4,8-8,3 bar	54,4	1/4 in. NPT	5	1,46	100	227	249	68,0

NO

STIFTEOMRÅDE

Verktøytype	Stiftetype																		
	A	AT	B	C	E	F	G	K	92	L	M	N	O	P	Q	S	SP		
SFT10XP	6-16	6-16	6-16	6-16	6-16	6-16	6-16												
SFT10XP-DL		6-16	6-16	6-16		6-16	6-16												
SFT10XP-LN		6-16		6-16															
SLS20XP								13-25		10-38	10-38								
SLS25XP										10-38	10-38								
SKSXP										19-38	22-38	22-38							
NS20XP												25-50	25-50						
NS20BXP												25-50	25-50						
SQS55XP															32-65	44-90			
SNS50XP												32-50							
PS15XP														16-38					
PS20XP														22-50					
SFW09		6-16		6-16		6-16													
SLS18MG										10-38	10-38								
SMS92									18-40										
SNS41												25-50	25-50						
WC330-SP																		65-130	
WC360-SP																		90-160	
SFW05		6-16	6-16	6-16															
S150										10-38	10-38								

Beimengde i mm

NO

STØYINFORMASJON

Støyinformasjon i samsvar med EN12549	Disse verdiene er verktøyrelaterede karakteristiske verdier og representerer ikke støytvikling ved brukspunktet. Designet av arbeidsstedet kan også redusere støynivåer, for eksempel ved å plassere arbeidsstykket på et støydempende underlag.
Vibrasjonsinformasjon i samsvar med EN 292 del 1 og 2	Denne verdien er en verktøyrelatert verdi og representerer ikke innvirkningen til hånd-arm-systemet når verktøyet er i bruk.

Verktøytype	Lydtrykknivå (L _{pa}) dB	Lydstyrkenivå (L _{wa}) dB	Vibrasjonsnivå m/s ²
XtremePro-serien			
SFT10XP	81,9	92,1	1,7
SFT10XP-DL	81,9	92,1	1,7
SFT10XP-LN	81,9	92,1	1,7
SLS20XP	80	87	<2,5
SLS25XP	83	89	<2,5
SKSXP	86	91	<2,5
NS20XP	90	96	2,3
NS20BXP	90	96	2,7
SQS55XP	93	99	3,1
SNS50XP	93	99	3,1
PS15XP	90	96	2,3
PS20XP	90	96	2,7
Pro-serien			
SFW09	66,3	74,2	<2,5
SLS18MG	84	91	<2,5
SMS92	89,9	102,9	<2,5
SNS41	84	92	<2,5
WC330-SP	90	103	2,86
WC360-SP	91	104	3,51
SemiPro-serien			
SFW05	80	85	<2,5
S150LS	88	101	<2,5
S150MS	88	101	<2,5

NO

TILBEHØR

SENCO kan tilby et komplett utvalg av tilbehør til dine SENCO-verktøy, inkludert:

- Luftkompressorer
- Slange
- Koblinger
- Tilbehør
- Vernebriller
- Trykkmålere
- Smøremidler
- Regulatorer
- Filtre



For mer informasjon eller en komplett illustrert katalog med SENCO-tilbehør, besøk SENCO.EU.

NO

INNEHÅLLSFÖRTECKNING

Arbetsgivarens ansvar.....	63
Allmän beskrivning	63
Varningar	63
Säkerhetsvarningar	64
Användning av verktyget.....	66
Underhåll	68
Felsökning	68
Tekniska data.....	69
Spik.....	70
Bullerinformation.....	71
Tillbehör	71
Deklaration om överensstämmelse	132
Begränsad garanti	134

ARBETSGIVARENS ANSVAR



Det är arbetsgivarens ansvar att försäkra sig om att denna bruksanvisning läses och förstås av all personal som är utsedd till att använda verktyget. Håll den här bruksanvisningen

tillgänglig för framtida referens. Det är mycket viktigt att göra en riskbedömning och genomförande av lämpliga kontroller för alla faror.

ARBETSPLATSFAROR

Följande gäller:

- Att halka, snubbla och falla är de främsta orsakerna till arbetsplatsskador. Var medveten om hala ytor som orsakas av användning av verktyget och även om faror som orsakas av luftledningsslangar.
- Fortsätt med extra försiktighet i okända omgivningar. Det kan finnas dolda risker, till exempel el- eller andra allmännyttiga ledningar.
- Detta verktyg är inte avsett att användas i explosionsfarliga omgivningar och är inte isolerat från att komma i kontakt med elkraft.
- Se till att det inte finns några elkablar, gasrör etc. som kan orsaka fara om de skadas genom användning av verktyget.

DAMM- OCH AVGASFAROR

Om verktyget används i ett område där det finns statistisk damm kan det röra upp dammet och orsaka fara.

Följande gäller:

- Riskbedömningen ska omfatta damm som skapas av verktyget och potentialen att röra upp befintligt damm.
- Rikta avgasröret för att minimera att damm rörs upp i en dammylld miljö.
- När det finns damm- eller avgasfara ska kontroll av detta vid utsläppspunkten prioriteras.

ALLMÄN BESKRIVNING

- Elektrisk handhållen spikpistol som består av en pneumatisk kraftenhet, styrkropp och magasin där energin tillämpas i en linjär rörelse till en laddad spik för att driva in spiken i definierade material om man inte använder en speciell spik som är avsedd att användas i betong eller stål.
- All annan användning är förbjuden.

VARNING

Verktyg med symbol ska endast användas för produktionstillverkning. All annan användning är förbjuden.



- Sätt inte fingret på utlösaren när du plockar upp verktyget, flyttar dig mellan arbetsområden och positioner eller promenerar, eftersom fingret på utlösaren kan leda till oavsiktlig drift. För verktyg med selektiv aktivering ska du alltid kontrollera verktyget före användning för att se om du har valt rätt läge.
- Det här verktyget har antingen selektiv aktivering för kontaktaktivering eller kontinuerlig kontaktaktivering genom att aktivera lägesväljare eller är ett kontaktaktiverings- eller kontinuerligt kontaktaktiveringsverktyg och har markerats med symbolen ovan. Dess avsedda användningsområden är för produktionstillverkningar, t.ex. lastpallar, möbler, industritillverkade bostäder, stoppad klädsel och fodral.
- Om du använder det här verktyget i selektivt aktiveringsläge ska du alltid kontrollera att det är i rätt aktiveringsinställning.
- Använd inte det här verktyget med kontaktaktivering för tillämpningar som exempelvis att stänga lådor eller packklaras och montera transportsäkerhetssystem på släp och lastbilar.
- Var försiktig när du byter från en körplats till en annan.

SÄKERHETSVARNINGAR

- Läs och förstå dessa varningar för att förhindra skador på dig själv och personer som står bredvid. Mer information finns i avsnittet om användning av verktyg, underhåll och felsökning.
- Underlåtenhet att följa varningar kan leda till allvarlig personskada.
- Kasta inte bort det.



- Operatörer och andra människor i arbetsområdet ska ha slagtäligt ögonskydd med sidoskydd. Underlåtenhet att bära detta kan orsaka allvarlig personskada. CE motsvarar EN166



- Använd alltid annan personlig skyddsutrustning, t.ex. hörselskydd, handskar och skyddshjälm.
- Använd endast handskar som ger tillräcklig känsla och säker kontroll av utlösare och justeringsanordningar.
- Operatörer och andra människor inom arbetsområdet ska bära hörselskydd.
- Oskyddad exponering för höga ljudnivåer kan orsaka permanent, funktionshinderande hörselnedsättning och andra problem, t.ex. tinnitus (ringande, surrande, pipande eller brummande ljud i öronen).
- Lämpliga kontroller för att minska risken kan omfatta till exempel dämpande material för att förhindra att arbetssytcken "ringer".
- Använd lämpligt hörselskydd.
- Använd och underhåll verktyget enligt rekommendationerna i dessa anvisningar för att förhindra onödig ökning av ljudnivåer.
- Om verktyget har en ljuddämpare ser du till att den är på plats och i gott skick när verktyget används.



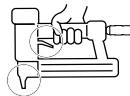
- Exponering för vibrationer kan orsaka funktionshinderande skador på nerverna och blodtillförseln till händer och armar.
- Använd varma kläder när du arbetar i kalla förhållanden och håll händerna varma och torra.
- Om du upplever domningar, stickningar, smärta eller blekning av huden på dina fingrar eller händer ska du uppsöka en behörig läkare inom företagshälsovården angående den övergripande verksamheten.
- Använd och underhåll verktyget enligt rekommendationerna i dessa anvisningar för att förhindra onödig ökning av vibrationsnivåer.
- Håll verktyget med ett lätt men stadigt grepp eftersom risken för vibrationer i allmänhet är större när gripkraften är högre.
- Var uppmärksam, se vad du gör och använd sunt förnuft när du använder ett elverktyg. Använd inte verktyget om du är trött eller påverkad av droger, alkohol eller mediciner. Ett ögonblick av ouppmärksamhet när du använder elverktyg kan resultera i allvarlig personskada.



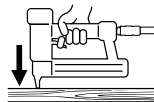
- Använd endast korrekt energiförsörjning i enlighet med anvisningarna
- Använd aldrig syre, koldioxid eller någon annan gas på flaska som strömkälla för detta verktyg eftersom verktyget kan explodera och orsaka allvarlig personskada.
- Användning av syre eller lättantändliga gaser för pneumatiska verktyg skapar brand- eller explosionsrisk.



- Ta alltid bort fingret från utlösaren när du inte kör in spikar. Bär aldrig verktyget med ett finger på eller under utlösaren. Verktyget kommer att mata ut en spik om arbetsstyckets kontakt stöts till.
- Verktygets viloläge är från sidan bortkopplat från luften.
- Viloläget innefattar att ta bort fingret från utlösaren och att placera verktyget så att arbetsstyckets kontakt inte påverkas.
- Antag alltid att verktyget innehåller spikar. Håll verktyget bortriktat bort från dig själv och från andra. Skoja inte med det. Respektera verktyget som ett fungerande redskap.
- Håll händer och ben borta från avfyrningsriktningen.
- Spikpistol bör endast användas av kunniga operatörer.



- Kör endast in spikar i arbetsytan och aldrig i material som är för svåra att penetrera.
- Ytterligare nedåtkraft krävs för stål- och betongverktyg.
- Under drift kan skräp från arbetssytcken och kontrollsystem släppas ut.
- Se till att verktyget alltid är säkert anslutet till arbetsstycket och att det inte kan glida.

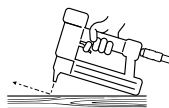


- Verktyg utrustade med "kontaktaktivering" får inte användas:
 - Om en förändring av körställen sker via trappor, stegar eller byggnadsställningar.
 - För stängning av lådor eller packlådor.
 - För montering av transportsäkerhetssystem.
 - Flytta plattformar
- Läs och förstå risken för selektiv aktivering i avsnittet "Användning av verktyg".



- Tvinga inte verktyget. Låt verktyget göra arbetet. Använd rätt verktyg för din tillverkning. Rätt verktyg gör jobbet bättre och säkrare i den takt det är utformat för.
- Gå inte för långt.
- Håll stabil bas och balans hela tiden.

- Kör inte in spikar ovanpå andra spikar eller med verktyget i en för lutande vinkel.
- Spikarna kan böjas och orsaka personskada.



- Vid användning av verktyget bör försiktighet vidtas på grund av möjligheten till verktygsrekyler efter att en spik körs in. Om arbetsstyckets kontakt får oavsiktlig kontakt med arbetsytan efter en rekyl kommer en oönskad spik att köras in. Därför ska verktyget rekylas helt från arbetsytan efter att en spik körs in för att undvika detta tillstånd. Tryck inte på arbetsstyckets kontakt på arbetsytan förrän en andra spik önskas.

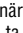


- Håll verktyget korrekt med ett fast grepp och var beredd att motverka och hantera normala eller plötsliga rörelser såsom rekylering. Greppet ska vara säkert men lämpligt för att minska vibrationer som kan orsaka allvarliga personskador.
- Behåll en balanserad kroppsposition och stabil bas.
- Var försiktig när du använder pneumatiska verktyg eftersom verktyget blir kallt. Detta kan påverka greppet och kontrollen.

- Kör inte in spikar nära arbetsytans kant.
- Spiken kan böjas och orsaka skada.
- Håll åskådare borta.
- Markera tydligt ditt arbetsområde.

- Koppla ur verktyget från luften innan du utför underhåll av verktyget, rensar en blockerad spik, gör justeringar, lämnar arbetsområdet, flyttar verktyget till en annan plats eller lämnar över verktyget till en annan person.



- Verktyget kan mata ut en spik när det är anslutet till lufttillförseln, därför ska du  ta bort alla spikar från verktyget innan du fäster luftslangen.
- Var försiktig vid hantering av spikar vid lastning/lossning. Spikar har vassa spetsar.

- Använd aldrig verktyget om arbetsstyckets kontakt, utlösare eller fjädrar inte går att använda eller saknas eller är skadade. Manipulera inte eller ta bort arbetsstyckets kontakt, utlösare eller fjädrar.
- Ändringar kan minska säkerhetsåtgärdernas effektivitet och öka risken för operatörer/åskådare.
- Använd inte verktyget om det har skadats.

- Se till att alla skruvar och lock alltid är ordentligt åtspända. Gör dagliga kontroller av att utlösare och arbetsstyckets kontakt kan röra sig fritt. Använd aldrig verktyg med saknade, slitna eller skadade delar.

- Använd alltid ett andra handtag (om det tillhandahålls)

- Använd endast delar, spikar, smörjmedel och tillbehör som rekommenderas eller säljs av SENCO. Ändra inte verktyget utan tillstånd från SENCO.

- Använd endast ren, torr, reglerad tryckluft vid rekommenderat tryck.
- Stäng alltid av lufttillförseln och koppla ur verktyget när det inte används.

- Verktyg får inte anslutas till tryck som potentiellt överskrider det maximala arbetstrycket med 10 %.
- Överskrid inte det maximala drifttrycket Ps max.

- Verktyg markerade med en inverterad triangel får inte användas om de inte är utrustade med en effektiv arbetsstyckeskontakt.



- Verktyg utan arbetsstyckeskontakt kan avfyra oavsiktligt och orsaka personskada.

- Stativ som stöd för monteringsverktyg ska utformas och tillverkas av stativets tillverkare så att verktyget kan fästas säkert för den avsedda användningen.

- Verktyget och lufttillförselslangen måste ha en anslutningsnippel så att allt tryck tas bort från verktyget när kopplingsleden är fränkopplad.



- Tryckluft kan orsaka allvarlig personskada.

- Koppla alltid bort verktyget från tryckluftsförsörjningen innan du byter tillbehör, gör justeringar och/eller reparationer eller flyttar från ett arbetsområde till ett annat.

- Rikta aldrig tryckluft mot dig själv eller någon annan.

- En piskande slang kan orsaka allvarlig personskada – kontrollera alltid om slangen är skadad eller lös.

- Ladda inte spikar med utlösaren eller arbetsstyckets kontakten nedtryckt.

- Använd inte verktyg utan varningsetikett. Om etiketten saknas, är skadad eller oläslig kontaktar du din SENCO-representant för att få en ny etikett.



- Använd aldrig ett verktyg som läcker luft eller som behöver repareras.

- Använd inte verktyget om det är skadat.

- Bär aldrig eller dra ett pneumatiskt verktyg i slangen.

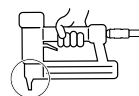
- Utför inga "akuta reparationer" utan rätt verktyg och utrustning.



- Kontrollera alltid verktyget före användning om det finns trasiga, felanslutna, lösa eller slitna delar.

Du måste erhålla skriftligt godkännande från verktygstillverkaren innan du gör några ändringar av verktyget.

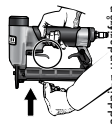
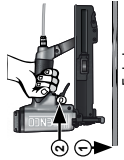
- Håll händer och andra kroppsdelar borta från det område som visas i cirkeln för att undvika eventuell personskada under drift.








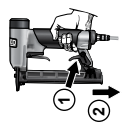
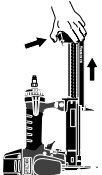

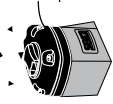

- Håll fingrarna borta från utlösaren när du inte använder verktyget och när du flyttar dig från en arbetsposition till en annan.

ANVÄNDNING AV VERKTYGET

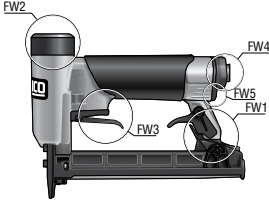
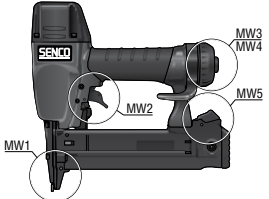
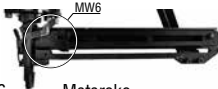
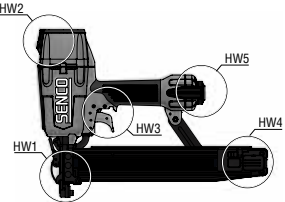
Verktyg	Laddning	Lossning	Agvas	Utfösarty	Aut. avfyrningsalternativ	Justeringsdjup	Rensa blockering	Säkerhetsselement
SFT10XP	Laddning underifrån (A1)	Utfösningmekanism på verktygets bakre del (B1)	Bak	Enkel (D1)	(E1)	Ingen	Via magasin	Ingen
SFT10XP-LN		Utfösningmekanism vid magasin (B2)		Dubbel				
SFT10XP-DL		Utfösningmekanism på verktygets bakre del (B1)		Enkel (D1)				
SFW09	Laddning ovanifrån (A2)	Utfösningmekanism vid magasin (B2)	Flyttbar		NA	Ingen		
SFW05			Justerbar (C1)					
SKSXP								
SNS41XP	Laddning ovanifrån (A2)	Dra mätaren. Tryck för att lösa ut (B3)	Fram	Botternavfyrning (I)	(E2)	På säkerhetsbas	Lucka (F1)	Ja
NS20XP								
NS20BXP								
PS15XP								
PS20XP								
SQS55XP	Laddning ovanifrån (A2)	Dra mätaren. Tryck för att lösa ut (B3)	Justerbar (C1)	Sekventiell (D1)	(E1)	På säkerhetsbas	Lucka (F1)	Ja
SLS25XP								
SLS20XP								
SMS92	Laddning underifrån (A1)	Utfösningmekanism på verktygets bakre del (B1)	Justerbar (C1)	Valbar	NA	På utfösaren	Via magasin	Ja
SLS18Mg								
S150LS								
S150MS	Laddning ovanifrån (A2)	Dra mätaren. Tryck för att lösa ut (B3)	Fram	Enkel (D1)	NA	Vid länksystem	Via magasin	Ja
WC330								
WC360								

Matrisbild nr.	Beskrivning	Bildanteckningar	Matrisbild nr.	Beskrivning	Bildanteckningar
A1	 <p>Laddning underifrån</p>	Ladda in te med utfösaren intryckt	D1	 <p>Enkel</p>	<p>Bildanteckningar</p> <p>① Tryck arbetsstyckets kontakt (säkerhetslement) mot arbetsytan. ② Tryck på utfösaren och spiken körs in.</p>

D2	 Botten	<p>① Tryck på utfösaren.</p> <p>② Tryck ned arbetsstyckets kontakt mot arbetsytan och kör in en spik.</p> <p>Varje gång du trycker arbetsstyckets kontakt (säkerhetslement) mot arbetsytan, körs en spik in.</p>
E1		<p>Dessa verktyg har en drivhastighetsjustering. För att justera hastigheten, rotera skruven moturs högst tre varv för att öka drivhastigheten. Rotera skruven högst tre varv medurs för att sänka drivhastigheten. För enkelstötshandtering, dra endast utfösaren delvis. För automatisk hantering, dra helt i utfösaren.</p>
E2	 Aut. avfyrningsalternativ	<p>Detta verktyg har en drivhastighetsjustering. För att justera hastigheten, rotera skruven moturs (O) högst tre varv för att öka drivhastigheten. Rotera skruven medurs (P) högst tre varv för att sänka drivhastigheten.</p>
F1	 Lucka	Öppna E-Z Clear regeln och öppna luckan.

A2	 Laddning ovanifrån	Ladda inte med arbetsstyckets kontakt (säkerhetslement) eller utfösaren nedtryckt
B1	 Utfösningsmekanism på verktygets bakre del	Tryck ned regel, öppna skenan
B2	 Utfösningsmekanism vid magasin	Tryck ned regel, öppna skenan
B3	 Dra mataren. Tryck för att lösa ut	Dra tillbaka matarskon till "låst" läge.
C1	 Justerbar	Luftavledaren kan vridas för att ändra riktningen för utsläppet av utloppsluften
C2	 Bak, justerbar	Luftavledaren kan vridas för att ändra riktningen för utsläppet av utloppsluften

VERKTYGSDELAR

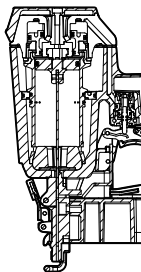
Trådklammverktyg för fin tråd	Trådklammverktyg för medium tråd	Trådklammverktyg för grov tråd
 <p>FW1 magasin FW2 Kåpa FW3 Utlösare FW4 Inlopp FW5 Avgas</p> <p>Utlösningsmekanism</p>	<p>Laddning underifrån</p>  <p>MW1 Arbetsstyckets kontakt MW2 Utlösare MW3 Avgas MW4 Inlopp MW5 Utlösningsmekanism magasin</p> <p>Laddning ovanifrån</p>  <p>MW6 Matarsko</p>	 <p>HW1 Arbetsstyckets kontakt HW2 Avgas HW3 Utlösare HW4 Matarsko HW5 Inlopp</p>

UNDERHÅLL

Varning

- Andra reparationer än de som beskrivs här, får endast utföras av utbildad och kvalificerad personal. Kontakta Senco för mer information på +31 320 295 575.
 - Läs avsnittet "Säkerhetsvarningar" innan underhåll utförs.
 - Använd endast reservdelar som specificeras av tillverkarern eller auktoriserad återförsäljare.
-
- Alla skruvar ska vara åtdragna. Lösa skruvar kan leda till osäker drift och att delar går sönder.
 - Kontrollera varje månad
-
- Med verktyget frånkopplat, gör dagliga kontroller av arbetsstyckets kontakt och utlösare, för att säkerställa att de kan röra sig fritt. Använd inte verktyget om arbetsstyckets kontakt eller utlösare fastnar eller kärvar.
-
- Spruta Senco pneumatisk olja (5 till 10 droppar) i luftinloppet två gånger om dagen (beroende på hur mycket verktyget används). Andra oljor kan skada O-ringar och andra verktygsdelar.
 - Vissa Senco-verktyg är oljefria och kräver INTE olja. Kontrollera etikett.
-
- Torka av verktyget varje dag och kontrollera slitage. Använd endast brandsäkra rengöringsmedel vid behov.
 - **Sänk inte ned i vätska.**
 - **Försiktig:** Sådana medel kan skada O-ringar och andra verktygsdelar.
 - Ävtytra rengöringsmaterial på ett korrekt sätt.

FELSÖKNING



Vid spikblockering:

- Koppla från lufttillförseln
- Ta bort spikar
- Rensa blockeringen
- Följ laddningsproceduren

1	<p>SYMPTOM Luftläcka nästan längst upp på verktyget / Trög drift</p> <p>LÖSNING Kontrollera lufttillförseln / dra åt skruvar eller installera reservdelssats – se Delmanual</p>
2	<p>SYMPTOM Luftläcka nästan längst ned på verktyget/Dålig retur.</p> <p>LÖSNING Rengör verktyget / dra åt skruvarna eller installera reservdelssats Se Delmanual</p>
3	<p>SYMPTOM Andra problem.</p> <p>LÖSNING Kontakta Senco.</p>

TEKNISKA DATA

Verktygstyp	Minsta till maximalt arbetstryck	Luftåtgång (60 cykler per minut) liter	Luftinlopp	Maximal hastighet (cykler per sekund)	Vikt kg	Klammerkapacitet	Verktygsstorlek: Höjd mm	Verktygsstorlek: Längd mm	Verktygsstorlek: Bredd: Huvudkropp mm
XtremePro-serien									
SFT10XP	4,5-7,0 bar	33,0	1/4 tums NPT	30 (Aut.)	0,96	180	167	218	42,0
SFT10XP-DL	4,5-7,0 bar	33,0	1/4 tums NPT	30 (Aut.)	1,31	180	167	376	42,0
SFT10XP-LN	4,5-7,0 bar	33,0	1/4 tums NPT	30 (Aut.)	0,92	180	207	218	42,0
SLS20XP	4,8-8,3 bar	54,4	1/4 tums NPT	10	1,10	168	216	305	51,0
SLS25XP	4,8-8,3 bar	54,4	1/4 tums NPT	10	1,21	168	229	305	50,0
SKSXP	4,8-8,3 bar	61,2	1/4 tums NPT	5	1,90	145	238	314	76,0
NS20XP	4,8-8,3 bar	113,0	3/8 tums NPT	10	2,31	160	279	381	89,0
NS20BXP	4,8-8,3 bar	136,0	3/8 tums NPT	10	2,64	160	279	381	102,0
SQS55XP	5,5-8,3 bar	185,0	3/8 tums NPT	15	2,70	130	305	365	92,0
SNS50XP	5,5-8,3 bar	185,0	3/8 tums NPT	15	2,70	160	305	365	92,0
PS15XP	4,8-8,3 bar	90,0	3/8 tums NPT	10	2,30	160	225	387	89,0
PS20XP	4,8-8,3 bar	97,0	3/8 tums NPT	10	2,40	160	225	387	89,0
Pro-serien									
SFW09	4,8-8,3 bar	21,8	1/4 tums NPT	15	2,00	110	151	241	49,0
SLS18MG	4,8-8,3 bar	68,0	1/4 tums NPT	5	1,17	110	241	260	63,5
SMS92	5,0-8,0 bar	55,5	1/4 tums NPT	3	1 858	160	274	310	78,0
SNS41	5,5-8,3 bar	153,0	3/8 tums NPT	12	2,10	160	273	381	86,0
WC330-SP	5,0-8,0 bar	175,6	3/8 tums NPT		5,85	120	400	397	133,0
WC360-SP	5,0-8,0 bar	261,0	3/8 tums NPT		6,25	120	400	470	138,0
SemiPro-serien									
SFW05	5,2-6,9 bar	27,0	1/4 tums NPT	5	0,90	100	163	229	45,0
S150LS	4,8-8,3 bar	54,4	1/4 tums NPT	5	1,46	100	227	249	68,0
S150MS	4,8-8,3 bar	54,4	1/4 tums NPT	5	1,46	100	227	249	68,0

SE

KLAMMER

Verktystyp	Klammertyp																	
	A	AT	B	C	E	F	G	K	92	L	M	N	O	P	Q	S	SP	
SFT10XP	6-16	6-16	6-16	6-16	6-16	6-16	6-16											
SFT10XP-DL		6-16	6-16	6-16		6-16	6-16											
SFT10XP-LN		6-16		6-16														
SLS20XP								13-25		10-38	10-38							
SLS25XP										10-38	10-38							
SKSXP										19-38	22-38	22-38						
NS20XP												25-50	25-50					
NS20BXP												25-50	25-50					
SQS55XP															32-65	44-90		
SNS50XP												32-50						
PS15XP														16-38				
PS20XP														22-50				
SFW09		6-16		6-16		6-16												
SLS18MG										10-38	10-38							
SMS92									18-40									
SNS41												25-50	25-50					
WC330-SP																	65-130	
WC360-SP																	90-160	
SFW05		6-16	6-16	6-16														
S150										10-38	10-38							

Benämning i mm

SE

BULLERINFORMATION

Bullerinformation i enlighet med EN12549	Dessa värden är verktygsrelaterade karakteristiska värden och representerar inte ljud som uppstår där verktyget används. Arbetsplatsens utformning kan reducera ljudnivåerna, till exempel genom att placera arbetsstycket på ljudabsorberande underlägg.
Vibrationsinformation i enlighet med EN 292 Del 1 & 2	Detta värde är ett verktygsrelaterat karakteristiskt värde och representerar inte påverkan på hand-arm-systemet vid användning av verktyget

Verktygstyp	Ljudtrycksnivå (Lpa) dB	Ljudstyrkenivå (Lwa) dB	Vibrationsnivå m/s ²
XtremePro-serien			
SFT10XP	81,9	92,1	1,7
SFT10XP-DL	81,9	92,1	1,7
SFT10XP-LN	81,9	92,1	1,7
SLS20XP	80	87	<2,5
SLS25XP	83	89	<2,5
SKSXP	86	91	<2,5
NS20XP	90	96	2,3
NS20BXP	90	96	2,7
SQS55XP	93	99	3,1
SNS50XP	93	99	3,1
PS15XP	90	96	2,3
PS20XP	90	96	2,7
Pro-serien			
SFW09	66,3	74,2	<2,5
SLS18MG	84	91	<2,5
SMS92	89,9	102,9	<2,5
SNS41	84	92	<2,5
WC330-SP	90	103	2,86
WC360-SP	91	104	3,51
SemiPro-serien			
SFW05	80	85	<2,5
S150LS	88	101	<2,5
S150MS	88	101	<2,5

TILLBEHÖR

SENCO erbjuder ett fullständigt tillbehörssortiment till dina SENCO-verktyg, inklusive:

- Luftkompressorer
- Slang
- Kopplingar
- Nippelar
- Skyddsglasögon
- Manometrar
- Smörjmedel
- Tryckregulatorer
- Filter

För mer information eller en fullständig illustrerad katalog över SENCO-tillbehör, besök SENCO.EU



SE

INDHOLDSFORTEGNELSE

Medarbejderansvar.....	73
Grundlæggende beskrivelse.....	73
Advarsler	73
Sikkerhedsadvarsler	74
Brug af værktøj.....	76
Vedligeholdelse	78
Fejlfinding	78
Tekniske specifikationer.....	79
Sømsortiment	80
Støjinformation	81
Tilbehør	81
Overensstemmelseserklæring.....	132
Begrænset garanti.....	134

MEDARBEJDERANSVAR



Det er medarbejderens ansvar at sikre, at denne vejledning læses og forstås af alt personale, tildelt til værktøjet. Gem denne vejledning til fremtidig reference.

Risikovurdering og indføring af passende kontroller for alle farer er meget vigtige.

FARER PÅ ARBEJDSPLADSEN

Følgende er gældende:

- Fare for at glide, snuble og falde er de største årsager til skader på arbejdspladsen. Vær opmærksom på glatte overflader forårsaget af brug af værktøjet og snublefarer forårsaget af slangen.
- Vær forsigtig når der arbejdes i ukendte omgivelser. Der kan findes skjulte farer, såsom elektricitet eller andre elkabler.
- Dette værktøj er ikke beregnet til brug i potentielt eksplosive atmosfærer og er ikke isoleret fra at komme i kontakt med elektrisk energi.
- Kontrollér, at der ikke er nogen elektriske kabler, gasrør osv., som kan udgøre en fare, hvis de beskadiges af værktøjet.

FARER IFM. STØV OG UDSTØDNING

Hvis værktøjet anvendes i et område, hvor der er statisk støv, kan det hvirvles op og forårsage fare.

Følgende er gældende:

- Risikovurdering bør inkludere støv dannet af værktøjet og risikoen for at eksisterende støv hvirvles op.
- Ret udstødningen i en retning, der minimerer forstyrrelsen af støv, i et miljø med meget støv.
- Hvor der dannes støv eller udstødningsfarer, skal man sørge for at kontrollere dem fra udstødningspunktet.

GRUNDLÆGGENDE BESKRIVELSE

- Håndholdt elektrisk sømpistol, der består af en pneumatisk effektkenhed, styrehus og magasin, hvor energien tilføres i en lineær bevægelse til et ladet søm, med det formål at slå sømmet ind i specifikke materialer medmindre der anvendes et specielt søm, beregnet til beton eller stål.
- Enhver anden brug er forbudt.

ADVARSELER

Værktøjet med symbol må kun anvendes til produktionsanordninger. Enhver anden brug er forbudt.




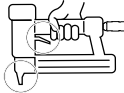
- Lad ikke fingeren hvile på aftrækkeren, når værktøjet tages op, når du flytter dig mellem arbejdsområder og positioner eller går, da det kan forårsage utilsigtet betjening. For værktøjer med selektiv aktivering skal du altid kontrollere værktøjet før brug for at sikre, at den korrekte tilstand er valgt.
- Dette værktøj har enten selektiv aktivering for knapaktivering eller løbende knapaktivering ved at aktivere tilstandsvælgere eller aktiveres ved knapaktivering eller løbende aktiveringsknap og er markeret med symbolet ovenfor. Den tilsluttede anvendelse er til produktionsanordninger, såsom paller, møbler, fremstillet indkapsling, møbelpolstring og beklædning.
- Hvis dette værktøj anvendes i tilstanden selektiv aktivering, skal det altid kontrolleres, at det anvendes i den korrekte aktiveringsindstilling.
- Brug ikke dette værktøj i knapaktivering til anvendelser, som at lukke papkasser eller kasser og påsætning af transportsikkerhedssystemer på anhængere og lastbiler.
- Vær forsigtig når der skiftes arbejdsplacering.

DK

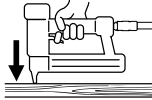
SIKKERHEDSADVARSLER



- Læs og forstå disse advarsler for at forhindre, at du selv eller andre kommer til skade. Se afsnittene 'brug, vedligeholdelse og fejlfinding for værktøjet' for yderligere oplysninger. 
- Manglende overholdelse af disse advarsler kan medføre alvorlig skade.
- Må ikke bortskaffes.
- Operatører og andre i arbejdsområdet skal bære slagfast øjenbeskyttelse med sideafskærmning. Manglende overholdelse af dette kan medføre alvorlig skade. CE der svarer til EN166 
- Bær altid andet personligt beskyttelsesudstyr, såsom høreværn, handsker og hjelm. 
- Bær kun handsker, der giver en passende fornemmelse og sikker kontrol af aftrækkeren og justeringsenheder.
- Operatører og andre personer i arbejdsområdet skal bære høreværn.
- Ubeskyttet eksponering for høje støjniveauer kan forårsage permanent, invaliderende høretab og andre problemer, såsom tinnitus (ringen, summen, fløjten eller brummen for ørerne).
- Passende kontroller til reducere af risikoen kan inkludere handlinger såsom dæmpningsmaterialer til at forhindre arbejdssemmer i at "ringe".
- Anvend passende høreværn.
- Betjen og vedligehold værktøjet, som anbefalet i vejledningerne, for at forhindre unødvendige stigninger i støjniveauer.
- Hvis værktøjet har en lydæmper, skal du altid kontrollere, at den er installeret og i god stand, når værktøjet betjenes.
- Eksponering for vibration kan forårsage invaliderende skade på nerver og blodtilførsel til hænder og arme. 
- Bær varmt tøj når der arbejdes under kolde forhold, hold dine hænder varme og tørre.
- Hvis du oplever følelsesløshed, prikken, smerte, eller huden på dine fingre eller hænder bliver bleg, skal du forhøre dig med en kvalificeret erhvervssundhedsprofessionel angående de samlede aktiviteter.
- Betjen og vedligehold værktøjet som anbefalet i vejledningerne for at forhindre unødvendige stigninger i vibrationsniveauer.
- Hold værktøjet med et let men sikkert greb, fordi risikoen for vibration normalt er større, når gribestyrken er højere.
- Vær opmærksom på hvad du gør og brug din sunde fornuft, når du betjener et elværktøj. Brug ikke værktøjet når du er træt eller påvirket af stoffer, alkohol eller medicin. Et øjeblik uopmærksomhed under betjening af elværktøjer, kan medføre alvorlig personskade.

- Anvend kun korrekt energiforsyning, som anvist 
- Anvend aldrig ilt, kuldioxid eller anden gas på flaske som energikilde til dette værktøj; værktøjet vil eksplodere og forårsage alvorlig skade.
- Anvendelse af ilt eller brændbare gasser til pneumatisk værktøjer udgør en brand- eller eksplosionsfare.

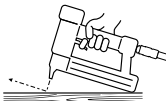
- Fjern altid fingeren fra aftrækkeren, når der ikke slås søm i. Bær aldrig værktøjet med en finger på aftrækkeren. Værktøjet afskyder et søm, hvis det støder ind i arbejdsemnet. 
- Værktøjets hvileposition er på siden, med luften afbrudt.
- Hvilepositionen inkluderer at fjerne fingeren fra aftrækkeren og placere værktøjet således, at det ikke kommer i kontakt med arbejdsemnet.

- Hånder altid værktøjet, som om det indeholder søm. Hold værktøjet rettet væk fra dig selv og andre. Ingen fjoller. Respekter værktøjet som et arbejdsredskab.
- Hold hænder og fødder væk fra affyringsretningen.
- Kun dygtige operatører bør anvende sømpistoler.

- Slå kun søm i arbejdsoverfladen, aldrig i materialer der er hårde at gennemtrænge. 
- Det er nødvendigt at lægge pres på værktøjet til stål og beton.
- Under betjening kan der blive udledt rester fra arbejdsemnet og indsamlingsystemet.
- Kontroller, at værktøjet altid er sikkert i indgreb på arbejdsemnet og ikke kan glide.

- Værktøjer udstyret med "Knapaktivering" må ikke anvendes:
 - Hvis der skiftes arbejdsområde via trapper, stiger eller stilladser.
 - Til at lukke papkasser eller kasser.
 - Til montering af transportsikkerhedssystemer.
 - Til at flytte platforme
- Læs og forstå risici i forbindelse med selektiv aktivering i afsnittet "Brug af værktøj". 


- Tving ikke værktøjet. Lad værktøjet gøre arbejdet. Brug det rigtige værktøj til din arbejdsopgave. Det rigtige værktøj vil udføre jobbet bedre og mere sikkert ved den hastighed, det er designet til.
- Stræk dig ikke for langt ud
- Hav godt fodfæste og hold balancen til enhver tid.

- Slå ikke søm oven i andre søm eller med værktøjet i en for stejl vinkel. 
- Sømmet kan blive bøjet og forårsage skade.

- Vær forsigtig med bagslag efter der slås søm i med værktøjet. Hvis der utilsigtet opstår kontakt med arbejdsområdet igen efter et bagslag, vil et nyt uønsket søm blive slået i. Tillad derfor værktøjet at lave bagslag væk fra arbejdsoverfladen, efter et søm er slået i for at undgå dette forhold. Tryk ikke på arbejdsomnekontakten på arbejdsfladen før et nyt søm skal slås i.

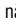


- Hold værktøjet korrekt i et fast greb og vær klar til at modvirke og styre normale eller pludselige bevægelser, såsom bagslag. Grebet bør være sikkert men passende for at reducere vibrationsfare, som kan forårsage alvorlig skade.
- Oprethold en afbalanceret kroppsposition og et sikkert fodfæste.
- Vær forsigtig, når der anvendes pneumatiske værktøjer, da værktøjet bliver koldt. Dette kan påvirke greb og kontrol.

- Slå ikke søm i tæt på kanten på arbejdsoverfladen.
- Sømmet kan blive bøjet og forårsage skade.
- Hold tilskuere på afstand.
- Marker tydeligt dit arbejdsområde.

- Afbryd værktøjet fra luft før det vedligeholdes, der fjernes søm der sidder fast, laves justeringer, arbejdsområdet forlades, værktøjet flyttes til et andet sted eller gives til en anden person.



- Værktøjet kan afskyde et søm, når det tilsluttes til lufttilførslen; derfor  skal alle søm fjernes fra værktøjet, før luftslangen påsættes.
- Vær forsigtig ved håndtering af søm, under ladning/afledning. Søm har skarpe spidser.
- Anvend aldrig værktøjet, hvis arbejdsomnekontakt, aftrækker eller fjedre er uvirksomme, mangler eller er beskadiget. Lav ikke indgreb på eller fjern arbejdsomnekontakt, aftrækker eller fjedre.
- Ændringer kan reducere effektiviteten af sikkerhedsforholdsregler og øge risikoen for operatør/tilskuere.
- Anvend ikke værktøjet, hvis det er beskadiget.

- Kontrollér, at alle skruer og hætter er sikkert påsat hele tiden. Lav daglige kontroller for fri bevægelse af aftrækker og arbejdsomnekontakt. Anvend aldrig værktøjet, hvis der mangler dele eller de er slidte eller beskadigede.

- Anvend altid det sekundære håndtag (hvis det medfølger)

- Anvend kun dele, søm, smøremidler og tilbehør, der anbefales eller sælges af SENCO. Værktøjet må ikke ændres uden tilladelse fra SENCO.

- Anvend kun ren, tør, reguleret trykluft ved anbefalet tryk.
- Slå altid lufttilførslen fra og afbryd værktøjet, når det ikke anvendes.

- Værktøjer må ikke tilsluttes til tryk, som overskrider det maksimale driftstryk med 10 %.
- Overskrid ikke det maksimale driftstryk PS maks.

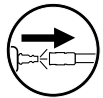
- Værktøjer markeret med en omvendt trekant må ikke anvendes, medmindre de udstyres med en effektiv arbejdsomnekontakt.



- Værktøjer uden arbejdsomnekontakt kan starte utilsigtet og forårsage skade.

- Stativer til montering af værktøjer på en holder, skal designes og fremstilles af producenten af stativet således, at værktøjet sikkert kan fastgøres til det tilsigtede formål.

- Værktøjet og lufttilførselsslagen skal have en tilslutningsstuds, så alt tryk fjernes fra værktøjet, når koblingssamlingen er afbrudt.



- Trykluft kan forårsage alvorlig skade.
- Afbryd altid værktøjet fra tryklufforsyningen, før der udskiftes tilbehør, laves justeringer og/eller reparationer, eller når det flyttes til et andet arbejdsområde.
- Ret aldrig trykluft mod dig selv eller nogen andre.
- Et slag med slangen kan forårsage alvorlig skade – kontroller altid for beskadiget eller løs slange.

- Ilæg ikke søm, når aftrækkeren eller arbejdsomnekontakten er nedtrykket.

- Anvend ikke værktøjet uden faremærkat på værktøjet. Hvis der mangler en mærkat, eller den er beskadiget eller ulæselig, skal du kontakte en SENCO-repræsentant for at få en ny mærkat.



- Anvend aldrig et værktøj, der lækker luft eller skal repareres.
- Anvend ikke, hvis værktøjet er beskadiget.
- Bær eller træk aldrig et pneumatisk værktøj i slangen.

- Udfør ikke nogle "nødreparationer" uden korrekt værktøj og udstyr.

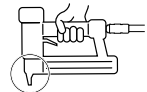
- Kontroller altid værktøjet før brug for ødelagte, fejltilsluttede, løse eller slidte dele.



Skriftlig godkendelse af fabrikanten af værktøjet skal opnås forud for enhver ændring på værktøjet.



- Hold hænder og andre dele af kroppen væk fra området vist i cirklen for at undgå mulig skade under betjening.



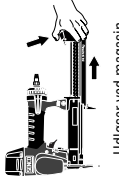

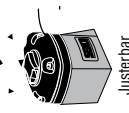

- Hold fingre væk fra aftrækkeren, når værktøjet ikke betjenes og når det flyttes til en ny driftsposition.







BRUG AF VÆRKTØJET

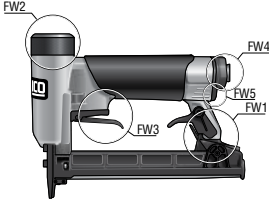
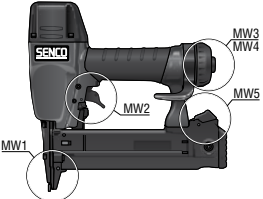

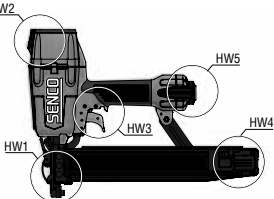
Værktøj	Ladning	Afladning	Udstødning	Aftrækkerstype	Automatisk aftryk	Justering af slagdybde	Fjernelse af søm, der sidder fast	Sikkerhedsselement
SFT10XP	Lademagasin i bund (A1)	Udløser bag på værktøj (B1)	Bagpå	Enkelt (D1)	(E1)	Ingen	Via magasin	Ingen
SFT10XP-LN		Udløser ved magasin (B2)						
SFT10XP-DL		Udløser bag på værktøj (B1)						
SFW09		Udløser ved magasin (B2)		Dobbelt				
SFW05				Enkelt (D1)	IR			
SKSXP			Flybar		IR	Ingen		
SNS41XP			Justerbart (C1)					
NS20XP						Ved sikkerhedsfod		
NS20BXP	Toplader (A2)	Træk skyder. Tryk for at udløse (B3)	Front	Afyngningsmekanisme i bunden (I)	(E2)	Ved aftrækker	Port (F1)	Ja
PS15XP								
PS20XP								
S0S55XP								
SLS25XP								
SLS20XP	Toplader (A2)	Træk skyder. Tryk for at udløse (B3)	Flybar	Sekventiel (D1)	(E1)	Ved forbindelsesled	Port (F1)	Ja
SMS92								
SL18Mlg			Justerbart (C1)		IR	Ved aftrækker		
S150LS	Lademagasin i bund (A1)	Udløser bag på værktøj (B1)	Justerbart (C1)	Enkelt (D1)	IR	Ved forbindelsesled	Via magasin	Ja
S150MIS								
WC330	Toplader (A2)	Træk skyder. Tryk for at udløse (B3)	Front	Enkelt (D1)	IR	Ved forbindelsesled	Via magasin	Ja
WC360								

Matrix billede nr.	Bemærkninger om billeder	Bemærkninger om billeder	Matrix billede nr.	Beskrivelse	Bemærkninger om billeder
A1	 Lademagasin i bund	Lad ikke værktøjet, når aftrækkeren er trykket ned			
D1			D1	 Enkelt	<p>① Tryk arbejdslemmekontakten (sikkerhedsanordning) mod arbejdsfladen.</p> <p>② Tryk på aftrækkeren og sømmen rammes ned.</p>

A2	 <p>Toplader</p>	Lad ikke værktøjet, når aftrækkeren eller arbejdsmekontakten (sikkerhedsanordning) er trykket ned
B1	 <p>Udløser bag på værktøjet</p>	Tryk på låsen; glideskinnen åbner
B2	 <p>Udløser ved magasin</p>	Tryk på låsen; glideskinnen åbner
B3	 <p>Træk skyder. Tryk for at udløse</p>	Træk skyderen tilbage til "låst" position.
C1	 <p>Justerbar</p>	Deflektoren kan roteres for at ændre retningen af udstødningsluften.
C2	 <p>Bagpå, justerbar</p>	Deflektoren kan roteres for at ændre retningen af udstødningsluften.

D2	 <p>Bund</p>	<p>① Tryk på aftrækkeren. ② Tryk arbejdsmekontaktelement mod arbejdsfladen, og slå et søm i. Hver gang du skubber arbejdsmekontakten (sikkerhedsanordning) mod arbejdsfladen, slås en søm i.</p>
E1	 <p>Automatisk afyring</p>	Disse værktøjer er udstyret med justering af skudhastigheden. For at justere hastigheden, drejes skruen ikke mere end tre gange mod uret for at øge skudhastigheden. Drej skruen ikke mere end tre gange med uret for at formindske skudhastigheden. Tryk kun delvist på aftrækkeren for enkeltskudsbetjening. Tryk aftrækkeren helt ind for automatisk betjening.
E2	 <p>Automatisk afyring</p>	Dette værktøj er udstyret med justering af skudhastigheden. For at justere hastigheden, drejes skruen ikke mere end tre gange mod uret (Q) for at øge skudhastigheden. Drej skruen ikke mere end tre gange med uret for at formindske skudhastigheden.
F1	 <p>Port</p>	Frigør E-Z Clear låsen til magasinet, og åbn døren.

VÆRKTØJSELEMENTER

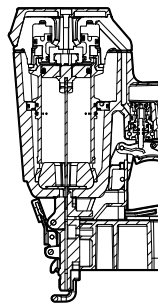
<p>Let tråd klammepistol</p>  <p>FW1 Udløsning af magasin FW2 Kappe FW3 Aftrækker FW4 Indtag FW5 Udstødning</p>	<p>Medium tråd klammepistol</p> <p>Lademagasin i bund</p>  <p>MW1 Arbejdsemnekontakt MW2 Aftrækker MW3 Udstødning MW4 Indtag MW5 Udløsning af magasin</p> <p>Topplader</p>  <p>MW6 Skyder</p>	<p>Kraftig tråd klammepistol</p>  <p>HW1 Arbejdsemnekontakt HW2 Udstødning HW3 Aftrækker HW4 Skyder HW5 Indtag</p>
--	---	--

VEDLIGEHOLDELSE

Advarsel

- Reparationer ud over de her beskrevne, bør kun udføres af uddannet kvalificeret personale. Kontakt SENCO for information ved at ringe til: +31 320 295 575.
 - Læs afsnittet "Sikkerhedsadvarsler" inden værktøjet vedligeholdes.
 - Brug kun reservedele, der er angivet af producenten eller autoriserede forhandlere.
-
- Alle skruer skal være skruet godt fast. Løse skrue resulterer i usikker betjening og beskadigelse af dele.
 - Kontrollér hver måned
-
- Foretag dagligt eftersyn for at sikre fri bevægelse af arbejdsemnekontakten og aftrækkeren, mens værktøjet er frakoblet. Brug ikke værktøjet, hvis arbejdsemnekontakten eller aftrækkeren sidder fast eller binder.
-
- Sprøjt SENCO pneumatisk olie (5 til 10 dråber) i luftindtaget to gange om dagen (afhængig af hvor hyppigt værktøjet bruges). Andre olietyper kan beskadige O-ringe og andre dele af værktøjet.
 - Nogle Senco værktøjer er oliefrie og KRÆVER IKKE olie. Kontrollér etiketten.
-
- Rengør værktøjet dagligt med en klud, og kontrollér for slitage. Brug ikke-antændelige rengøringsmidler, men kun hvis det er nødvendigt.
 - **Nedsæk ikke værktøjet i rengøringsvæske.**
 - **Forsigtigt!** Sådanne opløsningsmidler kan beskadige O-ringe og andre dele af værktøjet.
 - Bortskaf rengøringsmateriale korrekt.

FEJLFINDING



Hvis værktøjet blokeres af søm:

- Frakobl luftforsyningen
- Fjern sømme
- Afhjælp blokeringen
- Følg fremgangsmåden for lading

<p>1</p>	<p>SYMPTOM Luft siver ud i nærheden af værktøjets øverste del. / Værktøjet fungerer trægt.</p> <p>LØSNING Bekræft at luftforsyningen er tilstrækkelig. / Stram skrue eller installer reparationssettet. Se reservedelsmanualen</p>
<p>2</p>	<p>SYMPTOM Luftlækage i bunden af værktøjet/dårlig tilbagekomst.</p> <p>LØSNING Rens værktøj/stram skrue eller installer reparationssettet Se reservedelsmanualen</p>
<p>3</p>	<p>SYMPTOM Andre problemer.</p> <p>LØSNING Kontakt SENCO.</p>

TEKNISKE SPECIFIKATIONER

Værktøjstype	Minimum til maksimum driftstryk	Luftforbrug (60 cyklusser pr. minut) liter	Luftindtag	Maks. hastighed (cyklusser pr. sekund)	Vægt i kg	Stiftkapacitet	Værktøjsstørrelse: Højde i mm	Værktøjsstørrelse: Længde i mm	Værktøjsstørrelse: Bredde: Hoveddel i mm
XtremePro Serie									
SFT10XP	4,5-7,0 bar	33,0	1/4 i NPT	30 (automatisk)	0,96	180	167	218	42,0
SFT10XP-DL	4,5-7,0 bar	33,0	1/4 i NPT	30 (automatisk)	1,31	180	167	376	42,0
SFT10XP-LN	4,5-7,0 bar	33,0	1/4 i NPT	30 (automatisk)	0,92	180	207	218	42,0
SLS20XP	4,8-8,3 bar	54,4	1/4 i NPT	10	1,10	168	216	305	51,0
SLS25XP	4,8-8,3 bar	54,4	1/4 i NPT	10	1,21	168	229	305	50,0
SKSXP	4,8-8,3 bar	61,2	1/4 i NPT	5	1,90	145	238	314	76,0
NS20XP	4,8-8,3 bar	113,0	3/8 i NPT	10	2,31	160	279	381	89,0
NS20BXP	4,8-8,3 bar	136,0	3/8 i NPT	10	2,64	160	279	381	102,0
SQS55XP	5,5-8,3 bar	185,0	3/8 i NPT	15	2,70	130	305	365	92,0
SNS50XP	5,5-8,3 bar	185,0	3/8 i NPT	15	2,70	160	305	365	92,0
PS15XP	4,8-8,3 bar	90,0	3/8 i NPT	10	2,30	160	225	387	89,0
PS20XP	4,8-8,3 bar	97,0	3/8 i NPT	10	2,40	160	225	387	89,0
Pro Serie									
SFW09	4,8-8,3 bar	21,8	1/4 i NPT	15	2,00	110	151	241	49,0
SLS18MG	4,8-8,3 bar	68,0	1/4 i NPT	5	1,17	110	241	260	63,5
SMS92	5,0-8,0 bar	55,5	1/4 i NPT	3	1.858	160	274	310	78,0
SNS41	5,5-8,3 bar	153,0	3/8 i NPT	12	2,10	160	273	381	86,0
WC330-SP	5,0-8,0 bar	175,6	3/8 i NPT		5,85	120	400	397	133,0
WC360-SP	5,0-8,0 bar	261,0	3/8 i NPT		6,25	120	400	470	138,0
SemiPro Serie									
SFW05	5,2-6,9 bar	27,0	1/4 i NPT	5	0,90	100	163	229	45,0
S150LS	4,8-8,3 bar	54,4	1/4 i NPT	5	1,46	100	227	249	68,0
S150MS	4,8-8,3 bar	54,4	1/4 i NPT	5	1,46	100	227	249	68,0

DK

STIFTSORTIMENT

Værktøjstype	Stift type																		
	A	AT	B	C	E	F	G	K	92	L	M	N	O	P	Q	S	SP		
SFT10XP	6-16	6-16	6-16	6-16	6-16	6-16	6-16												
SFT10XP-DL		6-16	6-16	6-16		6-16	6-16												
SFT10XP-LN		6-16		6-16															
SLS20XP								13-25		10-38	10-38								
SLS25XP										10-38	10-38								
SKSXP										19-38	22-38	22-38							
NS20XP												25-50	25-50						
NS20BXP												25-50	25-50						
SQS55XP															32-65	44-90			
SNS50XP												32-50							
PS15XP														16-38					
PS20XP														22-50					
SFW09		6-16		6-16		6-16													
SLS18MG										10-38	10-38								
SMS92									18-40										
SNS41												25-50	25-50						
WC330-SP																		65-130	
WC360-SP																		90-160	
SFW05		6-16	6-16	6-16															
S150										10-38	10-38								

Bentlængde i mm

STØJINFORMATION

Støjinformation

i overensstemmelse med EN12549

Disse værdier er værktøjsrelaterede karakteristiske værdier og repræsenterer ikke støj udviklet på anvendelsesstedet. Konstruktionen af arbejdslokalet kan også tjene til at nedsætte støjniveauer, f.eks. ved at placere arbejdsområdet på støjdemperstøtter.

Information om svingning
i overensstemmelse med EN 292 Del 1 & 2

Denne værdi er en værktøjsrelateret karakteristisk værdi og repræsenterer ikke indflydelsen på hånd-arm-systemet, når værktøjet anvendes.

Værktøjstype	Lydtrykniveau (Lpa) dB	Lydeffektniveau (Lwa) dB	Vibrationsniveau m/s ²
XtremePro Serie			
SFT10XP	81,9	92,1	1,7
SFT10XP-DL	81,9	92,1	1,7
SFT10XP-LN	81,9	92,1	1,7
SLS20XP	80	87	<2,5
SLS25XP	83	89	<2,5
SKSXP	86	91	<2,5
NS20XP	90	96	2,3
NS20BXP	90	96	2,7
SQS55XP	93	99	3,1
SNS50XP	93	99	3,1
PS15XP	90	96	2,3
PS20XP	90	96	2,7
Pro Serie			
SFW09	66,3	74,2	<2,5
SLS18MG	84	91	<2,5
SMS92	89,9	102,9	<2,5
SNS41	84	92	<2,5
WC330-SP	90	103	2,86
WC360-SP	91	104	3,51
SemiPro Serie			
SFW05	80	85	<2,5
S150LS	88	101	<2,5
S150MS	88	101	<2,5

DK

TILBEHØR

SENCO tilbyder et komplet udvalg af tilbehør til Deres SENCO værktøjer, herunder:

- Luftkompressorer
- Slanger
- Koblinger
- Beslag
- Sikkerhedsbriller
- Manometre
- Smøremidler
- Regulatorer
- Filtre

For yderligere oplysninger eller et komplet illustreret katalog af SENCO tilbehør, gå til SENCO.EU



DK

ÍNDICE

Responsabilidades del empleador	83
Descripción general.....	83
Advertencias.....	83
Advertencias de seguridad.....	84
Uso de la herramienta	86
Mantenimiento	88
Solución de problemas	88
Datos técnicos	89
Gama de clavos.....	90
Información sobre ruidos	91
Accesorios	91
Declaración de conformidad.....	132
Garantía limitada	134

RESPONSABILIDADES DEL EMPLEADOR



Es responsabilidad del empleador asegurarse de que todo el personal asignado al uso de esta herramienta lea y comprenda este manual. Guarde este manual en lugar seguro para futuras consultas. Para prevenir todos los riesgos, es esencial realizar una evaluación de riesgos e implementar las medidas de control adecuadas.

RIESGOS DEL ENTORNO LABORAL

Son de aplicación los siguientes puntos:

- Resbalones, tropiezos y caídas son las causas principales de lesiones en el puesto de trabajo. Preste atención a la presencia de superficies deslizantes derivadas del uso de la herramienta y al riesgo de tropiezo por la manguera de suministro de neumático.
- Extreme la precaución al trabajar en entornos con los que no esté familiarizado. Podría haber peligros ocultos como electricidad u otros conductos de suministro.
- Esta herramienta no está diseñada para su uso en atmósferas potencialmente explosivas y no está aislada del contacto con la energía eléctrica.
- Asegúrese de que no haya presencia de cables eléctricos, conductos de gas, etc., que pudieran representar un riesgo en caso de sufrir daños por parte de la herramienta.

PELIGROS DERIVADOS DEL POLVO Y GASES DE ESCAPE

Si la herramienta se utiliza en áreas con acumulación de polvo estático, podría alterar la atmósfera suponiendo un riesgo.

Son de aplicación los siguientes puntos:

- La evaluación de riesgos debe incluir el polvo generado por el uso de la herramienta y la alteración potencial del polvo existente.
- Dirija los gases de escape minimizando la alteración de entornos con acumulación de polvo.
- Allí donde el polvo o los gases de escape generen un riesgo, la prioridad será su control en el punto de emisión.

DESCRIPCIÓN GENERAL

- Herramienta portátil de clavado mecánico que consta de: una unidad de accionamiento neumático, un bastidor guía y un cargador en el que la energía se aplica en forma de movimiento lineal a un clavo cargado para clavarlo en los materiales definidos, a menos que se use un clavo específico diseñado para uso en hormigón o acero.
- Queda prohibido cualquier otro uso.

ADVERTENCIAS

Las herramientas con este símbolo solo se utilizarán en aplicaciones de producción. Queda prohibido cualquier otro uso.

- No ponga los dedos sobre el gatillo al recoger la herramienta, trasladarla entre áreas y ubicaciones de trabajo ni al andar para evitar accionamientos accidentales. En herramientas con accionamiento selectivo, compruebe siempre la unidad antes de utilizarla para verificar la selección del modo correcto.
- Esta herramienta dispone de accionamiento selectivo por contacto o contacto continuo por medio de selectores de modo de accionamiento o es una herramienta de contacto de accionamiento por contacto o accionamiento continuo y está marcada con el símbolo anterior. Su uso previsto es para aplicaciones de producción como palés, mobiliario, casas de madera, tapicería y recubrimiento.
- Si se utiliza esta herramienta en modo de accionamiento selectivo, asegúrese en todo momento de que se encuentre en el ajuste correcto.
- No utilice esta herramienta en accionamiento por contacto en aplicaciones como cierre de cajas y montaje de sistemas de seguridad de transporte en remolques y camiones.
- Preste atención al cambiar entre posiciones de clavado.



ADVERTENCIAS DE SEGURIDAD

- Lea y comprenda estas advertencias para evitar lesiones personales y a terceros. Consulte las secciones de uso, mantenimiento y solución de problemas de la herramienta para obtener información adicional.



- No seguir las advertencias podría causar lesiones.
- No descartar.

- Los operadores y otros miembros del área de trabajo deberán utilizar protección ocular resistente a impactos con protecciones laterales. No hacerlo podría ocasionar lesiones graves. CE equivalente a EN166



- Utilice siempre equipo de protección personal como protección auditiva, guantes y casco.
- Utilice solo guantes que proporcionen el tacto adecuado y un control seguro de los gatillos y dispositivos de ajuste.
- Los operadores y el resto de los miembros del personal del área de trabajo utilizarán protección acústica.
- La exposición sin protección a altos niveles de ruido puede provocar pérdidas auditivas permanentes y otros problemas como zumbidos del oído (ruido de zumbidos, silbidos o pitidos en los oídos).
- Entre los controles adecuados para reducir el riesgo, pueden incluirse el uso de materiales de amortiguación para evitar que las piezas emitan zumbidos.
- Utilice la protección acústica adecuada.
- Utilice y mantenga la herramienta siguiendo las instrucciones recomendadas para evitar aumentos innecesarios de los niveles de ruido.
- Si la herramienta dispone de un silenciador, asegúrese siempre de que se encuentre en su sitio y en perfecto estado al utilizar la unidad.



- La exposición a la vibración puede ocasionar daños permanentes en los nervios y el riesgo sanguíneo de manos y brazos.
- Utilice ropa de abrigo al trabajar en climas fríos, mantenga las manos calientes y secas.
- Si sufre entumecimiento, hormigueo, dolor o falta de riego en la piel de dedos o manos, solicite asistencia médica a un profesional de salud laboral en actividades generales.
- Utilice y mantenga la herramienta siguiendo las instrucciones recomendadas para evitar aumentos innecesarios de los niveles de vibración.
- Sostenga la herramienta sujetando de forma no excesivamente firme, pero segura, ya normalmente la vibración aumenta con la fuerza de agarre.

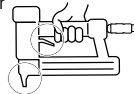


- Permanezca alerta, atento en todo momento a sus acciones y utilice el sentido común al utilizar herramientas mecánicas. No utilice herramientas si está cansado, bajo la influencia de estupefacientes, alcohol o medicación. Una falta de atención puntual durante el uso de herramientas mecánicas puede provocar lesiones graves.

- Utilice solo la fuente de energía correcta
- No utilice nunca oxígeno, dióxido de carbono ni otros gases embotellados para alimentar esta herramienta o explotará provocando lesiones graves.
- El uso de oxígeno o gases combustibles en herramientas neumáticas representa un riesgo de incendio o explosión.

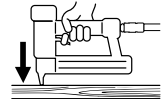


- Retire siempre los dedos del gatillo al clavar clavos. No transporte nunca la herramienta con el dedo en o bajo el gatillo. La herramienta disparará un clavo si se acciona el contacto con la pieza de trabajo.
- La posición de reposo de la herramienta se encuentra sobre su lateral, desconectada del suministro neumático.
- La posición de reposo incluye la retirada de los dedos del gatillo y disponer la herramienta de modo que no pueda accionarse el contacto con la pieza de trabajo.



- Asuma siempre que la herramienta está cargada con clavos. Evita orientar la herramienta hacia usted o hacia el resto de las personas que le rodean. No bromea. Considere siempre la herramienta como un accesorio de trabajo.
- Mantenga las manos y piernas alejadas de la dirección de disparo.
- Solo pueden utilizar pistolas de clavos operadores con formación específica.

- Clave los clavos solo sobre superficies de trabajo; nunca en materiales de difícil penetración.
- Será preciso ejercer fuerza adicional para herramientas de acero y hormigón.
- Durante la operación, la pieza y el sistema de recogida pueden generar suciedad o restos.
- Asegúrese de que la herramienta esté siempre acoplada de forma segura a la pieza de trabajo y no resbale.

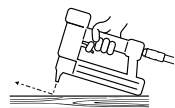


- Las herramientas dotadas con "accionamiento por contacto" no deben utilizarse:
 - Si un cambio en las posiciones de clavado se ve afectado por escaleras, escaleras de mano o andamios.
 - Para cerrar cajas.
 - Para el montaje de sistemas de seguridad de transporte.
 - Plataformas móviles
- Lea y comprenda los riesgos asociados al accionamiento selectivo de la sección "Uso de la herramienta".



- No fuerce la herramienta. Deje que la herramienta haga el trabajo. Utilice la herramienta adecuada a su aplicación. La herramienta realizará su tarea con más precisión y seguridad a la velocidad para la que fue diseñada.
- No se extralimite.
- Mantenga una posición firme y en equilibrio en todo momento.

- No clave clavos sobre otros clavos ni con la herramienta dispuesta en un ángulo excesivo.
- Los clavos pueden desviarse y provocar lesiones.



- Al utilizar la herramienta, exteme la precaución por la posibilidad de retroceso tras clavar un clavo. Si se acciona accidentalmente el contacto con la pieza de trabajo volviendo a producirse contacto con la superficie de aplicación tras el retroceso, podría dispararse accidentalmente un clavo. Por lo tanto, permite el retroceso completo de la herramienta apartada de la superficie de trabajo tras disparar un clavo para evitar este problema. No presione el contacto con la pieza de trabajo sobre la superficie de aplicación hasta que desee clavar otro clavo.



- Sujete la herramienta correcta y firmemente y esté preparado para contrarrestar y gestionar movimientos normales y repentinos como el retroceso. El agarre debe ser seguro pero el adecuado para reducir el peligro de vibraciones que puede ocasionar lesiones graves.
- Mantenga una posición firme y equilibrada.
- Tenga en cuenta que las herramientas neumáticas se enfrían. Condición que puede repercutir en el agarre y control.

- No clave clavos cerca del borde de la superficie de trabajo.
- Los clavos pueden desviarse y provocar lesiones.
- Mantenga el área de trabajo despejada de transeúntes.
- Marque claramente su área de trabajo.

- Desconecte la herramienta del suministro neumático antes de proceder con trabajos de mantenimiento en la herramienta, retirar un clavo atascado, realizar ajustes, abandonar el área de trabajo, trasladar la herramienta a otra ubicación o pasar la herramienta a otra persona.



- La herramienta puede disparar un clavo al conectarla al suministro neumático; por lo tanto, ☹ retire todos los clavos de la herramienta antes de acoplar la manguera de aire.
- Preste atención al gestionar la carga y descarga de los clavos. Los clavos tienen puntas afiladas.

- Nunca utilice la herramienta con el contacto con la pieza de trabajo, gatillo o muelles inoperativos, ausentes o dañados. No manipule ni desmonte el contacto con la pieza de trabajo, el gatillo o los muelles.
- Las modificaciones pueden reducir la efectividad de las medidas de seguridad y aumentar el riesgo para el operario/ transeúntes.
- No utilice la herramienta si presenta daños.

- Asegúrese de que todos los tornillos y tapas estén apretadas firmemente en todo momento. Efectúe inspecciones diarias en busca de holguras del gatillo y en el contacto con la pieza de trabajo. No utilice nunca la herramienta con piezas ausentes, desgastadas o dañadas.
- Utilice siempre la segunda agarradera (si existe)

- Utilice solo piezas, clavos, lubricantes y accesorios recomendados o vendidos por SENCO. No modifique las herramienta sin la autorización de SENCO.

- Utilice solo aire comprimido limpio, seco y regulado a la presión recomendada.
- Desactive siempre el suministro neumático y desconecte la herramienta cuando no vaya a usarla.

- No se conectarán herramientas a presiones que superen potencialmente la presión operativa máxima en un 10 %.
- No supere la presión operativa máxima PS máx.

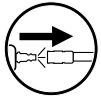
- Las herramientas marcadas con un triángulo invertido podrían no poder utilizarse a menos que estén dotadas con un contacto con la pieza de trabajo efectivo.



- Las herramientas que carezcan de contacto con la pieza de trabajo pueden incendiarse accidentalmente y provocar lesiones.

- Los soportes para montar herramientas en un apoyo estarán diseñados y fabricados por un fabricante de dichos componentes de modo que pueda sujetar de forma segura la herramienta para su utilización prevista.

- La herramienta y la manguera de suministro de aire deben contar con una boquilla de conexión que elimine toda la presión de la herramienta al desconectar el racor de acoplamiento.



- El aire comprimido puede provocar lesiones graves.
- Desconecte siempre la herramienta del suministro de aire comprimido antes de cambiar los accesorios, realizar ajustes y/o reparaciones o al trasladarla del área de trabajo a otra zona diferente.
- No oriente la salida de aire comprimido hacia usted ni hacia nadie más.
- El efecto látigo de la manguera puede provoca lesiones graves; compruebe siempre la presencia de daños o de mangueras sueltas.

- No cargue los clavos con el gatillo o con el contacto con la pieza de trabajo presionados.

- No utilice la herramienta sin la etiqueta de peligro. Si la etiqueta falta, está dañada o es ilegible, contacte con su representante de SENCO para obtener una nueva.



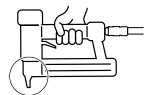
- Nunca utilice una herramienta que presente fugas de aire o que necesite reparación.
- No utilice la herramienta si presenta daños.
- No transporte ni arrastre herramientas neumáticas por su manguera.

- No realice "reparaciones de emergencia" sin contar con las herramientas o el equipo necesario.
- Compruebe siempre la presencia de piezas rotas, mal conectadas, sueltas o desgastadas en la herramienta antes de utilizarla.





Antes de realizar cualquier modificación en la herramienta, debe obtenerse aprobación por escrito del fabricante.



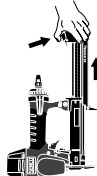
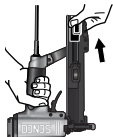


- Mantenga las manos y el resto de las partes del cuerpo alejadas del área macada con el círculo para evitar posibles lesiones durante la operación.
- Mantenga los dedos alejados del gatillo cuando no esté utilizando la herramienta y el trasladarla.







USO DE LA HERRAMIENTA

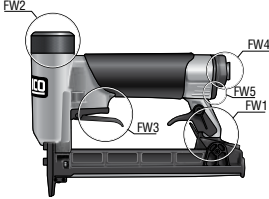
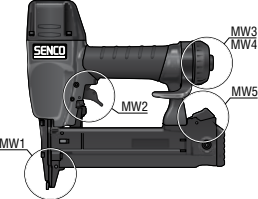

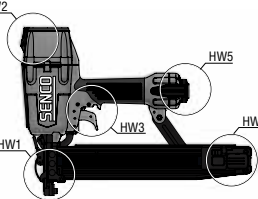
Herramienta	Carga	Descarga	Escape	Tipo de gatillo	Opción de disparo automático	Profundidad del ajuste del accionamiento	Liberación de atascos	Elemento de seguridad
SFT10XP	Carga en la parte inferior (A1)	Liberar en la parte trasera de la herramienta (B1)	Parte trasera	Único (D1)	(E1)	Ninguno	A través del cargador	Ninguno
SFT10XP-LN		Liberar en el cargador (B2)						
SFT10XP-DL		Liberar en la parte trasera de la herramienta (B1)						
SFW09		Liberar en el cargador (B2)	Móvil	Único (D1)	NA	Ninguno		
SFW05			Ajustable (C1)		NA	En el pie de seguridad		
SKSXP								
SNS41XP								
NS20XP								
NS20BXP	Carga en la parte superior (A2)	Tirar del alimentador. Tocar para liberar (B3)	Parte delantera	Acc. inferior (I)	(E2)	En el espacio del gatillo	Puerta (F1)	Sí
PS15XP								
PS20XP								
S0555XP			Ajustable (C1)			En el pie de seguridad		
SL325XP			Móvil		(E1)			
SL520XP	Carga en la parte superior (A2)	Tirar del alimentador. Tocar para liberar (B3)		Secuencial (D1)		En la articulación	Puerta (F1)	Sí
SMS92			Ajustable (C1)		NA			
SL518Mg			Parte trasera, ajustable (C2)	Seleccionable		En el espacio del gatillo		
S150LS	Carga en la parte inferior (A1)	Liberar en la parte trasera de la herramienta (B1)	Ajustable (C1)		NA	En la articulación	A través del cargador	Sí
S150MS			Ajustable (C1)	Único (D1)				
WC330	Carga en la parte superior (A2)	Tirar del alimentador. Tocar para liberar (B3)	Parte delantera	Único (D1)	NA	En la articulación	A través del cargador	Sí
WC360								

N.º de imagen de matriz	Descripción	Notas de la imagen	N.º de imagen de matriz	Descripción	Notas de la imagen
A1	 Carga en la parte superior (A2)	No cargar con el gatillo presionado	D1	 Único	<p>① Presione el contacto con la pieza de trabajo (elemento de seguridad) contra la superficie de trabajo.</p> <p>② Tire del gatillo para disparar el clavo.</p>

A2	 <p>Carga de la parte superior</p>	No cargue con el gatillo o el contacto con la pieza de trabajo (elemento de seguridad) presionados.
B1	 <p>1 2</p> <p>Liberar en la parte trasera de la herramienta</p>	Presione el cierre, deslice el carril para abrir
B2	 <p>Liberar en el cargador</p>	Presione el cierre, deslice el carril para abrir
B3	 <p>Tirar del alimentador. Tocar para liberar</p>	Tirar hacia atrás de la zapata del alimentador hasta la posición "bloqueada".
C1	 <p>Ajustable</p>	El deflector puede girarse para modificar la dirección del aire de salida
C2	 <p>Parte trasera, ajustable</p>	El deflector puede girarse para modificar la dirección del aire de salida

D2	 <p>1 2</p> <p>Parte inferior</p>	<p>① Accione el gatillo.</p> <p>② Presione el elemento de contacto con la pieza de trabajo contra la superficie de trabajo y dispare un clavo.</p> <p>Cada vez que presione el contacto con la pieza de trabajo (elemento de seguridad) contra la superficie de trabajo, se disparará un clavo.</p>
E1	 <p>Opción de disparo automático</p>	Estas herramientas están dotadas con un ajuste de velocidad de disparo. Para ajustar la velocidad, gire el tornillo un máximo de tres vueltas en sentido antihorario para aumentarla. Gire el tornillo en sentido horario un máximo de tres vueltas, para reducir la velocidad de disparo. Para obtener un solo disparo, tire del gatillo solo parcialmente. Para activar la operación automática, tire del gatillo por completo.
E2	 <p>Opción de disparo automático</p>	Esta herramienta está dotada con un ajuste de velocidad de disparo. Para ajustar la velocidad, gire el tornillo un máximo de tres vueltas en sentido antihorario (Q) para aumentarla. Gire el tornillo en sentido horario (P) un máximo de tres vueltas para reducir la velocidad.
F1	 <p>Puerta</p>	Liberar E-Z. Quitar el cierre y abrir la puerta.

ELEMENTOS DE LA HERRAMIENTA

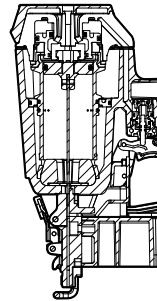
Grapa de cable fino	Grapa de cable medio	Grapa de cable pesado
 <p>FW1 Liberación del cargador</p> <p>FW2 Tapa</p> <p>FW3 Gatillo</p> <p>FW4 Entrada</p> <p>FW5 Salida</p>	<p>Carga en la parte inferior</p>  <p>MW1 Contacto con la pieza de trabajo</p> <p>MW2 Gatillo</p> <p>MW3 Salida</p> <p>MW4 Entrada</p> <p>MW5 Liberación del cargador</p> <p>Carga en la parte superior</p>  <p>MW6 Zapata del alimentador</p>	 <p>MW1 Contacto con la pieza de trabajo</p> <p>MW2 Salida</p> <p>MW3 Gatillo</p> <p>MW4 Zapata del alimentador</p> <p>MW5 Entrada</p>

MANTENIMIENTO

Advertencia

- Las reparaciones no descritas en este documento deben realizarse exclusivamente profesionales cualificados y con formación. Contacte con SENCO para obtener más información en el teléfono: +31 320 295 575.
- Lea la sección "Advertencias de seguridad" antes de realizar trabajos de mantenimiento en la herramienta.
- Utilice solo repuestos especificados por el fabricante o el representante autorizado.
- Todos los tornillos deben estar apretados firmemente. La presencia de tornillos sueltos puede derivar en rotura de piezas y en un funcionamiento inseguro.
- Realizar una comprobación mensual
- Con la herramienta desconectada, realice una inspección diaria para garantizar que el contacto con la pieza de trabajo y el gatillo se mueven libremente. No utilice la herramienta si el contacto con la pieza de trabajo o el gatillo presentasen alguna limitación u obstrucción.
- Aplique un poco de aceite neumático Senco (de 5 a 10 gotas) en la entrada de aire dos veces al día (dependiendo de la frecuencia de uso de la herramienta). Otros aceites podrían dañar las juntas tóricas u otras piezas de la herramienta.
- Algunas herramientas Senco funcionan sin aceite y, por tanto, NO lo requieren; compruebe la etiqueta.
- Limpie la herramienta a diario e inspecciónela en busca de posible desgaste. Utilice solo soluciones de limpieza no inflamables, en caso necesario.
- No sumergir.**
- Precaución:** otras soluciones podrían dañar las juntas tóricas u otras piezas de la herramienta.
- Elimine los materiales de limpieza por las vías adecuadas.

SOLUCIÓN DE PROBLEMAS



Si se produce un atasco de grapas:

Desconecte el suministro de aire

Retire los clavos

Elimine el atasco

Siga el procedimiento de carga

1	<p>SÍNTOMA Fuga de aire próxima a la parte superior de la herramienta. / Funcionamiento lento</p> <p>SOLUCIÓN Verifique el suministro de aire/apriete de los tornillos o monte el kit de reparación; consulte el manual de piezas</p>
2	<p>SÍNTOMA Fuga de aire en la parte inferior de la herramienta / Retorno débil.</p> <p>SOLUCIÓN Limpie la herramienta/Apriete los tornillos o monte el kit de piezas. Consultar el manual de piezas</p>
3	<p>SÍNTOMA Otros problemas.</p> <p>SOLUCIÓN Contacte con SENCO.</p>

ESPECIFICACIONES TÉCNICAS

Tipo de herramienta	Presión operativa mínima-máxima	Consumo de aire (60 ciclos por minuto), litros	Entrada de aire	Velocidad máxima (ciclos por segundo)	Peso, kg	Capacidad de la grapa	Dimensiones de la herramienta: Alto, mm	Dimensiones de la herramienta: Longitud en mm	Dimensiones de la herramienta: Ancho: Cuerpo principal, mm
XtremePro Series									
SFT10XP	4,5-7,0 bar	33,0	1/4 pulg. NPT	30 (Auto)	0,96	180	167	218	42,0
SFT10XP-DL	4,5-7,0 bar	33,0	1/4 pulg. NPT	30 (Auto)	1,31	180	167	376	42,0
SFT10XP-LN	4,5-7,0 bar	33,0	1/4 pulg. NPT	30 (Auto)	0,92	180	207	218	42,0
SLS20XP	4,8-8,3 bar	54,4	1/4 pulg. NPT	10	1,10	168	216	305	51,0
SLS25XP	4,8-8,3 bar	54,4	1/4 pulg. NPT	10	1,21	168	229	305	50,0
SKSXP	4,8-8,3 bar	61,2	1/4 pulg. NPT	5	1,90	145	238	314	76,0
NS20XP	4,8-8,3 bar	113,0	3/8 pulg. NPT	10	2,31	160	279	381	89,0
NS20BXP	4,8-8,3 bar	136,0	3/8 pulg. NPT	10	2,64	160	279	381	102,0
SQS55XP	5,5-8,3 bar	185,0	3/8 pulg. NPT	15	2,70	130	305	365	92,0
SNS50XP	5,5-8,3 bar	185,0	3/8 pulg. NPT	15	2,70	160	305	365	92,0
PS15XP	4,8-8,3 bar	90,0	3/8 pulg. NPT	10	2,30	160	225	387	89,0
PS20XP	4,8-8,3 bar	97,0	3/8 pulg. NPT	10	2,40	160	225	387	89,0
Pro Series									
SFW09	4,8-8,3 bar	21,8	1/4 pulg. NPT	15	2,00	110	151	241	49,0
SLS18MG	4,8-8,3 bar	68,0	1/4 pulg. NPT	5	1,17	110	241	260	63,5
SMS92	5,0-8,0 bar	55,5	1/4 pulg. NPT	3	1.858	160	274	310	78,0
SNS41	5,5-8,3 bar	153,0	3/8 pulg. NPT	12	2,10	160	273	381	86,0
WC330-SP	5,0-8,0 bar	175,6	3/8 pulg. NPT		5,85	120	400	397	133,0
WC360-SP	5,0-8,0 bar	261,0	3/8 pulg. NPT		6,25	120	400	470	138,0
SemiPro Series									
SFW05	5,2-6,9 bar	27,0	1/4 pulg. NPT	5	0,90	100	163	229	45,0
S150LS	4,8-8,3 bar	54,4	1/4 pulg. NPT	5	1,46	100	227	249	68,0
S150MS	4,8-8,3 bar	54,4	1/4 pulg. NPT	5	1,46	100	227	249	68,0

ES

RANGO DE LAS GRAPAS

Tipo de herramienta	Tipo de grapa																	
	A	AT	B	C	E	F	G	K	92	L	M	N	O	P	Q	S	SP	
SFT10XP	6-16	6-16	6-16	6-16	6-16	6-16	6-16											
SFT10XP-DL		6-16	6-16	6-16		6-16	6-16											
SFT10XP-LN		6-16		6-16														
SLS20XP								13-25		10-38	10-38							
SLS25XP										10-38	10-38							
SKSXP										19-38	22-38	22-38						
NS20XP												25-50	25-50					
NS20BXP												25-50	25-50					
SQS55XP															32-65	44-90		
SNS50XP												32-50						
PS15XP														16-38				
PS20XP														22-50				
SFW09		6-16		6-16		6-16												
SLS18MG										10-38	10-38							
SMS92									18-40									
SNS41												25-50	25-50					
WC330-SP																	65-130	
WC360-SP																	90-160	
SFW05		6-16	6-16	6-16														
S150										10-38	10-38							

Longitud de la pata, mm

INFORMACIÓN SOBRE RUIDOS

Información sobre ruidos
de acuerdo con la norma
EN12549

Estos valores son característicos de la herramienta y no representan el ruido generado en el punto de uso. El diseño del entorno de trabajo también puede servir para reducir los niveles de ruido, por ejemplo disponerlo sobre soportes con amortiguación acústica.

Información sobre vibraciones
de acuerdo con la norma
EN 292 sección 1 y 2

Este valor es una cifra característica asociada a la herramienta y no representa la influencia sobre el sistema mano-brazo al utilizar la herramienta.

Tipo de herramienta	Nivel de presión acústica (LpA), dB	Nivel de potencia acústica (Lwa), dB	Nivel de vibración, m/s2
XtremePro Series			
SFT10XP	81,9	92,1	1,7
SFT10XP-DL	81,9	92,1	1,7
SFT10XP-LN	81,9	92,1	1,7
SLS20XP	80	87	<2,5
SLS25XP	83	89	<2,5
SKSXP	86	91	<2,5
NS20XP	90	96	2,3
NS20BXP	90	96	2,7
SQS55XP	93	99	3,1
SNS50XP	93	99	3,1
PS15XP	90	96	2,3
PS20XP	90	96	2,7
Pro Series			
SFW09	66,3	74,2	<2,5
SLS18MG	84	91	<2,5
SMS92	89,9	102,9	<2,5
SNS41	84	92	<2,5
WC330-SP	90	103	2,86
WC360-SP	91	104	3,51
SemiPro Series			
SFW05	80	85	<2,5
S150LS	88	101	<2,5
S150MS	88	101	<2,5

ES

ACCESORIOS

SENCO ofrece una gama completa de accesorios para sus herramientas SENCO, incluyendo:

- Compresores de aire
- Manguera
- Acopladores
- Racores
- Gafas de seguridad
- Manómetros
- Lubricantes
- Reguladores
- Filtros

Para obtener más información o un catálogo ilustrado completo de accesorios SENCO, visite SENCO.UE



ES

SOMMARIO

Responsabilità del datore di lavoro	93
Descrizione generale.....	93
Avvertenze.....	93
Avvisi di sicurezza	94
Utilizzo	96
Manutenzione	98
Risoluzione dei problemi	98
Dati tecnici	99
Gamma chiodi	100
Informazioni sulla rumorosità.....	101
Accessori	101
Dichiarazione di conformità	132
Garanzia limitata.....	134

RESPONSABILITÀ DEL DATORE DI LAVORO



Il datore di lavoro è tenuto ad assicurarsi che tutto il personale assegnato all'utilizzo di questo utensile abbia letto e compreso il presente manuale. Tenere il manuale a

disposizione affinché possa essere consultato in qualsiasi momento. La valutazione del rischio e l'implementazione di controlli adeguati per tutte le situazioni di pericolo sono di fondamentale importanza.

RISCHI SUL LUOGO DI LAVORO

Si prega di tenere presente quanto segue:

- Scivolare, inciampare e cadere sono le principali cause di infortuni sul lavoro. Prestare attenzione alle superfici rese scivolose dall'uso dell'utensile, nonché al rischio di inciampare a causa del flessibile dell'aria.
- In ambienti che non si conoscono operare con estrema attenzione. Possono essere presenti rischi nascosti, come quelli connessi all'elettricità o ad altre linee di servizi.
- Questa chiodatrice non è adatta all'utilizzo in atmosfere potenzialmente esplosive e non è isolata dal contatto con la corrente elettrica.
- Assicurarsi che non vi siano cavi elettrici, condotte del gas, ecc. che possano creare un pericolo se danneggiati dall'uso della sparachiodi.

RISCHI RELATIVI A POLVERE E USCITA DELL'ARIA

Se l'utensile è utilizzato in ambienti ricchi di polvere statica, la polvere potrebbe sollevarsi e costituire un pericolo.

Si prega di tenere presente quanto segue:

- Nella valutazione del rischio si dovrebbe considerare la polvere creata dall'uso dell'utensile e il potenziale di rischio rappresentato dalla polvere esistente.
- Direzionare l'uscita dell'aria in modo da ridurre al minimo il disturbo creato alla polvere in un ambiente pieno di polvere.
- In presenza di questi rischi, la priorità deve essere quella di controllarli nel punto di emissione.

DESCRIZIONE GENERALE

- Pistola sparachiodi (chiodatrice) manuale consistente in una centralina pneumatica, un corpo guida e un caricatore in cui con un movimento lineare si applica energia a un chiodo caricato allo scopo di conficcare dei chiodi all'interno di determinati materiali ad eccezione del caso in cui si usino chiodi speciali progettati per l'utilizzo su calcestruzzo o acciaio.
- Qualsiasi altro utilizzo è vietato.

AVVERTENZE

Le chiodatrici contrassegnate da questi simboli devono essere utilizzate esclusivamente per applicazioni produttive. Qualsiasi altro utilizzo è vietato.



- Non lasciare il dito sul grilletto quando si afferra l'utensile, quando ci si sposta tra diverse zone e posizioni operative o si cammina, poiché questo potrebbe provocare un azionamento involontario dello stesso. Per gli utensili dotati di attivazione selettiva, si prega di controllare sempre l'utensile per accertarsi che sia stata selezionata la modalità corretta.
- Questo utensile può essere dotato di un selettore della modalità di azionamento che consente di scegliere fra la modalità di sparo a contatto singolo e quella di sparo a contatto sequenziale, oppure può essere solo nella versione con sparo singolo o solo in quella con sparo sequenziale ed è contrassegnato dal simbolo sopraindicato. È progettato per essere utilizzato in applicazioni produttive come pallet, mobili, case prefabbricate, rivestimenti e coperture.
- Se si usa l'utensile nella modalità di attivazione selettiva, assicurarsi sempre che si trovi nell'impostazione di attivazione corretta.
- Nella versione con sparo singolo, non utilizzare questo utensile per chiudere scatole o casse o per installare sistemi di sicurezza per il trasporto su rimorchi e autocarri.
- Prestare attenzione quando ci si sposta da un punto di fissaggio a un altro.

AVVISI DI SICUREZZA

- Per prevenire infortuni all'utilizzatore e alle persone presenti, leggere e comprendere queste avvertenze. Per ulteriori informazioni, consultare le sezioni relative all'utilizzo, alla manutenzione e alla risoluzione dei problemi.
- Il mancato rispetto delle avvertenze implica il rischio di gravi infortuni.
- Non buttare via.



- Operatori e altre persone presenti nell'area di lavoro devono indossare occhiali di sicurezza resistenti agli urti con protezioni laterali. In caso contrario, si possono rischiare gravi incidenti. CEE equivalente alla norma EN166



- Indossare sempre altri dispositivi di protezione individuale come cuffie, guanti e casco.
- Indossare esclusivamente guanti che consentano un'adeguata sensibilità e un controllo sicuro dei grilletti e dei dispositivi di regolazione.
- Operatori e altre persone presenti nell'area di lavoro devono indossare dispositivi di protezione dell'udito.
- L'esposizione non protetta a elevati livelli di rumore può causare una perdita di udito permanente e invalidante e altri problemi come acufene (suono, ronzio, fischio o brusio nelle orecchie).
- Per ridurre il rischio può essere opportuno utilizzare, tra le altre cose, materiali assorbenti per evitare il "ronzio" dei pezzi da lavorare.
- Indossare sempre dispositivi di protezione dell'udito.
- Per evitare un inutile innalzamento dei livelli di rumore, il funzionamento e la manutenzione dell'utensile devono seguire i suggerimenti forniti in queste istruzioni.
- Se l'utensile è dotato di silenziatore, assicurarsi sempre che questo sia in posizione e in buone condizioni operative quando l'utensile è in funzione.



- L'esposizione alle vibrazioni può causare danni invalidanti ai nervi e alla circolazione del sangue negli arti superiori.
- Quando si lavora in ambienti freddi, indossare abiti caldi, tenere le mani asciutte e al caldo.
- Nel caso in cui si noti intorpidimento, formicolio, dolore o sbiancamento della pelle delle dita o delle mani, consultare un medico specializzato in medicina del lavoro.
- Per evitare un inutile innalzamento dei livelli di vibrazione, il funzionamento e la manutenzione dell'utensile devono seguire i suggerimenti forniti in queste istruzioni.
- Impugnare l'utensile senza forza eccessiva, ma in modo sicuro, perché il rischio di vibrazione è solitamente maggiore se maggiore è la forza d'impugnatura.

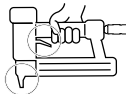


- Restare vigili, prestare attenzione a ciò che si fa e usare il buon senso quando si opera con un utensile elettrico. Non usarlo quando si è stanchi o sotto l'influenza di droghe, alcool o medicinali. Un momento di disattenzione potrebbe causare gravi lesioni fisiche.

- Utilizzare esclusivamente la fonte di alimentazione appropriata
- Non utilizzare mai ossigeno, anidride carbonica o qualsiasi altro gas in bombola come alimentazione per questo utensile, l'utensile esploderebbe causando gravi lesioni.
- L'utilizzo di ossigeno o di gas combustibili per gli utensili pneumatici crea il rischio di incendio o esplosione.

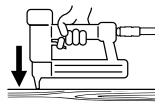


- Togliere sempre il dito dal grilletto quando non si sta utilizzando l'utensile. Non trasportare mai l'utensile tenendolo dal grilletto o da sotto il grilletto. Se si urta la punta, l'utensile espellerà un chiodo.
- La posizione in cui lasciare a riposo l'utensile è sul fianco e scollegato dall'aria.
- Per mettere l'utensile in posizione di riposo occorre anche togliere il dito dal grilletto e posizionare l'utensile in modo che non possa esserci il contatto con il pezzo da lavorare.



- Partire sempre dal presupposto che l'utensile sia carico. Tenerlo, quindi, puntato lontano da se stessi e dagli altri. Non utilizzarlo per gioco. Trattare l'utensile come uno strumento di lavoro.
- Tenere mani e gambe lontane dalla direzione di sparo.
- L'utilizzo delle pistole sparachiodi è consentito esclusivamente a operatori qualificati.

- I chiodi devono essere conficcati soltanto nella superficie da lavorare e mai in materiali eccessivamente resistenti.
- Per l'acciaio e il calcestruzzo è necessaria una forza verso il basso superiore.
- Durante il funzionamento, è possibile scaricare residui del pezzo da lavorare e del sistema di raccolta.
- Assicurarsi che l'utensile sia sempre puntato in sicurezza sul pezzo da lavorare e che non possa scivolare.

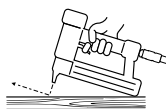


- Gli utensili in modalità "Sparo singolo" non devono essere utilizzati:
 - Nel caso in cui si debba raggiungere un altro punto di fissaggio utilizzando scale di qualsiasi tipo, ponteggi o impalcature.
 - Per chiudere scatole o casse.
 - Per l'installazione di sistemi di sicurezza per i trasporti.
 - Su piattaforme in movimento
- Leggere e comprendere i rischi associati all'azionamento selettivo nella sezione "Utilizzo".



- Non forzare l'utensile. Lasciare che l'utensile faccia il suo lavoro. Utilizzare l'utensile adatto alla propria applicazione. L'utensile adatto farà il lavoro meglio e più rapidamente nei tempi per cui è stato progettato.
- Non spingere eccessivamente
- Stare ben poggiati sui piedi e mantenere sempre l'equilibrio.

- Non conficcare i chiodi su altri chiodi oppure in angoli troppo stretti.
- I chiodi potrebbero deviare e provocare lesioni.



- Si tenga presente che, quando si utilizza l'utensile, è possibile che dopo aver sparato un chiodo, ci sia l'effetto di rinculo. Nel caso in cui la punta rientri involontariamente in contatto con la superficie di lavoro a seguito di un rinculo, verrà sparato un altro chiodo. Pertanto, onde evitare questa situazione, consentire all'utensile di rinculare completamente lontano dalla superficie di lavoro dopo aver conficcato un chiodo. Se non si desidera inserire un secondo chiodo, non spingere la punta sulla superficie di lavoro.

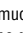


- Tenere l'utensile correttamente e con presa sicura ed essere pronti a reagire gestendo movimenti normali o improvvisi come il rinculo. L'impugnatura dovrebbe essere sicura ma anche adatta a ridurre il rischio di vibrazioni che può causare gravi lesioni.
- Mantenere il corpo in posizione ben equilibrata e tenersi ben saldi sui piedi.
- Fare attenzione con gli utensili pneumatici: quando si raffreddano è possibile perdere la presa dell'utensile e quindi il controllo.

- Non conficcare i chiodi troppo in prossimità del bordo della superficie di lavoro,
- in quanto potrebbero deviare e provocare lesioni.
- Tenere lontane le persone presenti.
- Segnalare chiaramente la zona operativa.

- Scollegare l'utensile dal tubo dell'aria prima di effettuare la manutenzione, prima di rimuovere un chiodo incastrato, prima di apportare delle modifiche, prima di lasciare l'area di lavoro, di spostare l'utensile in un altro luogo o di passare l'utensile a un'altra persona.



- Quando è collegato all'alimentazione dell'aria, l'utensile può espellere un chiodo, pertanto,  rimuovere tutti i chiodi dall'utensile prima di attaccare il tubo dell'aria.
- Prestare attenzione in fase di caricamento/scaricamento dei chiodi, poiché sono molto appuntiti.

- Non utilizzare mai l'utensile se la punta, il grilletto o le molle sono diventati inutilizzabili, mancano o sono danneggiati. Non manomettere o rimuovere la punta, il grilletto o le molle.
- Le modifiche possono ridurre l'efficacia delle misure di sicurezza e aumentare i rischi per l'operatore/le persone presenti.
- Non utilizzare l'utensile nel caso in cui sia danneggiato.

- Assicurarsi sempre che tutte le viti e i tappi siano ben stretti. Verificare giornalmente che il grilletto e la punta non siano bloccati. Non usare mai l'utensile in casi di parti mancanti, consumate o danneggiate.
- Utilizzare sempre il secondo manico (se in dotazione)

- Utilizzare esclusivamente ricambi, chiodi, lubrificanti e accessori consigliati o venduti da SENCO. Non apportare modifiche all'utensile senza il consenso di SENCO.

- Utilizzare esclusivamente aria compressa pulita, asciutta e regolata alla pressione consigliata.
- Chiudere sempre l'alimentazione dell'aria e scollegare l'utensile quando non lo si utilizza.

- Le chiodatrici non devono essere collegate a una pressione potenzialmente in grado di superare del 10% la massima pressione di esercizio.
- Non superare la massima pressione di esercizio Ps max.

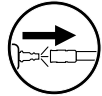
- Le sparachiodi contrassegnate da un triangolo al contrario non possono essere utilizzate salvo il caso in cui dotate di un'ottima punta.



- Gli utensili senza punta possono sparare inavvertitamente, provocando lesioni.

- I trespoli per l'installazione degli utensili su un supporto devono essere progettati e costruiti dal produttore del trespolo in modo che l'utensile possa essere fissato in sicurezza allo stesso e utilizzato per lo scopo previsto.

- L'utensile e il tubo dell'aria devono avere un nipplo di collegamento che consenta, una volta scollegato il giunto di accoppiamento, di eliminare tutta la pressione.



- L'aria compressa può provocare gravi lesioni.

- Scollegare sempre l'utensile dall'alimentazione dell'aria compressa prima di cambiare gli accessori, apportare modifiche e/o fare riparazioni o quando ci si sposta da un'area di lavoro a un'altra.

- Non dirigere mai l'aria compressa verso se stessi o chiunque altro.

- Un tubo che sbatte può provocare lesioni gravi - controllare sempre che il tubo non sia danneggiato o staccato.

- Non caricare mai chiodi nell'utensile se il grilletto o la punta sono premuti.

- Non utilizzare l'utensile in assenza dell'etichetta di pericolo. Se l'etichetta manca, è danneggiata o è illeggibile, contattare il proprio rappresentante SENCO per richiedere una nuova etichetta.



- Non utilizzare mai una pistola che perde aria o che ha bisogno di essere riparata.

- Non utilizzare se l'utensile è danneggiato.

- Non portare o trascinare mai un utensile pneumatico dal tubo.

- Non effettuare alcuna "riparazione d'emergenza" senza attrezzi e strumenti adatti.

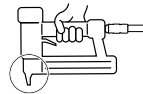
- Prima dell'utilizzo verificare sempre che l'utensile non abbia parti rotte, mal collegate, scollegate o usurate.



Prima di apportare qualsiasi modifica all'utensile occorre ottenere il consenso scritto del fabbricante.



- Tenere le mani e altre parti del corpo lontane dalla zona indicata nel cerchio per evitare infortuni durante il funzionamento.


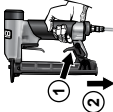
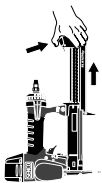



- Tenere le dita lontane dal grilletto quando non si vuole azionare l'utensile e quando ci si sposta da una posizione a un'altra.







UTILIZZO

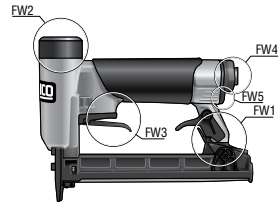
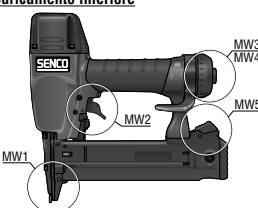

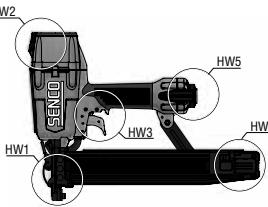
Utensile	Caricare	Scaricare	Uscita	Tipo grilletto	Opzione sparò automatico	Profondità di regolazione della punta	Rimozione inceppamento	Elemento di sicurezza
SFT10XP	Caricamento inferiore (A1)	Rilascio nella parte posteriore dell'utensile (B1)	Posteriore	Singolo (D1)	(E1)	Nessuno	Attraverso caricatore	Nessuna
SFT10XP-LN		Rilascio al caricatore (B2)						
SFT10XP-DL		Rilascio nella parte posteriore dell'utensile (B1)						
SFW09	Caricamento superiore (A2)	Rilascio al caricatore (B2)	Spostabile	Doppio	NA	Nessuna	Sportello (F1)	Si
SFW05		Rilascio al caricatore (B2)						
SKSXP		Rilascio al caricatore (B2)						
SNS41XP	Caricamento superiore (A2)	Tirare alimentatore. Colpire per rilasciare (B3)	Regolabile (C1)	Bottom fire (a contatto) (I)	(E2)	Al piede stabilizzante	Sportello (F1)	Si
NS20XP			Regolabile (C1)					
NS20BXP			Anteriore					
PS15XP			Regolabile (C1)					
PS20XP			Regolabile (C1)					
S0S55XP	Caricamento superiore (A2)	Tirare alimentatore. Toccare per rilasciare (B3)	Regolabile (C1)	Sequenziale (D1)	(E1)	All'attacco	Sportello	Si
SLS25XP			Mobilità					
SLS20XP			Regolabile (C1)					
SMS92	Caricamento inferiore (A1)	Rilascio nella parte posteriore dell'utensile (B1)	Posteriore, Regolabile (C2)	Selezionabile	NA	Alla base del grilletto	Attraverso caricatore	Si
SLS18Mg			Regolabile (C1)					
S150LS			Regolabile (C1)					
S150MS	Caricamento superiore (A2)	Tirare alimentatore. Toccare per rilasciare (B3)	Regolabile (C1)	Singolo (D1)	NA	Al collegamento	Attraverso caricatore	Si
WC330			Anteriore					
WC360				Singolo (D1)	NA	Al collegamento	Attraverso caricatore	Si

N. immagine matrice	Descrizione	Note immagine	N. immagine matrice	Descrizione	Note immagine
A1	 Caricamento inferiore	Non caricare con grilletto premuto	D1	 Singolo	① Premere la punta (elemento di sicurezza) contro la superficie di lavoro. ② Tirando il grilletto, il chiodo viene inserito.

A2	 <p>Caricamento superiore</p>	Non caricare con punta (elemento di sicurezza) o grilletto premuti.
B1	 <p>Rilascio nella parte posteriore dell'utensile</p>	<p>Premere serratura, far scorrere binario per aprire</p>
B2	 <p>Rilascio al caricatore</p>	<p>Premere la serratura, far scorrere il binario aperto</p>
B3	 <p>Tirare alimentatore. Colpire per rilasciare</p>	<p>Tirare indietro la slitta di alimentazione nella posizione di "blocco"</p>
C1	 <p>Regolabile</p>	<p>Il deflettore può essere ruotato per modificare la direzione dell'aria di uscita</p>
C2	 <p>Posteriore, Regolabile</p>	<p>Il deflettore può essere ruotato per modificare la direzione dell'aria di uscita</p>

D2	 <p>In basso</p>	<p>① Tirare il grilletto. ② Premere lentamente la punta contro la superficie di lavoro e inserire un chiodo. Ogni volta che si spinge la punta (elemento di sicurezza) contro la superficie di lavoro, si inserisce un chiodo.</p>
E1	 <p>Opzione sparo automatico</p>	<p>Questi utensili sono dotati di un dispositivo di regolazione della velocità di inserimento. Per regolare la velocità, far fare alla vite massimo tre giri, in senso antiorario per aumentare la velocità di inserimento. Per rallentare la velocità di inserimento, far fare massimo tre giri in senso orario alla vite. Per il funzionamento a scatto singolo, tirare il grilletto soltanto parzialmente. Per il funzionamento automatico, tirare il grilletto completamente.</p>
E2	 <p>Opzione sparo automatico</p>	<p>Questo utensile è dotato di un dispositivo di regolazione della velocità di inserimento. Per regolare la velocità, far fare alla vite massimo tre giri, in senso antiorario (O) per aumentare la velocità di inserimento. Per rallentare la velocità di inserimento, far fare massimo tre giri in senso orario (P) alla vite.</p>
F1	 <p>Sportello</p>	<p>Rilasciare la serratura E-Z Clear e aprire lo sportello</p>

ELEMENTI DELL'UTENSILE

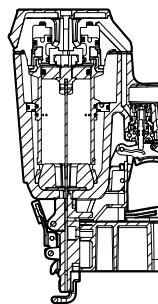
<p>Cucitrice a filo sottile</p>  <p>FW1 Rilascio caricatore FW2 Coperchio FW3 Grilletto FW4 Ingresso FW5 Uscita</p>	<p>Cucitrice a filo medio</p> <p>Caricamento inferiore</p>  <p>MW1 Punta MW2 Grilletto MW3 Scarico MW4 Ingresso MW5 Rilascio caricatore</p> <p>Caricamento superiore</p>  <p>MW6 Slitta di alimentazione</p>	<p>Cucitrice a filo pesante</p>  <p>HW1 Punta HW2 Uscita HW3 Grilletto HW4 Slitta di alimentazione HW5 Ingresso</p>
--	--	--

MANUTENZIONE

Avvertenza

- Gli interventi di riparazione diversi da quelli descritti nel presente manuale dovrebbero essere eseguiti esclusivamente da personale qualificato ed esperto. Per informazioni contattare Senco al numero: +31 320 295 575.
- Prima di eseguire la manutenzione, leggere la sezione intitolata "Avvisi di sicurezza".
- Utilizzare esclusivamente ricambi specificati dal produttore o da un rappresentante autorizzato.
- Tutte le viti dovrebbero essere ben serrate. Viti lente sono responsabili di un funzionamento non sicuro e della rottura dei componenti.
- Controllare mensilmente
- Con l'utensile scollegato, controllare quotidianamente che la punta e il grilletto possano muoversi liberamente. Non utilizzare l'utensile se la punta o il grilletto sono incastrati o bloccati.
- Versare olio pneumatico Senco (da 5 a 10 gocce) nell'ingresso dell'aria due volte al giorno (a seconda della frequenza d'uso dell'utensile). Altri oli potrebbero danneggiare le guarnizioni ad anello e altri componenti.
- Alcuni utensili Senco sono Oil Free e NON NECESSITANO di olio. Controllare l'etichetta.
- Pulire l'utensile quotidianamente e controllare che non sia usurato. Usare soluzioni detergenti non infiammabili soltanto se necessario.
- **Non immergere in acqua.**
- **Attenzione:** queste soluzioni potrebbero danneggiare le guarnizioni ad anello e altri componenti.
- Smaltire correttamente i materiali utilizzati per la pulizia.

RISOLUZIONE DEI PROBLEMI



In caso di inceppamento:

- Scollegare l'alimentazione dell'aria
- Togliere i chiodi
- Rimuovere l'inceppamento
- Seguire la procedura di caricamento

1	<p>SINTOMO Fuoriuscita di aria vicino alla parte superiore della sparachiodi. / Funzionamento lento</p> <p>SOLUZIONE Verificare l'alimentazione dell'aria / serrare le viti o installare il Set di ricambi – Vedere il Manuale dei ricambi</p>
2	<p>SINTOMO Perdita d'aria vicino alla parte inferiore della sparachiodi / Risultato insoddisfacente.</p> <p>SOLUZIONE Pulire l'utensile / stringere le viti o installare il Set di ricambi. Vedere il Manuale ricambi</p>
3	<p>SINTOMO Altri problemi.</p> <p>SOLUZIONE Contattare Senco.</p>

DATI TECNICI

Tipo utensile	Pressione di esercizio minima-massima	Consumo di aria (60 cicli al minuto) litro	Ingresso aria	Velocità massima (cicli al secondo)	Peso Kg	Capacità punti	Dimensioni: Altezza mm	Dimensioni: Lunghezza mm	Dimensioni: Larghezza: Corpo principale mm
Serie XtremePro									
SFT10XP	4,5-7,0 bar	33,0	1/4 in NPT	30 (Auto)	0,96	180	167	218	42,0
SFT10XP-DL	4,5-7,0 bar	33,0	1/4 in NPT	30 (Auto)	1,31	180	167	376	42,0
SFT10XP-LN	4,5-7,0 bar	33,0	1/4 in NPT	30 (Auto)	0,92	180	207	218	42,0
SLS20XP	4,8-8,3 bar	54,4	1/4 in NPT	10	1,10	168	216	305	51,0
SLS25XP	4,8-8,3 bar	54,4	1/4 in NPT	10	1,21	168	229	305	50,0
SKSXP	4,8-8,3 bar	61,2	1/4 in NPT	5	1,90	145	238	314	76,0
NS20XP	4,8-8,3 bar	113,0	3/8 in NPT	10	2,31	160	279	381	89,0
NS20BXP	4,8-8,3 bar	136,0	3/8 in NPT	10	2,64	160	279	381	102,0
SQS55XP	5,5-8,3 bar	185,0	3/8 in NPT	15	2,70	130	305	365	92,0
SNS50XP	5,5-8,3 bar	185,0	3/8 in NPT	15	2,70	160	305	365	92,0
PS15XP	4,8-8,3 bar	90,0	3/8 in NPT	10	2,30	160	225	387	89,0
PS20XP	4,8-8,3 bar	97,0	3/8 in NPT	10	2,40	160	225	387	89,0
Serie Pro									
SFW09	4,8-8,3 bar	21,8	1/4 in NPT	15	2,00	110	151	241	49,0
SLS18MG	4,8-8,3 bar	68,0	1/4 in NPT	5	1,17	110	241	260	63,5
SMS92	5,0-8,0 bar	55,5	1/4 in NPT	3	1.858	160	274	310	78,0
SNS41	5,5-8,3 bar	153,0	3/8 in NPT	12	2,10	160	273	381	86,0
WC330-SP	5,0-8,0 bar	175,6	3/8 in NPT		5,85	120	400	397	133,0
WC360-SP	5,0-8,0 bar	261,0	3/8 in NPT		6,25	120	400	470	138,0
Serie SemiPro									
SFW05	5,2-6,9 bar	27,0	1/4 in NPT	5	0,90	100	163	229	45,0
S150LS	4,8-8,3 bar	54,4	1/4 in NPT	5	1,46	100	227	249	68,0
S150MS	4,8-8,3 bar	54,4	1/4 in NPT	5	1,46	100	227	249	68,0

GAMMA PUNTI

Tipo utensile	Tipo punto																	
	A	AT	B	C	E	F	G	K	92	L	M	N	O	P	Q	S	SP	
SFT10XP	6-16	6-16	6-16	6-16	6-16	6-16	6-16											
SFT10XP-DL		6-16	6-16	6-16		6-16	6-16											
SFT10XP-LN		6-16		6-16														
SLS20XP								13-25		10-38	10-38							
SLS25XP										10-38	10-38							
SKSXP										19-38	22-38	22-38						
NS20XP												25-50	25-50					
NS20BXP												25-50	25-50					
SQS55XP															32-65	44-90		
SNS50XP												32-50						
PS15XP														16-38				
PS20XP														22-50				
SFW09		6-16		6-16		6-16												
SLS18MG										10-38	10-38							
SMS92									18-40									
SNS41												25-50	25-50					
WC330-SP																	65-130	
WC360-SP																	90-160	
SFW05		6-16	6-16	6-16														
S150										10-38	10-38							

Lunghezza gamba in mm

INFORMAZIONI SULLA RUMOROSITÀ

Informazioni sulla rumorosità in conformità con la norma EN12549	Questi valori sono valori caratteristici dell'utensile e non rappresentano la rumorosità sviluppata nel punto di utilizzo. Anche la progettazione del luogo di lavoro può contribuire a ridurre i livelli di rumorosità, ad esempio posizionando il pezzo da lavorare su supporti che attutiscono i rumori.
Informazioni sulle vibrazioni in conformità con la norma EN 292 Parte 1 & 2	Questo valore è un valore caratteristico dipendente dall'utensile e non influisce sul sistema mano-braccio quando si usa la chiodatrice

Tipo utensile	Livello di pressione sonora (Lpa) dB	Livello di potenza sonora (Lwa) dB	Livello di vibrazione m/s ²
Serie XtremePro			
SFT10XP	81,9	92,1	1,7
SFT10XP-DL	81,9	92,1	1,7
SFT10XP-LN	81,9	92,1	1,7
SLS20XP	80	87	<2,5
SLS25XP	83	89	<2,5
SKSXP	86	91	<2,5
NS20XP	90	96	2,3
NS20BXP	90	96	2,7
SQS55XP	93	99	3,1
SNS50XP	93	99	3,1
PS15XP	90	96	2,3
PS20XP	90	96	2,7
Serie Pro			
SFW09	66,3	74,2	<2,5
SLS18MG	84	91	<2,5
SMS92	89,9	102,9	<2,5
SNS41	84	92	<2,5
WC330-SP	90	103	2,86
WC360-SP	91	104	3,51
Serie SemiPro			
SFW05	80	85	<2,5
S150LS	88	101	<2,5
S150MS	88	101	<2,5

ACCESSORI

SENCO offre una linea completa di accessori per gli utensili SENCO, tra cui:

- Compressori ad aria
- Tubi
- Accoppiatori
- Raccordi
- Occhiali di protezione
- Manometri
- Lubrificanti
- Regolatori
- Filtri



Per maggiori informazioni o per ricevere un catalogo illustrato degli accessori SENCO, visitare il sito SENCO.EU

IT

SPIS TREŚCI

Obowiązki pracodawcy.....	103
Opis ogólny.....	103
Ostrzeżenia	103
Ostrzeżenia dotyczące bezpieczeństwa.....	104
Używanie narzędzia	106
Konserwacja.....	108
Wykrywanie i usuwanie usterek	108
Dane techniczne.....	109
Rodzaje gwoździ	110
Informacje o hałasie	111
Akcesoria.....	111
Deklaracja zgodności	132
Ograniczona gwarancja.....	134

OBOWIĄZKI PRACODAWCY



Pracodawca odpowiada za zapewnienie, aby niniejsza instrukcja została przeczytana i zrozumiana przez cały personel wyznaczony do używania narzędzia. Instrukcję tę należy zachować do użytku w przyszłości. Niezbędne jest wykonanie oceny ryzyka i wdrożenie odpowiednich środków kontroli w odniesieniu do wszystkich zagrożeń.

NIEBEZPIECZEŃSTWA W MIEJSCU PRACY

Stosuje się następujące zasady:

- Poślizgnięcia, potknięcia i upadki są głównymi przyczynami urazów w miejscu pracy. Należy zwrócić uwagę na śliskość powierzchni powodowaną użyciem narzędzia, a także na niebezpieczeństwo potknięcia się powodowane przez przewód powietrza.
- W nieznanym otoczeniu należy postępować z dodatkową ostrożnością. Mogą istnieć ukryte zagrożenia, takie jak przewody elektryczne lub inne instalacje.
- Narzędzie to nie jest przeznaczone do użytku w przestrzeniach zagrożonych wybuchem i nie jest izolowane od wejścia w styczność z energią elektryczną.
- Należy upewnić się, że nie ma żadnych kabli elektrycznych, rur gazowych itd., które mogłyby spowodować zagrożenie w przypadku uszkodzenia wskutek użycia narzędzia.

NIEBEZPIECZEŃSTWA ZWIĄZANE Z PYŁEM I SPALINAMI

Jeżeli narzędzie jest używane w miejscu, w którym występuje osiady pył, może ono powodować skutkujące niebezpieczeństwem wzniesienie pyłu.

Stosuje się następujące zasady:

- Ocena ryzyka powinna uwzględniać pył powstający wskutek użycia narzędzia oraz możliwość wzniesienia istniejącego pyłu.
- Spaliny należy skierować w taki sposób, aby zminimalizować wzniesienie pyłu w zapyłonym otoczeniu.
- W przypadku stwarzania zagrożeń związanych z pyłem lub spalinami należy przede wszystkim kontrolować je w punkcie emisji.

OPIS OGÓLNY

- Ręczne narzędzie do wbijania elementów złącznych składające się z pneumatycznej jednostki napędowej, korpusu prowadnicy i magazynu, w którym energia jest przykładana w ruchu liniowym do załadowanego elementu złącznego w celu wbicia elementu złącznego w określone materiały, chyba że stosuje się specjalny element złączny przeznaczony do stosowania w betonie lub stali.
- Wszelkie inne stosowanie jest zabronione.

OSTRZEŻENIA

Narzędzia z tym symbolem mogą być używane tylko do zastosowań produkcyjnych. Wszelkie inne stosowanie jest zabronione.




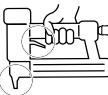
- Nie należy opierać palca na spuście podczas podnoszenia narzędzia, poruszania się między obszarami i pozycjami roboczymi lub chodzenia, ponieważ oparcie palca na spuście może doprowadzić do niezamierzonego uruchomienia narzędzia. W przypadku narzędzi z wyzwalaniem selektywnym należy zawsze sprawdzić narzędzie przed użyciem, aby upewnić się, że wybrany został prawidłowy tryb pracy.
- To narzędzie ma albo selektywne wyzwalanie stykowe, albo ciągłe wyzwalanie stykowe za pomocą przełączników wyboru trybu wyzwalania, albo jest narzędziem z wyzwalaniem stykowym lub ciągłym wyzwalaniem stykowym i zostało oznaczone powyższym symbolem. Przeznaczone jest do zastosowań produkcyjnych, takich jak palety, meble, prefabrykaty, tapicerka i poszycia.
- W przypadku stosowania tego narzędzia w trybie selektywnego wyzwalania należy zawsze sprawdzić prawidłowość ustawienia wyzwalania.
- Nie należy używać tego narzędzia do wyzwalania stykowego w zastosowaniach takich, jak zamykanie pudeł lub skrzyń oraz mocowania transportowych systemów bezpieczeństwa na przyczepach i samochodach ciężarowych.
- Należy zachować ostrożność podczas przechodzenia z jednego miejsca wbijania do drugiego.

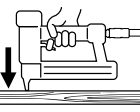
PL

OSTRZEŻENIA DOTYCZĄCE BEZPIECZEŃSTWA



- Należy przeczytać i zrozumieć te ostrzeżenia, aby uniknąć urazów u siebie i osób postronnych. Dodatkowo informacje można znaleźć w częściach dotyczących używania narzędzia, konserwacji oraz wykrywania i usuwania usterek. 
 - Nieprzestrzeganie ostrzeżeń może skutkować ciężkim urazem.
 - Nie wyrzucać.
-
- Operatorzy i inne osoby znajdujące się w obszarze bocznym muszą nosić odporną na uderzenia ochronę oczu z osłonami bocznymi. Niezastosowanie się do tych zaleceń może skutkować ciężkim urazem. CE — odpowiednik normy EN166. 
-
- Należy zawsze stosować inne środki ochrony osobistej, takie jak ochronniki słuchu, rękawice i hełm ochronny.
 - Należy nosić wyłącznie rękawice zapewniające odpowiednie czucie i bezpieczne sterowanie pracą spustów i urządzeń regulacyjnych.
 - Operatorzy i inne osoby w obszarze bocznym muszą nosić ochronniki słuchu.
 - Narażenie na wysokie poziomy hałasu bez ochrony może skutkować trwałą, upośledzającą utratą słuchu i innymi problemami, takimi jak szumy uszne (dzwonienie, brzęczenie, świsł lub szum w uszach).
 - Odpowiednie środki mające na celu zmniejszenie ryzyka mogą obejmować działania, takie jak zastosowanie materiałów tłumiących, zapobiegających „biciu” obrabianych detali.
 - Należy stosować odpowiednią ochronę słuchu.
 - Aby zapobiec zbędnemu wzrostowi poziomu hałasu, narzędzie należy obsługiwać i konserwować zgodnie z zaleceniami zawartymi w niniejszej instrukcji.
 - Jeżeli narzędzie ma tłumik, należy zawsze upewnić się, że jest on na swoim miejscu i w dobrym stanie technicznym podczas pracy z narzędziem.
-
- Narażenie na wibracje może skutkować okaleczającym uszkodzeniem nerwów i naczyń krwionośnych dłoni i ramion. 
 - Podczas pracy w niskich temperaturach należy nosić ciepłą odzież, a dłonie chronić przed zimnem i wilgocią. 
 - W razie drętwienia, mrowienia, bólu lub blenienia skóry palców lub dłoni należy zwrócić się o poradę dotyczącą ogólnych czynności do wykwalifikowanego specjalisty medycyny pracy.
 - Aby zapobiec zbędnemu wzrostowi poziomu drgań, narzędzie należy obsługiwać i konserwować zgodnie z zaleceniami zawartymi w niniejszej instrukcji.
 - Narzędzie należy trzymać lekko, ale pewnie, ponieważ ryzyko związane z drganiami zazwyczaj zwiększa się ze wzrostem siły trzymania.
-
- Podczas obsługi elektronarzędzia należy zachowywać czujność, uważać, co się robi i kierować się zdrowym rozsądkiem. Nie wolno używać narzędzia, będąc zmęczonym ani pod wpływem narkotyków, alkoholu lub leków. Chwila nieuwagi podczas obsługi elektronarzędzi może skutkować ciężkim urazem.

- Należy stosować tylko prawidłowe zasilanie energią w sposób zgodny z zaleceniami.
- Jako źródła zasilania tego narzędzia nie wolno używać tlenu, dwutlenku węgla ani żadnego innego gazu w butlach; narzędzie wybuchnie i spowoduje ciężki uraz. 
- Stosowanie tlenu lub gazów palnych w narzędziach pneumatycznych stwarza zagrożenie pożarem lub wybuchem.

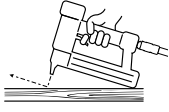
- Gdy nie wbija się elementów złącznych, zawsze należy zdjąć palec ze spustu. Nie wolno nosić narzędzia z palcem na spuście lub pod spustem. Wskutek uderzenia mechanizmu stykowego narzędzie wystrzeli element złączny. 
- Pozycja spoczynkowa narzędzia to pozycja na boku, narzędzie odłączone od powietrza.
- Pozycja spoczynkowa obejmuje zdjęcie palca ze spustu i narzędzia pozycjonującego w taki sposób, aby nie wyzwolił mechanizmu stykowego.

- Należy zawsze zakładać, że narzędzie zawiera elementy złączne. Narzędzie należy trzymać skierowane z dala od siebie i innych osób. Żarty są zabronione. Narzędzie należy szanować jako narzędzie robocze. 
- Dłonie i nogi należy trzymać z dala od kierunku strzału.
- Narzędzia do wbijania elementów złącznych powinni używać jedynie wykwalifikowani operatorzy.

- Elementy złączne należy wbijać tylko w powierzchnię roboczą; nigdy w materiały zbyt trudne do przeniknięcia.
- W przypadku narzędzi stalowych i betonowych wymagana jest dodatkowa siła docisku.
- Podczas pracy mogą być wyrzucane zanieczyszczenia z obrabianego detalu i systemu łączenia.
- Należy upewnić się, że narzędzie jest zawsze bezpiecznie zamocowane na obrabianym detalu; nie może się ono ślizgać.

- Narzędzi wyposażonych w „wyzwalanie stykowe” nie wolno używać:
 - Jeśli zmianę lokalizacji wbijania utrudniają schody, drabiny lub rusztowania.
 - Do zamykania pudeł lub skrzyń.
 - Do mocowania transportowych systemów bezpieczeństwa.
 - Ruchołe podesty
- Należy przeczytać część „Używanie narzędzia” i zapoznać się z ryzykiem związanym z selektywnym wyzwalaniem. 


- Nie przykładaj siły do narzędzia. Niech narzędzie wykona pracę. Należy użyć narzędzia odpowiedniego do zastosowania. Prawidłowe narzędzie wykona pracę lepiej, bezpieczniej i w tempie, do którego zostało zaprojektowane.
- Nie wychylaj się
- Utrzymywaj przez cały czas odpowiednie podparcie dla stóp i równowagę.

- Nie wbijać elementów złącznych na inne elementy złączne ani pod zbyt dużym kątem nachylenia narzędzia.
- Element złączny może się odbić i spowodować uraz. 

- Podczas używania narzędzia należy zachować ostrożność ze względu na możliwość odrzutu narzędzia po wbiściu elementu złącznego. Niezamierzone ponowne zetknięcie mechanizmu stykowego z powierzchnią roboczą po odrzucie skutkuje wbiściem zbędnego elementu złącznego.



W związku z tym, aby tego uniknąć, należy pozwolić na całkowite odrzucenie narzędzia od powierzchni roboczej po wbiściu elementu złącznego. O ile nie jest pożądane wbiście drugiego elementu złącznego, nie należy dociskać mechanizmu stykowego do powierzchni roboczej.

- Narzędzie należy trzymać prawidłowo, mocno i być przygotowanym do przeciwdziałania normalnym lub nagłym ruchom, takim jak odrzut. Chwyty powinny być pewny, ale odpowiedni, aby zmniejszyć ryzyko drgań, które mogą spowodować ciężki uraz.
- Należy utrzymywać równowagę i bezpieczne podparcie dla stóp.
- Należy zachować ostrożność podczas używania narzędzi pneumatycznych, gdyż narzędzie staje się zimne. Może to negatywnie wpłynąć na chwyt i kontrolę.
- Nie wolno wbijać elementów złącznych w pobliżu krawędzi powierzchni roboczej.
- Element złączny może się odbić i spowodować uraz.
- Osoby postronne powinny trzymać się z dala od obszaru roboczego.
- Wyraźnie oznakować obszar roboczy.

Narzędzie należy odłączyć od dopływu powietrza przed jego konserwacją, usuwaniem zakleszczonego elementu złącznego, regulacjami, opuszczeniem obszaru roboczego, przeniesieniem narzędzia w inne miejsce lub przekazaniem narzędzia innej osobie.



- Narzędzie może wystrzelić element złączny, gdy jest podłączone do źródła powietrza; dlatego należy Ⓛ wyjąć wszystkie elementy złączne z narzędzia przed podłączeniem przewodu powietrza.
- Podczas ładowania/wymowywania elementów złącznych należy zachować ostrożność. Elementy złączne mają ostre końce.
- Nie wolno używać narzędzia, jeśli mechanizm stykowy, spust lub sprężyna nie działają, nie ma ich lub zostały uszkodzone. Nie wolno manipulować mechanizmem stykowym, spustem ani sprężynami, ani też usuwać tych elementów.
- Modyfikacje mogą zmniejszyć skuteczność środków bezpieczeństwa i zwiększyć ryzyko dla operatora/osób postronnych.
- Nie wolno używać uszkodzonego narzędzia.
- Należy upewnić się, że wszystkie śruby i nasadki są zawsze prawidłowo dokręcone. Należy przeprowadzać codzienne kontrole swobody ruchu spustu i mechanizmu stykowego. Nie wolno używać narzędzia, jeśli brakuje części, są one zużyte lub uszkodzone.
- Należy zawsze używać drugiego uchwytu (jeśli go dostarczono)
- Należy używać jedynie części, elementów złącznych, smarów i akcesoriów zalecanych lub sprzedawanych przez SENCO. Nie wolno modyfikować narzędzia bez autoryzacji SENCO.
- Stosować wyłącznie czyste, suche, regulowane sprężone powietrze o zalecanym ciśnieniu.
- Zawsze należy odciąć dopływ powietrza i odłączyć narzędzie, gdy nie jest używane.

- Nie wolno podłączać narzędzi do ciśnienia, które może przekroczyć maksymalne ciśnienie robocze o 10%.
- Nie wolno przekraczać maksymalnego ciśnienia roboczego Ps maks.

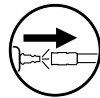
- Narzędzia oznaczone odwróconym trójkątem nie mogą być stosowane, chyba że mają zamontowany skuteczny mechanizm stykowy.



- Narzędzia bez mechanizmu stykowego mogą się uruchomić w niezamierzony sposób i spowodować uraz.

- Stojaki do mocowania narzędzi do podpory muszą być zaprojektowane i skonstruowane przez producenta stojaka w taki sposób, aby narzędzie mogło być bezpiecznie mocowane zgodnie z przeznaczeniem.

- Narzędzie i przewód powietrza muszą być wyposażone w króciec przyłączeniowy zapewniający usunięcie całego ciśnienia z narzędzia podczas odłączania złącza.



- Sprężone powietrze może spowodować ciężki uraz.
- Narzędzie należy zawsze odłączyć od zasilania sprężonym powietrzem przed zmianą akcesoriów, regulacjami i/lub naprawami lub podczas przemieszczania się z miejsca pracy do innego miejsca.
- Nie wolno kierować sprężonego powietrza na siebie ani nikogo innego
- Uderzenie przewodem giętkim może skutkować ciężkim urazem — należy zawsze sprawdzić, czy przewód nie jest uszkodzony lub poluzowany.

- Nie wolno ładować elementów złącznych z wciśniętym spustem lub mechanizmem stykowym.

- Nie wolno używać narzędzia bez etykiety ostrzegawczej. Jeśli etykiety brakuje, jest uszkodzona lub nieczytelna, należy skontaktować się z przedstawicielem SENCO w celu uzyskania nowej etykiety.



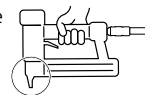
- Nie wolno używać narzędzia, z którego ucieka powietrze lub które wymaga naprawy.
- Nie wolno używać uszkodzonego narzędzia.
- Narzędzia pneumatycznego nie wolno przenosić ani przeciągać za jego przewód giętki.

- Nie wolno wykonywać żadnych „napraw w sytuacji nagłej” bez odpowiednich narzędzi i wyposażenia.
- Przed każdym użyciem narzędzia należy sprawdzić, czy nie ma uszkodzonych, źle podłączonych, poluzowanych lub zużytych części.



Przed wykonaniem jakichkolwiek modyfikacji narzędzia należy uzyskać pisemną zgodę producenta narzędzia.


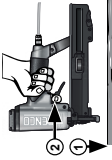
- Aby uniknąć urazu podczas pracy, dłonie i inne części ciała należy trzymać z dala od obszaru wskazanego w okręgu.
- W razie nieużywania narzędzia oraz podczas przemieszczania się z jednej pozycji roboczej do drugiej należy trzymać palce z dala od spustu.

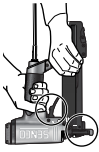

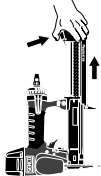









PL

UŻYWANIE NARZĘDZIA

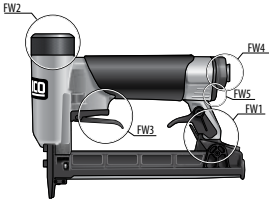
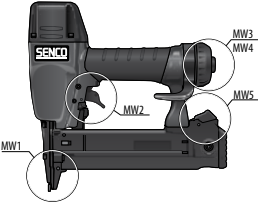

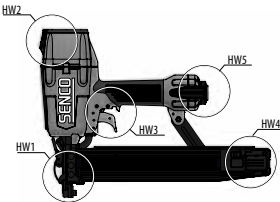
Narzędzie	Ładowanie	Rozładowanie	Wylot	Rodzaj spustu	Opcja automatycznego wystrzału	Regulacja głębokości wbijania	Oczyszczanie zacisku	Element bezpiecznika
SFT10XP		Zwalnianie tyłu narzędzia (B1)		Pojedynczy (D1)	(E1)	Brak	Przez magazynek	Brak
SFT10XP-LN		Zwalnianie w magazynku (B2)	Tył	Podwojony				
SFT10XP-DL	Ładowanie od dołu (A1)	Zwalnianie z tyłu narzędzia (B1)		Pojedynczy (D1)	Nie dot.	Brak		
SFW09		Zwalnianie w magazynku (B2)						
SFW05			Ruchomy			Brak		
SXSXP			Nastawny (C1)					
SMS41XP						Na podstawie zabrzecającej		
NS20XP								
NS20BXP	Ładowanie od góry (A2)	Pociągnąć podajnik. Stuknąć, aby zwolnić (B3)	Przód	Wbijanie gwoździ do podłoża (I)	(E2)	Przy komorze spustowej	Zastawka (F1)	Tak
PS15XP								
PS20XP						Na podstawie zabrzecającej		
S0S55XP			Nastawny (C1)					
SLS25XP			Ruchomy					
SLS20XP	Ładowanie od góry (A2)	Pociągnąć podajnik. Stuknąć, aby zwolnić (B3)	Nastawny (C1)	Sekwencyjny (D1)	(E1)	Na połączeniu	Zastawka (F1)	Tak
SMS92								
SLS18Mg			Tył, Nastawny (C2)					
S150LS	Ładowanie od dołu (A1)	Zwalnianie z tyłu narzędzia (B1)	Nastawny (C1)	Do wyboru		Przy komorze spustowej	Przez magazynek	Tak
S150MS			Nastawny (C1)	Pojedynczy (D1)	Nie dot.	Na połączeniu		
WC30	Ładowanie od góry (A2)	Pociągnąć podajnik. Stuknąć, aby zwolnić (B3)	Przód	Pojedynczy (D1)	Nie dot.	Na połączeniu	Przez magazynek	Tak
WC60								

Nr obrazka	Opis	Uwagi	Nr obrazka	Opis	Uwagi
A1	 <p>Ładowanie od dołu</p>	Nie ładować z wstępnym spustem	D1	 <p>Pojedynczy</p>	<p>① Docisnąć styk elementu roboczego (element zabezpieczający) do powierzchni roboczej.</p> <p>② Pociągnąć za spust, a element złączy zostanie uruchomiony.</p>

A2	 <p>Ładowanie od góry</p>	Nie wolno ładować wciśniętym spustem lub mechanizmem stykowym (element bezpieczeństwa)
B1	 <p>Zwalnianie z tyłu narzędzia</p>	Zapadka wciśnięta, Prowadnica otwarta
B2	 <p>Zwalnianie w magazynku</p>	Zapadka wciśnięta, Prowadnica otwarta
B3	 <p>Pociągnąć podajnik. Stukać, aby zwolnić</p>	Pociągnąć stopkę podajnika z powrotem do „zamkniętej” pozycji.
C1	 <p>Nastawny</p>	Deflektor można obracać w celu zmiany kierunku przepływu powietrza wywiewanego
C2	 <p>Tył, Nastawny</p>	Deflektor można obracać w celu zmiany kierunku przepływu powietrza wywiewanego

D2	 <p>Spód</p>	<p>① Pociągnąć za spust. ② Zaciśnąć element stykowy do powierzchni roboczej i uruchomić element złączny.</p> <p>Zawsze klej używając wkładki styka elementu roboczego (element zabezpieczający) do powierzchni roboczej, element złączny zostaje uruchomiony.</p>
E1	 <p>Opcja automatycznego wystrzału</p>	Narzędzia te zostały wyposażone w regulację prędkości pracy. Aby ustawić prędkość (i ją zwiększyć), należy przekreślić śrubokręt maksymalnie trzy razy w kierunku przeciwnym do ruchu wskazówek zegara. Aby zmniejszyć prędkość, należy przekreślić śrubokręt maksymalnie trzy razy w kierunku zgodnym z ruchem wskazówek zegara. Aby wykonać pojedynczy strzał, należy pociągnąć za spust tylko częściowo. Aby narzędzie automatycznie wykonało strzały, należy całkowicie pociągnąć za spust.
E2	 <p>Opcja automatycznego wystrzału</p>	Narzędzie zostało wyposażone w regulację prędkości pracy. Aby ustawić prędkość (i ją zwiększyć), należy przekreślić śrubokręt maksymalnie trzy razy w kierunku przeciwnym (O) do ruchu wskazówek zegara. Aby zmniejszyć prędkość, należy przekreślić śrubokręt maksymalnie trzy razy w kierunku zgodnym (P) z ruchem wskazówek zegara.
F1	 <p>Zastawka</p>	Zwolnić E.Z. Oczyszczyć zatrzask i otworzyć drzwiczki.

ELEMENTY NARZĘDZIA

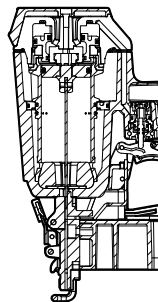
<p>Zszywacz do drutu o małej średnicy</p>  <p>FW1 Zwalnianie w magazynku FW2 Zaślepka FW3 Spust FW4 Włot FW5 Wylot</p>	<p>Zszywacz do drutu o średniej średnicy</p> <p>Ładowanie od dołu</p>  <p>MW1 Styk elementu roboczego MW2 Spust MW3 Wylot MW4 Włot MW5 Zwalnianie w magazynku</p> <p>Ładowanie od góry</p>  <p>MW6 Stopka podajnika</p>	<p>Zszywacz do drutu o dużej średnicy</p>  <p>HW1 Styk elementu roboczego HW2 Wylot HW3 Spust HW4 Stopka podajnika HW5 Włot</p>
---	---	--

KONSERWACJA

Ostrzeżenie

- Naprawy inne niż opisane w tym dokumencie powinny być wykonywane wyłącznie przez przeszkolony, wykwalifikowany personel. W celu uzyskania dalszych informacji należy skontaktować się z SENCO. +31 320 295 575.
- Przed przystąpieniem do prac konserwacyjnych należy przeczytać rozdział „Ostrzeżenia dotyczące bezpieczeństwa”.
- Korzystać wyłącznie z tych części zapasowych, które zostały wskazane przez producenta lub jego upoważnionego przedstawiciela.
- Wszystkie śruby powinny być dokręcone. Niedokręcone śruby mogą sprawić, że obsługa urządzenia będzie niebezpieczna, a jego części mogą zostać uszkodzone.
- Sprawdzać raz w miesiącu
- Przy odłączonym narzędziu należy przeprowadzać codzienne kontrole, aby zapewnić swobodny ruch styku elementu roboczego i spustu. Nie używać narzędzia, jeżeli styk elementu roboczego lub spust są klejące lub zakleszczone.
- Włot powietrza należy dwa razy dziennie nasmarować olejem pneumatycznym Squirt SENCO (5 – 10 kropli) (w zależności od częstotliwości używania narzędzia). Inne oleje mogą zniszczyć o-ringi i inne części narzędzia.
- Niektóre narzędzia SENCO są bezolejowe i NIE smaruje się ich olejem pneumatycznym, należy sprawdzić etykiety.
- Codziennie należy przetrzeć narzędzie i sprawdzić jego zużycie. Stosować niepalne roztwory czyszczące tylko w razie potrzeby.
- **Nie namaczać.**
- **Ostrzeżenie:** Takie roztwory mogą zniszczyć o-ringi i inne części narzędzia.
- Materiały użyte do czyszczenia należy odpowiednio zutylizować.

WYKRYWANIE I USUWANIE USTEREK



Jeżeli gwóźdź zakleszczy się w narzędziu, należy:

Odłączyć zasilanie powietrzem

Wyjąć elementy łączące

Oczyszczyć zacisk

Postępować zgodnie z procedurą ładowania narzędzia

1	<p>OBJAW Wyciek powietrza w pobliżu wierzchu narzędzia / powolne działanie</p> <p>ROZWIĄZANIE Sprawdzić źródło powietrza / dokręcić śruby lub zamontować zestaw części – patrz Instrukcja dotycząca części.</p>
2	<p>OBJAW Wyciek powietrza w pobliżu spodu narzędzia / słaby powrót.</p> <p>ROZWIĄZANIE Wyczyszczyć narzędzie/ dokręcić śruby lub zamontować zestaw naprawczy Patrz Instrukcja dotycząca części</p>
3	<p>OBJAW Inne problemy.</p> <p>ROZWIĄZANIE Skontaktować się z SENCO.</p>

DANE TECHNICZNE

Typ narzędzia	Minimalne-maksymalne ciśnienie robocze	Zużycie powietrza (60 cykli na minutę) w litrach	Wlot powietrza	Maksymalna prędkość (cykle na sekundę)	Masa w kg	Pojemność zszywek	Wymiary narzędzia: Wysokość w mm	Wymiary narzędzia: Długość w mm	Wymiary narzędzia: Szerokość: Korpus główny w mm
Seria XtremePro									
SFT10XP	4,5 – 7,0 bar	33,0	1/4 in. NPT	30 (Auto)	0,96	180	167	218	42,0
SFT10XP-DL	4,5 – 7,0 bar	33,0	1/4 in. NPT	30 (Auto)	1,31	180	167	376	42,0
SFT10XP-LN	4,5 – 7,0 bar	33,0	1/4 in. NPT	30 (Auto)	0,92	180	207	218	42,0
SLS20XP	4,8 – 8,3 bar	54,4	1/4 in. NPT	10	1,10	168	216	305	51,0
SLS25XP	4,8 – 8,3 bar	54,4	1/4 in. NPT	10	1,21	168	229	305	50,0
SKSXP	4,8 – 8,3 bar	61,2	1/4 in. NPT	5	1,90	145	238	314	76,0
NS20XP	4,8 – 8,3 bar	113,0	3/8 in. NPT	10	2,31	160	279	381	89,0
NS20BXP	4,8 – 8,3 bar	136,0	3/8 in. NPT	10	2,64	160	279	381	102,0
SQS55XP	5,5 – 8,3 bar	185,0	3/8 in. NPT	15	2,70	130	305	365	92,0
SNS50XP	5,5 – 8,3 bar	185,0	3/8 in. NPT	15	2,70	160	305	365	92,0
PS15XP	4,8 – 8,3 bar	90,0	3/8 in. NPT	10	2,30	160	225	387	89,0
PS20XP	4,8 – 8,3 bar	97,0	3/8 in. NPT	10	2,40	160	225	387	89,0
Seria Pro									
SFW09	4,8 – 8,3 bar	21,8	1/4 in. NPT	15	2,00	110	151	241	49,0
SLS18MG	4,8 – 8,3 bar	68,0	1/4 in. NPT	5	1,17	110	241	260	63,5
SMS92	5,0 – 8,0 bar	55,5	1/4 in. NPT	3	1 858	160	274	310	78,0
SNS41	5,5 – 8,3 bar	153,0	3/8 in. NPT	12	2,10	160	273	381	86,0
WC330-SP	5,0 – 8,0 bar	175,6	3/8 in. NPT		5,85	120	400	397	133,0
WC360-SP	5,0 – 8,0 bar	261,0	3/8 in. NPT		6,25	120	400	470	138,0
Seria SemiPro									
SFW05	5,2 – 6,9 bar	27,0	1/4 in. NPT	5	0,90	100	163	229	45,0
S150LS	4,8 – 8,3 bar	54,4	1/4 in. NPT	5	1,46	100	227	249	68,0
S150MS	4,8 – 8,3 bar	54,4	1/4 in. NPT	5	1,46	100	227	249	68,0

RODZAJE ZSZYWEK

Typ narzędzia	Rodzaj zszywacza																
	A	AT	B	C	E	F	G	K	92	L	M	N	O	P	Q	S	SP
SFT10XP	6-16	6-16	6-16	6-16	6-16	6-16	6-16										
SFT10XP-DL		6-16	6-16	6-16		6-16	6-16										
SFT10XP-LN		6-16		6-16													
SLS20XP								13-25		10-38	10-38						
SLS25XP										10-38	10-38						
SKSXP										19-38	22-38	22-38					
NS20XP												25-50	25-50				
NS20BXP												25-50	25-50				
SQS55XP															32-65	44-90	
SNS50XP												32-50					
PS15XP														16-38			
PS20XP														22-50			
SFW09		6-16		6-16		6-16											
SLS18MG										10-38	10-38						
SMS92								18-40									
SNS41												25-50	25-50				
WC330-SP																	65-130
WC360-SP																	90-160
SFW05		6-16	6-16	6-16													
S150										10-38	10-38						

Długość nogi w mm

INFORMACJE O HAŁASIE

Informacje o hałasie według EN12549	Wartości te są wartościami charakterystycznymi dla narzędzia i nie odzwierciedlają hałasu powstającego w miejscu użytkowania. Organizacja miejsca pracy może również przyczynić się do redukcji poziomu hałasu, na przykład umieszczanie elementu roboczego na podkładkach dźwiękochłonnych.
Informacje o wibracjach według EN 292, część 1 i 2	Powyzsza wartość jest wartością charakterystyczną dla narzędzia i nie odzwierciedla wpływu na układ dłoń-ramię podczas pracy z narzędziem

Typ narzędzia	Poziom ciśnienia akustycznego (Lpa) dB	Poziom mocy akustycznej (Lwa) dB	Poziom wibracji m/s ²
Seria XtremePro			
SFT10XP	81,9	92,1	1,7
SFT10XP-DL	81,9	92,1	1,7
SFT10XP-LN	81,9	92,1	1,7
SLS20XP	80	87	<2,5
SLS25XP	83	89	<2,5
SKSXP	86	91	<2,5
NS20XP	90	96	2,3
NS20BXP	90	96	2,7
SQS55XP	93	99	3,1
SNS50XP	93	99	3,1
PS15XP	90	96	2,3
PS20XP	90	96	2,7
Seria Pro			
SFW09	66,3	74,2	<2,5
SLS18MG	84	91	<2,5
SMS92	89,9	102,9	<2,5
SNS41	84	92	<2,5
WC330-SP	90	103	2,86
WC360-SP	91	104	3,51
Seria SemiPro			
SFW05	80	85	<2,5
S150LS	88	101	<2,5
S150MS	88	101	<2,5

PL

AKCESORIA

Firma SENCO oferuje pełną gamę akcesoriów do narzędzi SENCO, w tym:

- Sprężarki powietrza
- Przewody głośkie
- Złączki rurowe
- Łączniki
- Okulary ochronne
- Zawory ciśnieniowe
- Smary
- Regulatory
- Filtry



Więcej informacji oraz kompletny, ilustrowany katalog akcesoriów SENCO można znaleźć na stronie internetowej SENCO.EU

PL

СОДЕРЖАНИЕ

Обязанности работодателя.....	113
Общее описание	113
Предупреждения.....	113
Предупреждения о технике безопасности	114
Использование инструмента.....	116
Техническое обслуживание	118
Поиск и устранение неисправностей	118
Технические характеристики.....	119
Ассортимент гвоздей	120
Данные по шуму.....	121
Принадлежности	121
Декларация о соответствии	132
Ограниченная гарантия.....	134

ОБЯЗАННОСТИ РАБОТОДАТЕЛЯ



Работодатель несет ответственность за то, чтобы все сотрудники, задействованные в работе с инструментом, прочитали и поняли данное руководство. Храните данное руководство в доступном месте для использования в будущем. Важнейшее значение имеют оценка рисков и осуществление надлежащего контроля в отношении всех опасностей.

ПРОИЗВОДСТВЕННЫЕ ОПАСНОСТИ

Применяются следующие положения:

- Поскальзывания, спотыкания и падения являются основными причинами производственных травм. Помните о скользких поверхностях, возникающих в результате использования инструмента, а также об опасностях спотыкания, связанных с воздушным шлангом.
- Действуйте с особой осторожностью в незнакомой обстановке. Могут существовать скрытые опасности, такие как электропроводка или другие коммуникационные линии.
- Данный инструмент не предназначен для использования во взрывоопасных зонах и не изолирован от контакта с источником электропитания.
- Убедитесь в отсутствии электрических кабелей, газовых труб и т.д., которые могут создать опасность при повреждении в результате использования инструмента.

ОПАСНОСТИ, ВЫЗВАННЫЕ ПЫЛЬЮ И ВЫХЛОПНЫМИ ГАЗАМИ

Если инструмент используется в месте, где присутствует статическая пыль, это может привести к ее возгоранию и стать причиной опасности.

Применяются следующие положения:

- Оценка риска должна включать в себя оценку пыли, образованной в результате использования инструмента, и потенциальной возможности возгорания имеющейся пыли.
- Направляйте выхлопные газы таким образом, чтобы свести к минимуму возгорание пыли в запыленной среде.
- При возникновении опасностей, связанных с пылью или выхлопными газами, приоритет отдается контролю в точке выброса.

ОБЩЕЕ ОПИСАНИЕ

- Ручной силовой гвоздезабивной пистолет состоит из пневматического силового блока, корпуса с направляющими и магазина, в котором энергия подается линейным движением на загруженное крепежное изделие с целью ввода крепежного изделия в определенные материалы, если не используется специальное крепежное изделие, предназначенное для использования в бетоне или стали.
- Любое другое использование запрещено.

ПРЕДУПРЕЖДЕНИЯ

Инструменты с символом могут использоваться только для производственных целей. Любое другое использование запрещено.

- Запрещается прикасаться пальцем спускового крючка при поднятии инструмента, перемещении между рабочими зонами и положениями или во время ходьбы, поскольку прикосновение пальца к спусковому крючку может привести к его случайному срабатыванию. В случае инструментов с выборочным срабатыванием всегда проверяйте инструмент перед использованием, чтобы убедиться, что выбран правильный режим.
- Данный инструмент имеет либо выборочное срабатывание при контакте, либо непрерывное срабатывание при контакте, задаваемое с помощью переключателей режима срабатывания, или представляет собой инструмент со срабатыванием при контакте или непрерывном контакте и обозначен символом выше. Он предназначен для использования в производстве, например, поддонов, мебели, корпусов, обивки и обшивки.
- При использовании данного инструмента в режиме выборочного срабатывания всегда следите за тем, чтобы у него были установлены правильные настройки срабатывания.
- Запрещается использовать данный инструмент в режиме контактного срабатывания для таких целей, как закрытие коробок или ящиков и установка систем обеспечения безопасности при транспортировке на прицепы и грузовые автомобили.
- Будьте осторожны при переходе с одного места забивки в действие на другое.



RU

ПРЕДУПРЕЖДЕНИЯ О ТЕХНИКЕ БЕЗОПАСНОСТИ

- Прочтите и примите к сведению данные предупреждения во избежание получения травм как вами, так и посторонними лицами. Дополнительная информация приведена в разделах, посвященных использованию инструмента, техническому обслуживанию и поиску и устранению неисправностей.
- Несоблюдение данных указаний может привести к серьезным травмам.
- Не выбрасывать в мусор.



- Операторы и другие сотрудники, находящиеся в рабочей зоне, должны носить ударопрочные очки с боковыми щитками. Несоблюдение данного требования может привести к серьезным травмам. CE эквивалентен стандарту EN166



- Всегда надевайте другие средства индивидуальной защиты, такие как средства защиты органов слуха, перчатки и каску.
- Носите только те перчатки, которые обеспечивают надлежащие тактильные ощущения и безопасное управление спусковыми крючками и регулируемыми устройствами.
- Операторы и другие сотрудники, находящиеся в рабочей зоне, должны носить средства защиты органов слуха.
- Незащищенное воздействие высоких уровней шума может привести к постоянной потере слуха, приводящей к инвалидности, и другим проблемам, таким как тиннитус (звон, жужжание, свист или гул в ушах).
- Соответствующие меры контроля для снижения риска могут включать такие действия, как демпфирование материалов для предотвращения «звона» заготовок.
- Используйте соответствующие средства защиты органов слуха.
- Во избежание ненужного повышения уровня шума эксплуатируйте и обслуживайте инструмент в соответствии с рекомендациями данной инструкции.
- Если инструмент оснащен глушителем, всегда следите за тем, чтобы он был установлен и находился в хорошем рабочем состоянии во время эксплуатации инструмента.



- Воздействие вибрации может привести к повреждению нервов и нарушению кровоснабжения рук и кистей рук.
- При работе в холодных условиях носите теплую одежду, держите руки в тепле и сухих условиях.
- Если вы испытываете онемение, покалывание, боль или побеление кожи пальцев или кистей рук, обратитесь за медицинской помощью к квалифицированному специалисту по гигиене труда в отношении общей деятельности.
- Во избежание ненужного повышения уровня вибрации эксплуатируйте и обслуживайте инструмент в соответствии с рекомендациями данной инструкции.
- Удерживайте инструмент легким, но надежным хватом, поскольку угроза от вибрации обычно выше, когда усилие хвата больше.

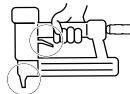


- Будьте внимательны, следите за своими действиями и действуйте в соответствии со здравым смыслом при работе с силовым инструментом. Не используйте инструмент в состоянии усталости или под воздействием наркотиков, алкоголя или медикаментов. Момент невнимательности при эксплуатации силовых инструментов может привести к серьезным травмам.

- Используйте только правильное энергоснабжение в соответствии с указаниями.
- Запрещается использовать кислород, углекислый газ или любой другой баллонный газ в качестве источника питания для данного инструмента; инструмент взорвется и причинит серьезную травму.
- Использование кислорода или горючих газов для пневматических инструментов создает опасность пожара или взрыва.



- Всегда убирайте палец со спускового крючка, когда не забиваете крепежные изделия. Никогда не носите инструмент, держа палец на спусковом крючке или под ним. При ударе о наконечник инструмент забивает крепежное изделие.
- Когда инструмент не используется, он должен лежать на боку, отключенным от подачи воздуха.
- Положение покоя предполагает снятие пальца со спускового крючка и расположение инструмента таким образом, чтобы наконечник не приводился в действие.



- Всегда относитесь к инструменту, как к заряженному крепежными изделиями. Не направляйте инструмент на себя и других людей. Инструмент не является игрушкой. Относитесь к инструменту, как к орудию труда.
- Не приближайте руки и ноги к траектории выстрела.
- Гвоздезабивными инструментами должны пользоваться только квалифицированные операторы.

- Забивайте крепежные изделия только в рабочую поверхность; никогда не забивайте их в материалы, которые являются слишком твердыми для крепежных изделий.
- Для стальных и бетонных инструментов требуется дополнительная прижимная сила.
- Во время работы возможен выброс мусора из наконечника и системы сортировки.
- Убедитесь, что инструмент всегда надежно закреплен на заготовке и не скользит.

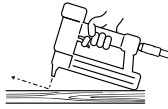


- Запрещается использовать инструменты, имеющие функцию «Контактное сбрызгивание»:
 - если изменение мест забивки осуществляется с использованием маршевых лестниц, приставных лестниц или строительных лесов;
 - для закрытия коробок или ящиков;
 - для монтажа систем обеспечения безопасности при транспортировке;
 - на передвижных платформах.
- Ознакомьтесь и поймите риски, связанные с выборочным сбрызгиванием в разделе «Использование инструмента».



- Не применяйте к инструменту силу. Позвольте инструменту сделать свою работу. Используйте подходящий инструмент для вашей области применения. Подходящий инструмент выполнит свою работу лучше и безопаснее с той скоростью, для которой он был разработан.
- Не перусердствуйте.
- Всегда сохраняйте правильную опору и равновесие.

- Не вводите крепежные изделия поверх других крепежных изделий или с использованием инструмента под слишком крутыми углами.
- Крепежное изделие может отклониться и вызвать травму.



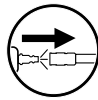
- При использовании инструмента следует соблюдать осторожность, поскольку возможна отдача инструмента после забивки крепежного изделия. Если случайно допускается повторное соприкосновение наконечника с рабочей поверхностью после отдачи, происходит нежелательная забивка крепежного изделия. Поэтому для предотвращения таких ситуаций позволяйте отдаче полностью отвести инструмент от рабочей поверхности после забивки крепежного изделия. Не вдавливайте наконечник в рабочую поверхность, пока не появится необходимость во втором крепежном изделии.



- Держите инструмент правильно, крепко взявшись за него, будьте готовы противодействовать нормальным или внезапным движениям, таким как отдача, и справляться с ними. Захват должен быть надежным, но подходящим для снижения риска вибрации, которая может привести к серьезным травмам.
- Сохраняйте равновесие тела и надежную опору.
- Соблюдайте осторожность при использовании пневматических инструментов, так как инструмент остывает. Это может влиять на хват и управляемость инструментом.

- Не забивайте крепежные изделия вблизи края рабочей поверхности.
- Крепежное изделие может отклониться и вызвать травму.
- Не подпускайте посторонних лиц.
- Четко обозначьте свою рабочую зону.

- Отключите инструмент от подачи воздуха перед выполнением технического обслуживания инструмента, удалением застрявшего крепежного изделия, выполнением регулировок, выходом из рабочей зоны, перемещением инструмента в другое место или передачей его другому лицу.



- Инструмент может выстрелить крепежным изделием при подключении к системе подачи воздуха, поэтому Ⓛ перед подключением воздушного шланга выньте все крепежные изделия из инструмента.
- Будьте осторожны при обращении с крепежными изделиями при загрузке / выгрузке. Крепежные изделия имеют острые концы.

- Запрещается использовать инструмент, если наконечник, спусковой крючок или пружины вышли из строя, отсутствуют или повреждены. Запрещается самостоятельно вносить изменения или снимать наконечник, спусковой крючок или пружины.
- Изменения могут снизить эффективность защитных мер и увеличить риск для оператора / посторонних лиц.
- Запрещается использовать поврежденный инструмент.

- Убедитесь, что все винты и крышки всегда надежно затянуты. Ежедневно выполняйте проверки для обеспечения свободного перемещения спускового крючка и наконечника. Запрещается использовать инструмент, если детали отсутствуют, изношены или повреждены.
- Всегда используйте вторую ручку (если она имеется).

- Используйте только рекомендованные или продаваемые компанией Senco детали, крепежные изделия, смазки и принадлежности. Запрещается вносить изменения в инструмент без разрешения компании Senco.

- Используйте только чистый, сухой, регулируемый сжатый воздух при рекомендуемом давлении.
- Всегда отключайте подачу воздуха и отключайте инструмент, когда он не используется.

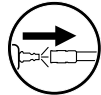
- Инструменты не должны подключаться к источникам давления, которое потенциально может превышать максимальное рабочее давление на 10 %.
- Не превышайте максимальное рабочее давление Ps макс.

- Инструменты, отмеченные треугольником, нельзя использовать, если они не оснащены эффективным наконечником.
- Инструменты без наконечника могут случайно выстрелить, что может привести к травмам.



- Стенды для крепления инструмента к опоре должны быть спроектированы и изготовлены производителем стенда таким образом, чтобы инструмент можно было надежно закрепить для использования по назначению.

- Инструмент и шланг подачи воздуха должны иметь соединительный nipple, чтобы при отсоединении муфты давление с инструмента было снято.
- Сжатый воздух может стать причиной тяжелых травм.
- Перед заменой насадок, регулировкой и/или ремонтом, а также при перемещении из рабочей зоны в другую всегда отключайте инструмент от подачи сжатого воздуха.
- Никогда не направляйте сжатый воздух на себя или кого-либо еще.
- Битие шланга может привести к серьезным травмам – всегда проверяйте, не поврежден ли и не ослаблен ли шланг.



- Запрещается загружать крепежные изделия при нажатом спусковом крючке или вдавленном наконечнике.

- Запрещается использовать инструмент без этикетки с обозначением категории риска на инструменте. Если этикетка отсутствует, повреждена или нечитаема, обратитесь к представителю компании Senco для получения новой этикетки.



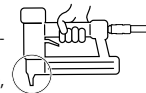
- Запрещается использовать инструмент, имеющий утечки воздуха или требующий ремонта.
- Запрещается использовать инструмент, если он поврежден.
- Запрещается носить или волочить пневматический инструмент за шланг.

- Запрещается выполнять какой-либо «сварийный» ремонт» без надлежащих инструментов и оборудования.
- Перед использованием всегда проверяйте инструмент на наличие сломанных, отсоединенных, ослабленных или изношенных деталей.





Перед внесением любых изменений в инструмент необходимо получить письменное разрешение производителя инструмента.





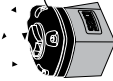

- Держите руки и другие части тела подальше от зоны, обозначенной кругом, во избежание возможных травм во время эксплуатации.
- Держите пальцы подальше от спускового крючка, когда вы не работаете с инструментом и перемещаетесь из одного рабочего положения в другое.







ИСПОЛЬЗОВАНИЕ ИНСТРУМЕНТА

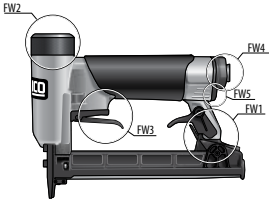
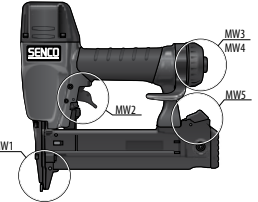

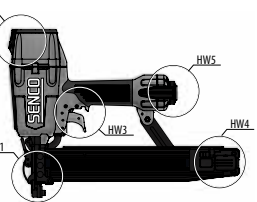
Инструмент	Загрузка	Разгрузка	Выпуск	Тип спускового крючка	Опция защитного выстрела	Глубина регулировки забивки	Удаление помех	Защитный элемент
SFT10XP		Выброс в задней части инструмента (B1)		Одиночный (D1)	(E1)	Нет	Через магазин	Нет
SFT10XP-LIN		Выброс в магазине (B2)	Задний	Двойной				
SFT10XP-DL	Нижняя загрузка (A1)	Выброс в задней части инструмента (B1)		Одиночный (D1)	Н/П	Нет		
SFW09		Выброс в магазине (B2)	Передвижной					
SFW05			Регулируемый (C1)		Н/П			
SKSXP			Регулируемый (C1)			У защитного основания		
SMS41XP			Передний	Нижний пуск (I)	(E2)	У канала спускового крючка	Затор (F1)	Да
NS20XP		Потяните за подаватель. Нажмите для разблокировки (B3)	Регулируемый (C1)			У защитного основания		
NS20BXP	Верхняя загрузка (A2)		Регулируемый (C1)		(E1)			
PS15XP			Передвижной	Последовательный (D1)				Да
PS20XP			Регулируемый (C1)		Н/П			
SOS55XP			Регулируемый (C1)					
SLS25XP		Потяните за подаватель. Нажмите для разблокировки (B3)	Передвижной					
SLS20XP	Верхняя загрузка (A2)		Регулируемый (C1)		Н/П			
SMS92			Регулируемый (C1)					
SLS18Mg			Задний, регулируемый (C2)	Выбираемый				
S150LS	Нижняя загрузка (A1)	Выброс в задней части инструмента (B1)	Регулируемый (C1)		Н/П	У канала спускового крючка	Через магазин	Да
S150MS			Регулируемый (C1)	Одиночный (D1)				
WCS30		Потяните за подаватель. Нажмите для разблокировки (B3)	Передний	Одиночный (D1)	Н/П	У соединения	Через магазин	Да
WCS160	Верхняя загрузка (A2)							

Номер рисунка модели	Описание	Примечания к изображению	Описание	Номер рисунка модели	Примечания к изображению	
A1	 <p>Нижняя загрузка</p>	Запрещается выполнять загрузку при нажатом спусковом крючке.		D1	 <p>Одиночный</p>	<p>① Прижмите наконечник (защитный элемент) к рабочей поверхности.</p> <p>② Потяните спусковой крючок, осуществляется забивка крепежного изделия.</p>

<p>A2</p>  <p>Верхняя загрузка</p>	<p>Запрещается выполнять загрузку при вдавленном наконечнике (защитный элемент) или нажатом спусковом крючке.</p>
<p>B1</p>  <p>Выброс в задней части инструмента</p>	<p>Нажмите защелку, сдвиньте планку, чтобы ее открыть.</p>
<p>B2</p>  <p>Разблокируйте магазин</p>	<p>Нажмите защелку, сдвиньте планку, чтобы ее открыть.</p>
<p>B3</p>  <p>Потяните за подаватель. Нажмите для разблокировки.</p>	<p>Сдвиньте лоток подавателя обратно в «закрытое» положение.</p>
<p>C1</p>  <p>Регулируемый</p>	<p>Отражатель можно прокручивать для изменения направления отработанного воздуха</p>
<p>C2</p>  <p>Задний, регулируемый</p>	<p>Отражатель можно прокручивать для изменения направления отработанного воздуха</p>

<p>D2</p>  <p>Нижний</p>	<p>① Потяните спусковой крючок. ② Прижмите наконечник к рабочей поверхности и зафиксируйте изделие. При каждом прижатии наконечника (защитный элемент) к рабочей поверхности осуществляется забивка крепежного изделия.</p>
<p>E1</p>  <p>Опция автоматического выстрела</p>	<p>Данные инструменты оснащаются регулируемой скоростью забивки. Для регулировки скорости прокрутите винт не более чем на три оборота против часовой стрелки для увеличения скорости забивки. Прокрутите винт по часовой стрелке не более чем на три оборота по часовой стрелке для уменьшения скорости забивки. Для одиночной забивки потяните спусковой крючок частично. Для автоматической работы потяните спусковой крючок до конца.</p>
<p>E2</p>  <p>Опция автоматического выстрела</p>	<p>Данный инструмент оснащается регулируемой скоростью забивки. Для регулировки скорости прокрутите винт не более чем на три оборота против часовой стрелки (Q) для увеличения скорости забивки. Прокрутите винт по часовой стрелке не более чем на три оборота (P) для уменьшения скорости забивки.</p>
<p>F1</p>  <p>Защелка</p>	<p>Разблокируйте E-Z. Откройте защелку и дверцу.</p>

ЭЛЕМЕНТЫ ИНСТРУМЕНТА

<p>Скобозабивной пистолет для тонкой проволоки</p>  <p>FW1 Размыкающий механизм FW2 Крышка FW3 Спусковой крючок FW4 Впускное отверстие FW5 Выпускное отверстие</p>	<p>Скобозабивной пистолет для средней проволоки</p> <p>Нижняя загрузка</p>  <p>MW1 Наконечник MW2 Спусковой крючок MW3 Выпускное отверстие MW4 Впускное отверстие MW5 Размыкающий механизм магазина</p> <p>Верхняя загрузка</p>  <p>MW6 Лоток подавателя</p>	<p>Скобозабивной пистолет для толстой проволоки</p>  <p>HW1 Наконечник HW2 Выпускное отверстие HW3 Спусковой крючок HW4 Лоток подавателя HW5 Впускное отверстие</p>
---	--	---

ТЕХНИЧЕСКОЕ ОБСЛУЖИВАНИЕ

Предупреждение

- Ремонтные работы, отличные от описанных в настоящем документе, должны выполняться только обученным, квалифицированным персоналом. Для получения информации обратитесь в компанию SENCO по тел.: +31 320 295 575.
- Прежде чем приступить к техническому обслуживанию инструмента, прочтите раздел под названием «Предупреждения о технике безопасности».
- Используйте только те запасные части, которые указаны производителем или уполномоченным представителем.
- Все винты должны быть туго затянуты. Незатянутые винты могут стать причиной небезопасной эксплуатации и поломки деталей.
- Ежемесячная проверка

• Когда инструмент отключен, выполняйте ежедневную проверку свободного движения наконечника и спускового крючка. Запрещается использовать инструмент, если наконечник или спусковой крючок заедает или туго двигается.

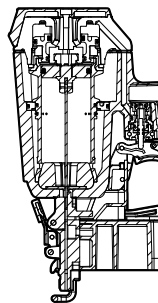
• Впрыскивайте пневматическое масло SENCO (от 5 до 10 капель) во впускное отверстие для воздуха дважды в день (в зависимости от частоты применения инструмента). Другие масла могут повредить уплотнительные кольца и прочие детали инструмента.

• Некоторые инструменты компании SENCO являются безмасляными и НЕ требуют масла, см. этикетку.

• Ежедневно вытирайте инструмент насухо и проверяйте его на износ. Используйте негорючие очищающие растворы только в случае необходимости.

- **Запрещается погружать инструмент в жидкости.**
- **Внимание!** Такие растворы могут повредить уплотнительные кольца и прочие детали инструмента.
- Утилизируйте моющие средства надлежащим образом.

ПОИСК И УСТРАНЕНИЕ НЕИСПРАВНОСТЕЙ



В случае заклинивания скобы:

- Отключите подачу воздуха.
- Выньте крепежные изделия.
- Удалите помеху.
- Выполните процедуру загрузки.

1	<p>ПРИЗНАК Утечка воздуха в верхней части инструмента. / Замедленная работа</p> <p>РЕШЕНИЕ Проверьте подачу воздуха / затяните винты или установите ремонтный комплект – см. каталог запасных частей.</p>
2	<p>ПРИЗНАК Утечка воздуха вблизи нижней части инструмента / Плохая отдача.</p> <p>РЕШЕНИЕ Очистите инструмент / затяните винты или установите ремонтный комплект. См. каталог запасных частей.</p>
3	<p>ПРИЗНАК Другие проблемы.</p> <p>РЕШЕНИЕ Свяжитесь с компанией SENCO.</p>

ТЕХНИЧЕСКИЕ ХАРАКТЕРИСТИКИ

Тип инструмента	Минимальное и максимальное рабочее давление	Потребление воздуха (60 циклов в минуту), л	Впуск воздуха	Максимальная скорость (циклов в секунду)	Масса, кг	Вместимость шоб	Размер инструмента: Высота, мм	Размер инструмента: Длина, мм	Размер инструмента: Ширина: Основной корпус, мм
Серия XtremePro									
SFT10XP	4,5–7,0 бар	33,0	1/4 дюймов NPT	30 (автом.)	0,96	180	167	218	42,0
SFT10XP-DL	4,5–7,0 бар	33,0	1/4 дюймов NPT	30 (автом.)	1,31	180	167	376	42,0
SFT10XP-LN	4,5–7,0 бар	33,0	1/4 дюймов NPT	30 (автом.)	0,92	180	207	218	42,0
SLS20XP	4,8–8,3 бар	54,4	1/4 дюймов NPT	10	1,10	168	216	305	51,0
SLS25XP	4,8–8,3 бар	54,4	1/4 дюймов NPT	10	1,21	168	229	305	50,0
SKSXP	4,8–8,3 бар	61,2	1/4 дюймов NPT	5	1,90	145	238	314	76,0
NS20XP	4,8–8,3 бар	113,0	3/8 дюймов NPT	10	2,31	160	279	381	89,0
NS20BXP	4,8–8,3 бар	136,0	3/8 дюймов NPT	10	2,64	160	279	381	102,0
SQSS5XP	5,5–8,3 бар	185,0	3/8 дюймов NPT	15	2,70	130	305	365	92,0
SNS50XP	5,5–8,3 бар	185,0	3/8 дюймов NPT	15	2,70	160	305	365	92,0
PS15XP	4,8–8,3 бар	90,0	3/8 дюймов NPT	10	2,30	160	225	387	89,0
PS20XP	4,8–8,3 бар	97,0	3/8 дюймов NPT	10	2,40	160	225	387	89,0
Серия Pro									
SFW09	4,8–8,3 бар	21,8	1/4 дюймов NPT	15	2,00	110	151	241	49,0
SLS18MG	4,8–8,3 бар	68,0	1/4 дюймов NPT	5	1,17	110	241	260	63,5
SMS92	5,0–8,0 бар	55,5	1/4 дюймов NPT	3	1 858	160	274	310	78,0
SNS41	5,5–8,3 бар	153,0	3/8 дюймов NPT	12	2,10	160	273	381	86,0
WC330-SP	5,0–8,0 бар	175,6	3/8 дюймов NPT		5,85	120	400	397	133,0
WC360-SP	5,0–8,0 бар	261,0	3/8 дюймов NPT		6,25	120	400	470	138,0
Серия SemiPro									
SFW05	5,2–6,9 бар	27,0	1/4 дюймов NPT	5	0,90	100	163	229	45,0
S150LS	4,8–8,3 бар	54,4	1/4 дюймов NPT	5	1,46	100	227	249	68,0
S150MS	4,8–8,3 бар	54,4	1/4 дюймов NPT	5	1,46	100	227	249	68,0

АССОРТИМЕНТ СКОБ

Тип инструмента	Тип скоб																	
	A	AT	B	C	E	F	G	K	92	L	M	N	O	P	Q	S	SP	
SFT10XP	6-16	6-16	6-16	6-16	6-16	6-16	6-16											
SFT10XP-DL		6-16	6-16	6-16		6-16	6-16											
SFT10XP-LN		6-16		6-16														
SLS20XP								13-25		10-38	10-38							
SLS25XP										10-38	10-38							
SXSXP										19-38	22-38	22-38						
NS20XP												25-50	25-50					
NS20BXP												25-50	25-50					
SQS55XP															32-65	44-90		
SNS50XP												32-50						
PS15XP														16-38				
PS20XP														22-50				
SPW09		6-16		6-16		6-16												
SLS18MG										10-38	10-38							
SMS92									18-40									
SNS41												25-50	25-50					
WC330-SP																	65-130	
WC360-SP																	90-160	
SPW05		6-16	6-16	6-16														
S150										10-38	10-38							

Длина опоры, мм

ДАННЫЕ ПО ШУМУ

Данные по шуму в соответствии с EN12549	Данные значения являются характерными для инструмента и не отражают шума, производимого в месте использования. Конструкция рабочего места также может обеспечивать снижение уровней шума, например, при размещении заготовки на звукоизоляционных опорах.
Данные по вибрации в соответствии с EN 292, части 1 и 2	Данное значение является характерным для инструмента и не отражает влияния на систему «рука-рычаг» при использовании инструмента.

Тип инструмента	Уровень звукового давления (L _{ра}), дБ	Уровень звуковой мощности (L _{ра}), дБ	Уровень вибрации, м/с ²
Серия XtremePro			
SFT10XP	81,9	92,1	1,7
SFT10XP-DL	81,9	92,1	1,7
SFT10XP-LN	81,9	92,1	1,7
SLS20XP	80	87	< 2,5
SLS25XP	83	89	< 2,5
SKSXP	86	91	< 2,5
NS20XP	90	96	2,3
NS20BXP	90	96	2,7
SQS55XP	93	99	3,1
SNS50XP	93	99	3,1
PS15XP	90	96	2,3
PS20XP	90	96	2,7
Серия Pro			
SFW09	66,3	74,2	< 2,5
SLS18MG	84	91	< 2,5
SMS92	89,9	102,9	< 2,5
SNS41	84	92	< 2,5
WC330-SP	90	103	2,86
WC360-SP	91	104	3,51
Серия SemiPro			
SFW05	80	85	< 2,5
S150LS	88	101	< 2,5
S150MS	88	101	< 2,5

RU

ПРИНАДЛЕЖНОСТИ

Компания SENCO предлагает полную линейку принадлежностей для ваших инструментов SENCO, включая:

- Воздушные компрессоры
- Шланги
- Муфты
- Фитинги
- Защитные очки
- Манометры
- Смазочные материалы
- Регуляторы
- Фильтры



Для получения более подробной информации или полного иллюстрированного каталога принадлежностей компании SENCO посетите веб-сайт SENCO.EU.

İÇİNDEKİLER

İşverenin Sorumlulukları	123
Genel Tanım	123
Uyarılar	123
Güvenlik Uyarıları	124
Aletin Kullanımı	126
Bakım	128
Sorun giderme	128
Teknik Veriler	129
Çivi Aralığı	130
Gürültü Bilgileri	131
Aksesuarlar	131
Uygunluk Beyanı	132
Sınırlı Garanti	134

İŞVERENİN SORUMLULUKLARI



Bu kılavuzun aleti kullanmak üzere görevlendirilen tüm personel tarafından okunduğunu ve anlaşıldığını temin etmek işverenin sorumluluğundadır. Bu kılavuzu ileride başvurmak üzere saklayın. Tüm tehlikeler için risk değerlendirmesi yapılması ve uygun kontrollerin gerçekleştirilmesi zorunludur.

İŞ YERİNDEKİ TEHLİKELER

Aşağıdakilere dikkat edin:

- Kaymalar, takılmalar ve düşmeler, iş yerindeki yaralanmaların en önemli nedenleridir. Alet kullanımının neden olduğu kaygan yüzeylere ve ayrıca hava besleme hortumlarından kaynaklanabilecek takılma tehlikelerine karşı dikkatli olun.
- Bilmediğiniz ortamlarda dikkatli ilerleyin. Elektrik veya başka tesisat hatları gibi gizli tehlikeler olabilir.
- Bu alet, potansiyel olarak patlayıcı atmosferlerde kullanıma yönelik değildir ve elektrik ile temasa karşı yalıtılmamıştır.
- Aletin kullanımı nedeniyle zarar görmesi durumunda bir tehlike oluşturabilecek hiçbir elektrik kablosu, gaz borusu vb. olmadığından emin olun.

TOZ VE TAHLİYE BORUSU TEHLİKELERİ

Alet statik tozun bulunduğu bir alanda kullanılırsa tozu kaldırabilir ve tehlikeye neden olabilir.

Aşağıdakilere dikkat edin:

- Risk değerlendirmesinde aletin kullanımından kaynaklanan toz ve rahatsız edici toz varlığı potansiyeli yer almalıdır.
- Tahliye borusunu, tozlu bir ortamda tozun vereceği rahatsızlığı en aza indirecek şekilde yönlendirin.
- Tozun veya tahliye borusu tehlikelerinin olduğu yerlerde öncelik, bunları emisyon noktasında kontrol etmek olmalıdır.

GENEL TANIM

- Bir pnömomatik güç kaynağından, kılavuz gövdeden ve betonda veya çelikte kullanıma yönelik özel bir çivi kullanılmadıkça çivinin tanımlanan malzemelere çakılması amacıyla enerjinin doğrusal bir hareketle doldurulana çiviye uygulandığı hazneden oluşan el tipi havali çivi çakma aleti.
- Başka herhangi bir amaçla kullanımı yasaktır.

UYARILAR

- Bu sembolle işaretlenen aletler sadece üretim uygulamaları için kullanılabilir. Başka herhangi bir amaçla kullanımı yasaktır.
- Parmağınızı tetiğin üzerinde tutmak aletin kazara çalışmasına neden olabileceğinden aleti alırken, çalışma alanları arasında ilerlerken ve pozisyonunuzu değiştirirken veya yürürken parmağınızı tetiğin üzerinde tutmayın. Seçkili çalışma özelliğine sahip aletlerde doğru modun seçtiğinden emin olmak için kullanmadan önce her zaman aleti kontrol edin.
 - Bu alet, çalışma modu seçim düğmeleri ayarlanarak temasla çalışma veya sürekli temasla çalışma moduna sahiptir ya da temasla çalışan veya sürekli temasla çalışan bir alettir ve yukarıdaki sembole işaretlenmiştir. Palet, mobilya, prefabrik ev, döşeme ve kaplama gibi üretim uygulamaları için kullanıma yöneliktir.
 - Bu aleti seçkili çalışma modunda kullanıyorsanız her zaman doğru çalışma ayarında olduğundan emin olun.
 - Bu aleti kutuları veya kasaları kapatma ve nakliye emniyet sistemlerini römorkların ve kamyonların üzerine sabitlemek gibi uygulamalar için temasla çalışma modunda kullanmayın.
 - Bir çalışma noktasından diğerine geçerken dikkatli olun.

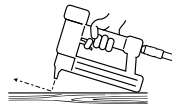
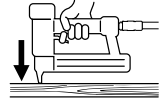
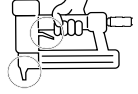


GÜVENLİK UYARILARI

- Kendinizin ve etrafınızdakilerin yaralanmasını önlemek için bu uyarıları okuyun ve anlayın. Ek bilgi için aletin kullanımı, bakımı ve sorun giderme bölümlerine bakın.
- Uyanlara uymamak ağır yaralanmaya neden olabilir.
- Atmayın.
- Operatörler ve çalışma alanındaki diğer kişiler yan siperli darbeye dayanıklı gözlük takmalıdır. Aksi taktirde ağır yaralanma meydana gelebilir. EN166 ile eş değer CE
- Her zaman kulaklık, eldiven ve baret gibi diğer kişisel koruyucu ekipmanları takın.
- Sadece tetiği uygun şekilde hissetmenizi ve güvenli şekilde kontrol etmenizi ve cihazları ayarlamanızı sağlayan eldivenler takın.
- Operatörler ve çalışma alanındaki diğer kişileri koruyucu kulaklık takmalıdır.
- Korumasız bir şekilde yüksek seviyede gürültüye maruz kalmak kalıcı, vazifeyi önleyici işitme kaybına ve kulak çınlaması (kulaklarda çınlama, uğultu, vızıltı veya vınlama) gibi diğer sorunlara neden olabilir.
- Bu riski azaltacak uygun kontroller arasında iş parçalarının "çınlamasını" önleyen sönümleme malzemelerinin kullanımı gibi eylemler yer alabilir.
- Uygun bir kulak koruyucu kullanın.
- Gürültü seviyelerinde gereksiz artışı önlemek için aleti bu talimatlarda önerildiği şekilde kullanın ve bakımını yapın.
- Alet bir susturucuya sahipse alet kullanılırken her zaman yerinde ve iyi durumda olduğundan emin olun.
- Titreşime maruz kalmak, ellerdeki ve kollardaki sinirlerde ve kan akışında vazifeyi önleyici hasara neden olabilir.
- Soğuk koşullarda çalışırken sıcak tutan kıyafetler giyin, ellerinizi sıcak ve kuru tutun.
- Parmaklarınızda veya ellerinizde uyuşma, karıncalanma, ağrı veya ciltte beyazlama hissederseniz iş yerinde genel faaliyetler konusunda uzman bir sağlık personeline başvurun.
- Titreşim seviyelerinde gereksiz artışı önlemek için aleti bu talimatlarda önerildiği şekilde kullanın ve bakımını yapın.
- Kavrama kuvveti ne kadar yüksek olursa titreşim riski de o kadar yüksek olduğundan aleti hafifçe, ama elinizden kaçırılmayacak kadar sıkı tutun.
- Elektrikli bir alet kullanırken tetikte olun, dikkatinizi yaptığınız işe verin ve sağduyulu davranın. Aleti yorgunken veya uyuşturucu, alkol veya ilaç etkisi altında kullanmayın. Elektrikli aletleri kullanırken bir anlık dikkatsizlik, ağır fiziksel yaralanma ile sonuçlanabilir.



- Sadece belirtilen doğru güç kaynağını kullanın
- Bu alet için güç kaynağı olarak hiçbir zaman oksijen, karbondioksit veya başka herhangi bir tüp gaz kullanmayın; alet patlayacak ve ağır yaralanmaya neden olacaktır.
- Pnömatik aletler için oksijen veya yanıcı gazlar kullanmak yangın veya patlama tehlikesi oluşturur.
- Çivileri çakmadığınızda parmağınızı her zaman tetikten çekin. Aleti hiçbir zaman parmağınız tetiğin üzerinden veya altından taşımayın. İş parçası contağının çarpması hâlinde alet, bir çivi fırlatacaktır.
- Alet, hava ile bağlantısı kesilmiş hâlde yan tarafı üzerine dayanmalıdır.
- Dayama pozisyonunda parmağınız aletten çekilmiş olmalı ve alet, iş parçası contağının etkinleşmeyeceği bir şekilde yerleştirilmelidir.
- Her zaman aletin içerisinde çivi olduğunu varsayın. Aleti kendinize veya başkalarına doğru tutmayın. Aletle şaka yapmayın. Alete bir çalışma vasıtası olarak itibar edin.
- Ellerinizi ve ayaklarınızı fırlatma yönünden uzak tutun.
- Çivi çakma aletlerini sadece vasıflı operatörler kullanmalıdır.
- Çivileri sadece çalışma yüzeyine çakın; hiçbir zaman delmesi zor malzemelere çakmayın.
- Çelik ve beton için ilave bastırma kuvveti gerekir.
- Çalışma sırasında iş parçasından çıkan artık ve dizme sistemi boşaltılabilir.
- Aletin her zaman iş parçasına güvenle tutturulduğundan ve kaymadığından emin olun.
- Aşağıdaki durumlarda "Temasla Çalışma" özelliği ile donatılmış aletler kullanılmamalıdır:
 - Çakma noktaları arasında merdivenler, el merdivenleri veya iskele üzerinden geçiş yapıyorsanız.
 - Kutuları veya kasaları kapatmak için.
 - Nakliye emniyet sistemlerini sabitlemek için.
 - Hareketli platformlarda
- "Aletin Kullanımı" bölümünde seçili çalışma özelliğinin taşıdığı riskleri okuyun ve anlayın.
- Aleti zorlamayın. Aletin işini yapmasına izin verin. Uygulamaları için doğru aleti kullanın. Doğru alet, işi tasarlandığı hızda daha iyi ve daha güvenli şekilde yapacaktır.
- Uzanmayın
- Her zaman yere sağlam ve dengeli bir şekilde basın.
- Çivileri diğer çivilerin üzerine veya aleti çok dar/geniş bir açıda tutarak çakmayın.
- Çivi kayabilir ve yaralanmaya neden olabilir.



- Aleti kullanırken bir çivi çakıldıktan sonra aletin geri tepme ihtimaline karşı dikkatli olunmalıdır. Bir geri tepmeden sonra kazara iş parçası kontağının çalışma yüzeyine tekrar temas etmesine izin verilmesi hâlinde, istenmeyen bir çivi çakılır. Bu nedenle bu durumu önlemek için bir çivi çakıldıktan sonra çalışma yüzeyinden geri tepen aletin tamamen durmasını bekleyin. İkinci bir çivi istenene kadar iş parçası kontağını çalışma yüzeyinin üzerine bastırmayın.



- Aleti sıkı ve doğru şekilde tutun ve geri tepme gibi normal veya ani hareketlere karşı tepki vermek için hazırlıklı olun. Ağır yaralanmaya neden olabilecek titreşim tehlikesini azaltmak için hafif, ama elinizden kaçırılmayacak kadar sıkı tutun.
- Vücut dengeyi koruyun ve yere sağlam basın.
- Alet soğumaya başladığında pnömomatik aletleri kullanırken dikkatli olun. Bu, tutuşunuzu ve kontrolünüzü etkileyebilir.

- Çivileri çalışma yüzeyinin kenarına yakın çakmayın.
- Çivi kayabilir ve yaralanmaya neden olabilir.
- Yakınızdaki kişileri uzaklaştırın.
- Çalışma alanınızın sınırlarını açıkça işaretleyin.

- Aletin bakımını yapmadan, sıkıyın bir çivi çikarmadan, ayar yapmadan, çalışma alanını terk etmeden, aleti başka bir yere taşımadan veya aleti başka bir kişiye vermeden önce aletin havayla bağlantısını kesin.



- Alet hava kaynağına bağlıyken çivi fırlatabilir; bu nedenle, ① hava hortumunu takmadan önce tüm çivileri aletten çıkarın.
- Çivileri doldururken/boşaltırken dikkatli olun. Çiviler sivri uçlara sahiptir.

- İş parçası kontağı, tetik veya yaylar çalışmaz hâlde, eksik veya hasarlıysa aleti kesinlikle kullanmayın. İş parçası kontağı, tetik veya yaylarla oynamayın veya çıkarmayın.
- Değişiklik yapmak güvenlik önlemlerinin etkinliğini azaltabilir ve operatör/yakındaki kişiler için riski artırabilir.
- Alet hasar görmüşse kullanmayın.

- Her zaman tüm vidaların ve başlıkların iyice sıkıldığından emin olun. Tetiğin ve iş parçası kontağının serbestçe hareket ettiğini her gün kontrol edin. Parçalar eksikse, aşınmışsa veya zarar görmüşse asla aleti kullanmayın.
- Her zaman (verilmişse) ikinci kulbu kullanın

- Sadece SENCO tarafından önerilen veya satılan parçaları, çivileri, yağları ve aksesuarları kullanın. SENCO'nun izni olmadan alet üzerinde değişiklik yapmayın.

- Sadece önerilen basınç seviyesinde temiz, kuru, ayarlı basınçlı hava kullanın.
- Kullanılmadığında her zaman hava beslemesini kapatın ve aletin bağlantısını kesin.

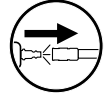
- Aletler, potansiyel olarak maksimum çalışma basıncını %10 aşan basınca bağlanmamalıdır.
- Maksimum çalışma basıncı olan Ps maks'ı aşmayın.

- Ters üçgen ile işaretlenmiş aletler, etkili bir iş parçası kontağı takılmadıkça kullanılamayabilir.
- İş parçası kontağı olmayan aletler kazara ateşleme yaparak yaralanmaya neden olabilir.



- Aletlerin bir destek üzerine monte edilmesi için kullanılan standlar, stand üreticisi tarafından aletin kullanım amacına uygun ve güvenli takılabileceği bir şekilde tasarlanmalı ve imal edilmelidir.

- Alet ve hava besleme hortumu, bağlantı bileziği ayrıldığında alettaki tüm basıncın tahliye edileceği bir bağlantı nipeline sahip olmalıdır.
- Basınçlı hava, ağır yaralanmaya neden olabilir.
- Aksesuarları değiştirmeden, ayar ve/veya onarım yapmadan önce veya bir çalışma alanından diğerine geçerken her zaman aleti basınçlı hava kaynağından ayırın.
- Basınçlı havayı hiçbir zaman kendinize veya başka bir kişiye doğru tutmayın.
- Kırbaç gibi savrulak hortum, ağır yaralanmaya neden olabilir – hasarlı veya gevşek hortuma karşı her zaman kontrol edin.



- Çivileri tetik veya iş parçası kontağı basılı hâlde doldurmayın.

- Üzerinde tehlike etiketi olmayan aleti kullanmayın. Etiket eksikse, hasarlıysa veya okunamaz durumdaysa yeni bir etiket almak için SENCO temsilcinizle iletişime geçin.



- Hava kaçırın veya onarıma ihtiyacı olan bir aleti hiçbir zaman kullanmayın.
- Alet hasarlıysa kullanmayın.
- Pnömomatik bir aleti hiçbir zaman hortumundan tutarak taşımayın veya sürüklemeyin.

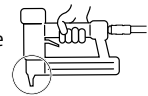
- Uygun aletler ve ekipmanlar olmadan herhangi bir "acil onarım" yapmayın.



- Kullanmadan önce her zaman aleti kırık, yanlış bağlantı, gevşek veya aşınmış parçalara karşı kontrol edin.

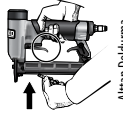
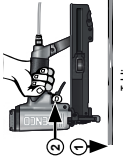
Alet üzerinde herhangi bir değişiklik yapmadan önce alet üreticisinin yazılı onayı alınmalıdır.


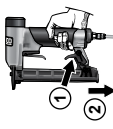
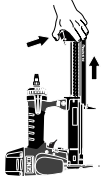

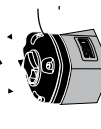
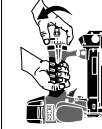
- Çalışma sırasında olası yaralanmaları önlemek için ellerinizi ve diğer uzuvlarınızı daire içerisinde gösterilen alandan uzak tutun.
- Aleti kullanmadığınızda veya bir çalışma pozisyonundan diğerine geçerken parmaklarınızı tetikten çekin.







ALETİN KULLANIMI

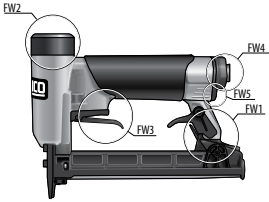


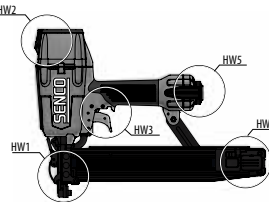
Alet	Doldurma	Boşaltma	Egzoz	Tetik Türü	Otomatik Atış Seçeneği	Delme Derinliği Ayarı	Sıkışma Giderme	Emniyet elemanı
SFT0XP		Aletin altından açın (B1)		Tekli (D1)	(E1)	Yok	Şarjör ile	Yok
SFT10XP-LIN		Şarjörden çıkarın (B2)	Arka	İkili				
SFT10XP-DL		Aletin altından açın (B1)		Tekli (D1)	Bulunmuyor	Yok		
SFW09		Şarjörden çıkarın (B2)	Oynatılabilir					
SFW05			Ayarlanabilir (C1)					
SKSXP								
SMS41XP								
NS20XP								
NS2008P	Üstten Doldurma (A2)	Besleyiciyi çekin. Açmak için dokunun (B3)	Ön	Alttan atış (I)	(E2)	Emniyet ayağından	Kapak (F1)	Evet
PS15XP						Tetik yuvasından		
PS20XP						Emniyet ayağından		
SOS55XP			Ayarlanabilir (C1)					
SLS25XP			Oynatılabilir		(E1)			
SLS20XP	Üstten Doldurma (A2)	Besleyiciyi çekin. Açmak için dokunun (B3)		Sıralı (D1)		Bağlantı yerinden	Kapak (F1)	Evet
SMS92			Ayarlanabilir (C1)					
SLS18Mg			Arka-Ayarlanabilir (C2)					
SF50MS	Alttan Doldurma (A1)	Aletin altından açın (B1)	Ayarlanabilir (C1)	Seçilebilir		Tetik yuvasından	Şarjör ile	Evet
SF50MS			Ayarlanabilir (C1)	Tekli (D1)		Bağlantı yerinden		
WC30								
WC360	Üstten Doldurma (A2)	Besleyiciyi çekin. Açmak için dokunun (B3)	Ön	Tekli (D1)		Bağlantı yerinden	Şarjör ile	Evet

Matris Resim no.	Tasvir	Görsel Notları	Matris Resim no.	Tasvir	Görsel Notları
A1	 Altıtan Doldurma	Tetik basılcıya doldurmayın	D1	 Tekli	<ol style="list-style-type: none"> 1 İş parçası kontağını (emniyet elemanı) çalışma yüzüne bastırın. 2 Tetiği çekin ve zımba tetini çakın.

A2		İş parçası kontajı (emniyet elemanı) veya tetik basılı hâlde dolulmayın
B1		Mandali bastırın, rayı kaydırarak açın
B2		Mandali bastırın, rayı kaydırarak açın
B3		Besleyici pabucunu çekerek "kilitli" konuma getirin.
C1		Egzoz havası akış yönünü değiştirmek için yön değiştiriciyi döndürebilirsiniz
C2		Egzoz havası akış yönünü değiştirmek için yön değiştiriciyi döndürebilirsiniz

D2		<p>① Tetiği çekin.</p> <p>② İş parçası kontajını çalışma yüzeyine bastırın ve bir zımba teli çakın.</p> <p>İş parçası kontajını (emniyet elemanı) çalışma yüzeyine her bastırdığınızda bir zımba teli çakılır.</p>
E1		<p>Bu aletler bir delme oranı ayarı ile donatılmıştır. Hızı ayarlamak için vidayı en fazla üç tur döndürün. Saat yönünün tersine döndürdüğünde delme hızı artar. Delme hızını azaltmak için vidayı saat yönünde en fazla üç tur döndürün. Tek atışlı olarak kullanmak için tetiği biraz çekin. Otomatik olarak kullanmak için tetiği sonuna kadar çekin.</p>
E2		<p>Bu alet bir delme oranı ayarı ile donatılmıştır. Hızı ayarlamak için vidayı en fazla üç tur döndürün. Saat yönünün tersine (Q) döndürmek delme hızını artırır. Delme hızını azaltmak için vidayı saat yönünde (P) en fazla üç tur döndürün.</p>
F1		E-Z Clear mandalını kaldırın ve kapağı açın.

ALET ELEMANLARI

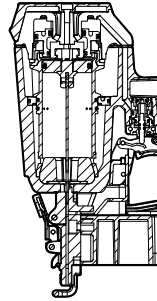
İnce Telli Zimba Tabancası	Orta Telli Zimba Tabancası	Kalın Telli Zimba Tabancası
 <p>FW1 Şarjör Açma Mandalı FW2 Kapak FW3 Tetik FW4 Giriş FW5 Egzoz</p>	<p>Alttan Doldurma</p>  <p>MW1 İş Parçası Konağı MW2 Tetik MW3 Egzoz MW4 Giriş MW5 Şarjör Açma Mandalı</p> <p>Üstten Doldurma</p>  <p>MW6 Besleyici Pabucu</p>	 <p>HW1 İş Parçası Konağı HW2 Egzoz HW3 Tetik HW4 Besleyici Pabucu HW5 Giriş</p>

BAKIM

Uyarı

- Burada belirtilenlerin dışındaki onarımlar eğitimli, kalifiye kişiler tarafından yapılmalıdır. Bilgi almak için bu numaradan SENCÖ ile irtibat kurun: +31 320 295 575.
- Aletin bakımını yapmadan önce "Güvenlik Uyarıları" bölümünü okuyun.
- Sadece üretici veya yetkili temsilci tarafından belirtilen yedek parçaları kullanın.
- Tüm vidalar sıkı tutulmalıdır. Gevşek vidalar çalışma güvenliğini bozar ve parçaların kırılmasına neden olur.
- Ayda bir kez kontrol edin
- Aletin güç bağlantısı kesikken iş parçası konağı ve tetiğin serbestçe hareket ettiğinden emin olmak için günlük inceleme yapın. İş parçası konağı veya tetik yapıyorsanız veya takılıyorsa aleti kullanmayın.
- Günde iki kez (aletin kullanım sıklığına bağlı olarak) hava girişine SENCÖ pnömomatik yağı (5 ila 10 damla) sıkın. Diğer yağlar O-halkalarına veya aletin diğer parçalarına zarar verebilir.
- Bazı SENCÖ aletleri Yağsızdır ve yağ GEREKTİRMEZ, etiketi kontrol edin.
- Günde bir kez silerek temizleyin ve aşınma olup olmadığını inceleyin. Sadece gerekli olduğu durumlarda yanıcı olmayan temizlik sıvıları kullanın.
- Suya Batırmayın.**
- Dikkat:** Bu tarz sıvılar O-halkalarına veya aletin diğer parçalarına zarar verebilir.
- Temizlik malzemelerini doğru şekilde tasfiye edin.

SORUN GİDERME



Çivinin Sıkışması Hâlinde:

- Hava Beslemesini Kesin
- Bağlantı Elemanlarını Çıkarın
- Sıkışmayı Giderin
- Doldurma yöntemini uygulayın

1	<p>BELİRTİ Aletin üst kısmında hava kaçağı / Ağır çalışma</p> <p>ÇÖZÜM Hava beslemesini denetleyin / vidaları sıkın veya Onarım Kiti'ni takın – Parça Kılavuzu'na bakın</p>
2	<p>BELİRTİ Aletin alt kısmında hava kaçağı / Zayıf geri dönüş.</p> <p>ÇÖZÜM Aleti temizleyin / vidaları sıkın veya Onarım Kiti'ni takın Parça Kılavuzu'na bakın</p>
3	<p>BELİRTİ Diğer sorunlar.</p> <p>ÇÖZÜM SENCÖ ile iletişime geçin.</p>

TEKNİK VERİLER

Alet Türü	Minimum/maksimum çalışma basıncı	Hava Tüketimi (Dakikada 60 çevrim) litre	Hava Girişi	Maksimum Hız (saniye başına çevrim)	Ağırlık Kg	Zımba Teli Kapasitesi	Alet boyutu: Yükseklik mm	Alet boyutu: Uzunluk mm	Alet boyutu: Genişlik Ana Gövde mm
XtremePro Serisi									
SFT10XP	4,5-7,0 bar	33,0	1/4 inç NPT	30 (Otomatik)	0,96	180	167	218	42,0
SFT10XP-DL	4,5-7,0 bar	33,0	1/4 inç NPT	30 (Otomatik)	1,31	180	167	376	42,0
SFT10XP-LN	4,5-7,0 bar	33,0	1/4 inç NPT	30 (Otomatik)	0,92	180	207	218	42,0
SLS20XP	4,8-8,3 bar	54,4	1/4 inç NPT	10	1,10	168	216	305	51,0
SLS25XP	4,8-8,3 bar	54,4	1/4 inç NPT	10	1,21	168	229	305	50,0
SKSXP	4,8-8,3 bar	61,2	1/4 inç NPT	5	1,90	145	238	314	76,0
NS20XP	4,8-8,3 bar	113,0	3/8 inç NPT	10	2,31	160	279	381	89,0
NS20BXP	4,8-8,3 bar	136,0	3/8 inç NPT	10	2,64	160	279	381	102,0
SQS55XP	5,5-8,3 bar	185,0	3/8 inç NPT	15	2,70	130	305	365	92,0
SNS50XP	5,5-8,3 bar	185,0	3/8 inç NPT	15	2,70	160	305	365	92,0
PS15XP	4,8-8,3 bar	90,0	3/8 inç NPT	10	2,30	160	225	387	89,0
PS20XP	4,8-8,3 bar	97,0	3/8 inç NPT	10	2,40	160	225	387	89,0
Pro Serisi									
SFW09	4,8-8,3 bar	21,8	1/4 inç NPT	15	2,00	110	151	241	49,0
SLS18MG	4,8-8,3 bar	68,0	1/4 inç NPT	5	1,17	110	241	260	63,5
SMS92	5,0-8,0 bar	55,5	1/4 inç NPT	3	1.858	160	274	310	78,0
SNS41	5,5-8,3 bar	153,0	3/8 inç NPT	12	2,10	160	273	381	86,0
WC330-SP	5,0-8,0 bar	175,6	3/8 inç NPT		5,85	120	400	397	133,0
WC360-SP	5,0-8,0 bar	261,0	3/8 inç NPT		6,25	120	400	470	138,0
SemiPro Serisi									
SFW05	5,2-6,9 bar	27,0	1/4 inç NPT	5	0,90	100	163	229	45,0
S150LS	4,8-8,3 bar	54,4	1/4 inç NPT	5	1,46	100	227	249	68,0
S150MS	4,8-8,3 bar	54,4	1/4 inç NPT	5	1,46	100	227	249	68,0

ZIMBA TELİ ARALIĞI

Alet Türü	Zimba Teli Türü																	
	A	AT	B	C	E	F	G	K	92	L	M	N	O	P	Q	S	SP	
SFT10XP	6-16	6-16	6-16	6-16	6-16	6-16	6-16											
SFT10XP-DL		6-16	6-16	6-16		6-16	6-16											
SFT10XP-LN		6-16		6-16														
SLS20XP								13-25		10-38	10-38							
SLS25XP										10-38	10-38							
SKSXP										19-38	22-38	22-38						
NS20XP												25-50	25-50					
NS20BXP												25-50	25-50					
SQS55XP															32-65	44-90		
SNS50XP												32-50						
PS15XP														16-38				
PS20XP														22-50				
SFW09		6-16		6-16		6-16												
SLS18MG										10-38	10-38							
SMS92								18-40										
SNS41												25-50	25-50					
WC330-SP																	65-130	
WC360-SP																	90-160	
SFW05		6-16	6-16	6-16														
S150										10-38	10-38							

Ayak uzunluğu (mm)

GÜRÜLTÜ BİLGİLERİ

Gürültü Bilgileri

EN12549 uyarınca

Bu değerler, alete ilişkin öz değerlerdir ve aletin kullandığı yerdeki gürültüyü temsil etmezler. İş parçasının sesi azaltan destekler üzerine yerleştirilmesi gibi çalışma yeri tasarımı da gürültü seviyelerini düşürmeye yardımcı olabilir.

Titreşim Bilgileri

EN 292 Kısım 1 ve 2 uyarınca

Bu değer, alete ilişkin bir öz değerdir ve aletin kullandığı zaman el-kol sistemi üzerindeki etkiyi yansıtmamaktadır.

Alet Türü	Ses basıncı seviyesi (Lpa) dB	Ses gücü seviyesi (Lwa) dB	Titreşim seviyesi m/s2
XtremePro Serisi			
SFT10XP	81,9	92,1	1,7
SFT10XP-DL	81,9	92,1	1,7
SFT10XP-LN	81,9	92,1	1,7
SLS20XP	80	87	<2,5
SLS25XP	83	89	<2,5
SKSXP	86	91	<2,5
NS20XP	90	96	2,3
NS20BXP	90	96	2,7
SQS55XP	93	99	3,1
SNS50XP	93	99	3,1
PS15XP	90	96	2,3
PS20XP	90	96	2,7
Pro Serisi			
SFW09	66,3	74,2	<2,5
SLS18MG	84	91	<2,5
SMS92	89,9	102,9	<2,5
SNS41	84	92	<2,5
WC330-SP	90	103	2,86
WC360-SP	91	104	3,51
SemiPro Serisi			
SFW05	80	85	<2,5
S150LS	88	101	<2,5
S150MS	88	101	<2,5

AKSESUARLAR

SENCO, sahip olduğunuz SENCO aletleri için şu bileşenlerin de yer aldığı eksiksiz bir aksesuar koleksiyonu sunar:

- Hava Kompresörleri
- Hortum
- Birleştiriciler
- Bağlantı Parçaları
- Korumucu Gözlükler
- Basınç Ölçerler
- Yağlar
- Düzenleyiciler
- Filtreler

Daha fazla bilgi almak veya tüm SENCO aksesuarlarının bulunduğu resimli kataloğu incelemek için SENCO.EU adresini ziyaret edin.



DECLARATION OF CONFORMITY

DE

DECLARATION OF CONFORMITY	KONFORMITÄTserklÄrung	CONFORMITEITSVERKLARING
<p>We KYOCERA SENCO Industrial Tools, Inc. of 4270 Ivy Pointe Blvd. Cincinnati, Ohio 45245</p> <p>in accordance with the following directive(s): Machine Directive 2006/42/EC</p> <p>declare under our sole responsibility that Model(s):</p> <p>SFT10XP, SFT10XP-DL, SFT10XP-LN, SLS20XP, SLS25XP, SKSXP, NS20XP, NS20BXP, SQS55XP, PS15XP, PS20XP, SFW09, SLS18MG, SMS92, SNS41, WC330-SP, WC360-SP, SFW05, S150LS, S150MS</p> <p>is in conformity with the applicable essential health and safety requirements of the following documents: 2006/42/EC ISO11148-13:2018</p> <p>Signed by: Chris Klein Position: Director of Engineering Place of DOC: KYOCERA SENCO Industrial Tools , Inc. 4270 Ivy Pointe Blvd. Cincinnati, Ohio 45245 On Date: October 25, 2019 Authorized Representative:</p> <p>Name: Fred van Gerven Address: KYOCERA SENCO Netherlands B.V. Pascallaan 88 8218 NJ Lelystad</p>	<p>Wir KYOCERA SENCO Industrial Tools, Inc. von 4270 Ivy Pointe Blvd. Cincinnati, Ohio 45245</p> <p>in Übereinstimmung mit den folgenden Richtlinien: Maschinenrichtlinie 2006/42/EG</p> <p>erklären in alleiniger Verantwortung, dass: Modell/Modelle:</p> <p>SFT10XP, SFT10XP-DL, SFT10XP-LN, SLS20XP, SLS25XP, SKSXP, NS20XP, NS20BXP, SQS55XP, PS15XP, PS20XP, SFW09, SLS18MG, SMS92, SNS41, WC330-SP, WC360-SP, SFW05, S150LS, S150MS</p> <p>den geltenden Gesundheits- und Sicherheitsanforderungen entspricht, so wie sie in den folgenden Dokumenten festgehalten werden: 2006/42/EC ISO11148-13:2018</p> <p>Unterschieden von: Chris Klein Position: Director of Engineering Ort der Erklärung: KYOCERA SENCO Industrial Tools , Inc. 4270 Ivy Pointe Blvd. Cincinnati, Ohio 45245 Ursprüngliche Herausgabe: 25. Oktober 2019 Autorisierter Repräsentant: (autorisiert, die technische Dokumentation zusammenzustellen)</p> <p>Name: Fred van Gerven Adresse: KYOCERA SENCO Netherlands B.V. Pascallaan 88 8218 NJ Lelystad</p>	<p>Wij KYOCERA SENCO Industrial Tools, Inc. uit 4270 Ivy Pointe Blvd. Cincinnati, Ohio 45245</p> <p>in overeenstemming met de volgende richtlijn(en): Machinerichtlijn 2006/42/EC</p> <p>verklaren onder onze eigen verantwoording dat: Model(len):</p> <p>SFT10XP, SFT10XP-DL, SFT10XP-LN, SLS20XP, SLS25XP, SKSXP, NS20XP, NS20BXP, SQS55XP, PS15XP, PS20XP, SFW09, SLS18MG, SMS92, SNS41, WC330-SP, WC360-SP, SFW05, S150LS, S150MS</p> <p>in overeenstemming is met de toepasselijke essentiële gezondheids-en veiligheidsvoorschriften van de volgende documenten: 2006/42/EC ISO11148-13:2018</p> <p>Ondertekend door: Chris Klein Functie: Engineeringdirecteur Locatie van doc.: KYOCERA SENCO Industrial Tools , Inc. 4270 Ivy Pointe Blvd. Cincinnati, Ohio 45245 Originele uitgave: 25 Oktober 2019 Gebourisierde v ertegenwoordiger: (gemaaktgd om het technisch dossier samen te stellen)</p> <p>Naam: Fred van Gerven Adres: KYOCERA SENCO Netherlands B.V. Pascallaan 88 8218 NJ Lelystad</p>
<p>YHDENMUKAISUVAKUUTUS</p> <p>Me KYOCERA SENCO Industrial Tools, Inc. osoitteesta 4270 Ivy Pointe Blvd. Cincinnati, Ohio 45245</p> <p>seuraavien direktiivien mukaisesti: Konodirektiivi 2006/42/EY</p> <p>Julistamme yksinomaisella vastuullamme, että: Malli(t):</p> <p>SFT10XP, SFT10XP-DL, SFT10XP-LN, SLS20XP, SLS25XP, SKSXP, NS20XP, NS20BXP, SQS55XP, PS15XP, PS20XP, SFW09, SLS18MG, SMS92, SNS41, WC330-SP, WC360-SP, SFW05, S150LS, S150MS</p> <p>on seuraavien asiakirjojen soveltuvien olennaisten työsuojeluväestömuutosten mukainen: 2006/42/EC ISO11148-13:2018</p> <p>Allekirjoitus: Chris Klein Asema: Koneenrakennusjohtaja Antopaikka: KYOCERA SENCO Industrial Tools , Inc. 4270 Ivy Pointe Blvd. Cincinnati, Ohio 45245 Alkuperäisjulkaisu: 25 Lokakuu 2019 Valtuutettu edustaja: (olla on teknisen tiedoston koonvillaltuudet)</p> <p>Nimi: Fred van Gerven Osoite: KYOCERA SENCO Netherlands B.V. Pascallaan 88 8218 NJ Lelystad</p>	<p>ERKLÄRUNG OM SAMSVAR</p> <p>Vi, KYOCERA SENCO Industrial Tools, Inc. med adresse 4270 Ivy Pointe Blvd. Cincinnati, Ohio 45245, USA,</p> <p>erklærer i henhold til følgende direktiv(er): Maskindirektiv 2006/42/EF</p> <p>under v ert ansvar ar at: Modell(er):</p> <p>SFT10XP, SFT10XP-DL, SFT10XP-LN, SLS20XP, SLS25XP, SKSXP, NS20XP, NS20BXP, SQS55XP, PS15XP, PS20XP, SFW09, SLS18MG, SMS92, SNS41, WC330-SP, WC360-SP, SFW05, S150LS, S150MS</p> <p>er lagert i henhold til gjeldende grunnleggende bestemmelser for helse og sikkerhet i følgende dokumenter: 2006/42/EC ISO11148-13:2018</p> <p>Underskrevet av: Chris Klein Stilling: teknisk sjef Dokumentets sted: KYOCERA SENCO Industrial Tools , Inc. 4270 Ivy Pointe Blvd. Cincinnati, Ohio 45245, USA Opprinnelig utstedt: 25 Oktober 2019 Autorisert representant: (godkj ert for å sette sammen den tekniske filen)</p> <p>Navn: Fred van Gerven Adresse: KYOCERA SENCO Netherlands B.V. Pascallaan 88 8218 NJ Lelystad</p>	<p>FÖRSÄKRAN OM ÖVERENSSTÄMMELSE</p> <p>Vi, KYOCERA SENCO Industrial Tools, Inc. med adress 4270 Ivy Pointe Blvd. Cincinnati, Ohio 45245</p> <p>förklarar i enlighet med följande direktiv: Machindirektiv 2006/42/EG</p> <p>och under v ert eget ansvar ar at: Modell(er):</p> <p>SFT10XP, SFT10XP-DL, SFT10XP-LN, SLS20XP, SLS25XP, SKSXP, NS20XP, NS20BXP, SQS55XP, PS15XP, PS20XP, SFW09, SLS18MG, SMS92, SNS41, WC330-SP, WC360-SP, SFW05, S150LS, S150MS</p> <p>uppfyller gällande hälsö- och säkerhetsföreskrifter angivna på följande dokument: 2006/42/EC ISO11148-13:2018</p> <p>Undertecknat av: Chris Klein Position: Director of Engineering Plats för konformitetsbekräftelsen: KYOCERA SENCO Industrial Tools , Inc. 4270 Ivy Pointe Blvd. Cincinnati, Ohio 45245 Originelet utställt: 25 Oktober 2019 Auktoriserad representant: (auktoriserad att sammanställa det tekniska registret)</p> <p>Naam: Fred van Gerven Adres: KYOCERA SENCO Netherlands B.V. Pascallaan 88 8218 NJ Lelystad</p>

DECLARATION DE CONFORMITE	DECLARACION DE CONFORMIDAD	DICHIARAZIONE DI CONFORMITA
<p>Nous, KYOCERA SENCO Industrial Tools, Inc. sis au 4270 Ivy Pointe Blvd. Cincinnati, Ohio 45245</p> <p>conformément à la (aux) directive(s) suivante(s) : Machine Directive 2006/42/EC</p> <p>déclarons, en vertu de notre responsabilité exclusive, ce qui suit. Modèle(s) :</p> <p>SFT10XP, SFT10XP-DL, SFT10XP-LN, SLS20XP, SLS25XP, SKSXP, NS20XP, NS20BXP, SQS55XP, PS15XP, PS20XP, SFW09, SLS18MG, SMS92, SNS41, WC330-SP, WC360-SP, SFW05, S150LS, S150MS</p> <p>est conforme aux exigences essentielles applicables en matière de santé et de sécurité, telles que stipulées dans les documents ci-dessous :</p> <p>2006/42/EC ISO11148-13:2018</p> <p>Signé par : Chris Klein Poste : Directeur de l'ingénierie Lieu du document: KYOCERA SENCO Industrial Tools , Inc. 4270 Ivy Pointe Blvd. Cincinnati, Ohio 45245 Version initiale: 25 Octobre 2019</p> <p>Représentant autorisé: (à compléter le fichier technique) Nom: Fred van Gerven Adresse: KYOCERA SENCO Netherlands B.V. Pascallaan 88 8218 NJ Lelystad</p>	<p>Nosotros, KYOCERA SENCO Industrial Tools, Inc. dirección legal 4270 Ivy Pointe Blvd. Cincinnati, Ohio 45245</p> <p>y de acuerdo con la(s) directiv(a)s siguiente(s): Directiva 2006/42/EC sobre máquinas</p> <p>declaramos bajo nuestra entera responsabilidad que: Modelo(s):</p> <p>SFT10XP, SFT10XP-DL, SFT10XP-LN, SLS20XP, SLS25XP, SKSXP, NS20XP, NS20BXP, SQS55XP, PS15XP, PS20XP, SFW09, SLS18MG, SMS92, SNS41, WC330-SP, WC360-SP, SFW05, S150LS, S150MS</p> <p>se ajusta a los requisitos esenciales de salud y seguridad establecidos en los documentos siguientes:</p> <p>2006/42/EC ISO11148-13:2018</p> <p>Firmado por: Chris Klein Cargo: Director de Ingeniería Procedencia de los documentos: KYOCERA SENCO Industrial Tools , 4270 Ivy Pointe Blvd. Cincinnati, Ohio 45245 Emisión original: 25 de Octubre 2019</p> <p>Representante autorizado: (autorizado a completar la ficha técnica) Nombre: Fred van Gerven Dirección: KYOCERA SENCO Netherlands B.V. Pascallaan 88 8218 NJ Lelystad</p>	<p>La società KYOCERA SENCO Industrial Tools, Inc. indirizzo 4270 Ivy Pointe Blvd. Cincinnati, Ohio 45245</p> <p>conformemente alle seguenti direttive: Direttiva macchina 2006/42/CE</p> <p>dichiara sotto la propria esclusiva responsabilità che: Modelli:</p> <p>SFT10XP, SFT10XP-DL, SFT10XP-LN, SLS20XP, SLS25XP, SKSXP, NS20XP, NS20BXP, SQS55XP, PS15XP, PS20XP, SFW09, SLS18MG, SMS92, SNS41, WC330-SP, WC360-SP, SFW05, S150LS, S150MS</p> <p>è conforme ai requisiti essenziali di salute e sicurezza previsti dai seguenti documenti:</p> <p>2006/42/EC ISO11148-13:2018</p> <p>Firmato: Chris Klein Posizione: Responsabile di progettazione Luogo di emissione: KYOCERA SENCO Industrial Tools, Inc. 4270 Ivy Pointe Blvd. Cincinnati, Ohio 45245 Edizione originale: 25 Ottobre 2019</p> <p>Rappresentante autorizzato: (autorizzato alla compilazione del rapporto tecnico) Nome: Fred van Gerven Indirizzo: KYOCERA SENCO Netherlands B.V. Pascallaan 88 8218 NJ Lelystad</p>
<p>OVERENSTEMMELSES DEKLARATIONEN</p> <p>Vi KYOCERA SENCO Industrial Tools, Inc. på 4270 Ivy Pointe Blvd. Cincinnati, Ohio 45245, USA</p> <p>overensstemmelse med følgende direktiv (er): Maskindirektiv 2006/42/EF</p> <p>erklærer under eget ansvar, at: Model(er):</p> <p>SFT10XP, SFT10XP-DL, SFT10XP-LN, SLS20XP, SLS25XP, SKSXP, NS20XP, NS20BXP, SQS55XP, PS15XP, PS20XP, SFW09, SLS18MG, SMS92, SNS41, WC330-SP, WC360-SP, SFW05, S150LS, S150MS</p> <p>er i overensstemmelse med de gældende, obligatoriske sundheds og sikkerhedskrav i følgende dokumenter: 2006/42/EC ISO11148-13:2018</p> <p>Underskrivet af: Chris Klein Stilling: Teknisk direktør Stedet for DOC: KYOCERA SENCO Industrial Tools , Inc. 4270 Ivy Pointe Blvd. Cincinnati, Ohio 45245, USA Original udgave: 25 Oktober, 2019 Autoriseret repræsentant (autoriseret til at udføre den tekniske fil) Navn: Fred van Gerven Adresse: KYOCERA SENCO Netherlands B.V. Pascallaan 88 8218 NJ Lelystad</p>	<p>DEKLARACJA ZGODNOŚCI</p> <p>Mi KYOCERA SENCO Industrial Tools, Inc. Z siedzibą w 4270 Ivy Pointe Blvd. Cincinnati, Ohio 45245</p> <p>w zgodzie z następującymi dyrektywami: Dyrektywa Maszynowa 2006/42/EC</p> <p>deklarujemy z pełną odpowiedzialnością, że Model:</p> <p>SFT10XP, SFT10XP-DL, SFT10XP-LN, SLS20XP, SLS25XP, SKSXP, NS20XP, NS20BXP, SQS55XP, PS15XP, PS20XP, SFW09, SLS18MG, SMS92, SNS41, WC330-SP, WC360-SP, SFW05, S150LS, S150MS</p> <p>są zgodne z normami bezpieczeństwa zawartymi w następujących dokumentach: 2006/42/EC EN792-13:2000+A1:2008</p> <p>Podpisano: Chris Klein Stanowisko: Dyrektor inżynierii Położenie dokumentu: KYOCERA SENCO Industrial Tools, Inc. 4270 Ivy Pointe Blvd. Cincinnati, Ohio 45245 Data: 25 październik 2019 Autoryzowany przedstawiciel: (autoryzowany do spisania danych technicznych) Nazwisko: Fred van Gerven Adres: KYOCERA SENCO Netherlands B.V. Pascallaan 88 8218 NJ Lelystad</p>	

1. Senco Professional End User Warranty Policy

Considering the following constraints Senco underwrites the reliability and the quality of its supplied authorised Senco branded products.

- 1.1 Senco warrants to the end user that the following products will be free from defects in construction, assembly and material for the warranty period specified below.

Product	Warranty period
Senco ® XP Series-Red Cap, pneumatic tools	Five years
Senco ® XP Series-Black Cap, pneumatic tools	Two years
Senco Pro Series, pneumatic tools	One year
Senco Semi-Pro Series, pneumatic tools	One year
Senco DuraSpin ® Series, electric and battery tools	One year
Senco Cordless battery tools	Two years
Senco batteries and chargers for tools	One year
Senco gas tools	Two years
Senco Reconditioned Products	One year
Senco other tools	One year
Senco Compressors	One year

- 1.2 The warranty period starts on the day the end user purchases the product and/or 1 year after the tool has been deleted from the product line, which ever date comes first.
- 1.3 To claim warranty the end user needs to send the defective products or their parts, including the serial number and the original and dated sales receipt or proof of purchase from the original retailer or dealer, freight prepaid to the original retailer or dealer.
- 1.4 Senco is not obliged to do any repairs or replacements on any products or their parts on site.
- 1.5 During the warranty period Senco or its distributors will repair or replace defective products or their parts, exclusively or mainly as a result of an imperfection in construction, assembly or material, at Senco's option and expense, subject to the constraints of this warranty policy.
- 1.6 The repair or replacement of products or their parts under warranty, does in no case lead to prolongation of the warranty period. For every replacement product or part, the remaining original warranty period of the replaced product or part is applicable.
- 1.7 Senco will become the owner of the products or parts that have been replaced by Senco or its distributors as a result of being compliant to Senco's warranty, without being obligated any compensation in this matter.
- 1.8 Excluded from the warranty are:
- normal wear and tear parts, for example rubber o-rings, seals, driver blades, piston stops, piston/driver assemblies, isolators, drive belts, air filters and fuel systems, bits;
 - any imperfection that is a result of or has evolved from the fact that there has not been used clean, dry regulated compressed air and/or the air pressure applied has exceeded the maximum indicated on the tool casting (pneumatic tools);
 - any imperfection that is a result of or has evolved from normal wear, misapplication, abuse/misuse, improper modifications or storage, shipping/transport, accidents, neglect, operation at other than recommended speeds or voltage (electric units only);
 - any imperfection that is a result of or has evolved from explosions, fires and natural disasters, like hurricanes, floods and earthquakes;
 - Any imperfection that is a result of or has evolved from not following operating instructions, specifications and / or maintenance schedules. Read the Operator Manual for use, specifications and maintenance instructions;
 - Any imperfection that is caused by repairs, modifications to the product or attempts to do so by the end user or any third party;
 - Labour charges or loss or damage resulting from improper operation, maintenance or repairs are not covered by this warranty
 - Any warranty claims that have been received after the warranty period, as specified in this end user warranty, has expired.
- 1.9 Additional costs like shipping/transport, special packaging requirements and costs of travel and accommodation, are at the end users expense.
- 1.10 If a complaint is unfounded, all costs incurred thereby, including handling, inspection, shipping and administrative costs on the side of Senco or its distributors, will be charged to the end user.
- 1.11 After expiration of the warranty period, all costs for repair or replacement, including handling, inspection, shipping and administrative costs will be charged to the end user.
- 1.12 Notwithstanding legal limitation periods, the limitation of all claims and appeals against Senco and third parties involved by Senco for the implementation of the agreement is one year.
- 1.13 If Senco fails to meet this agreement, it will not discharge the end user from the obligations arising under this or any other contract.
- 1.14 When the warranty terms can not be met, due to for example import or export prohibitions, strikes or other unforeseen circumstances, the warranty period will be extended accordingly.
- 1.15 Senco's liability is limited to the warranty. Senco is not liable for damage caused by the functioning or non-functioning of the products as delivered, repaired or modified by Senco or its distributors, including but not limited to, production losses, profit losses, reduced working range, commercial losses or consequential damages or indirect damages whatsoever.