

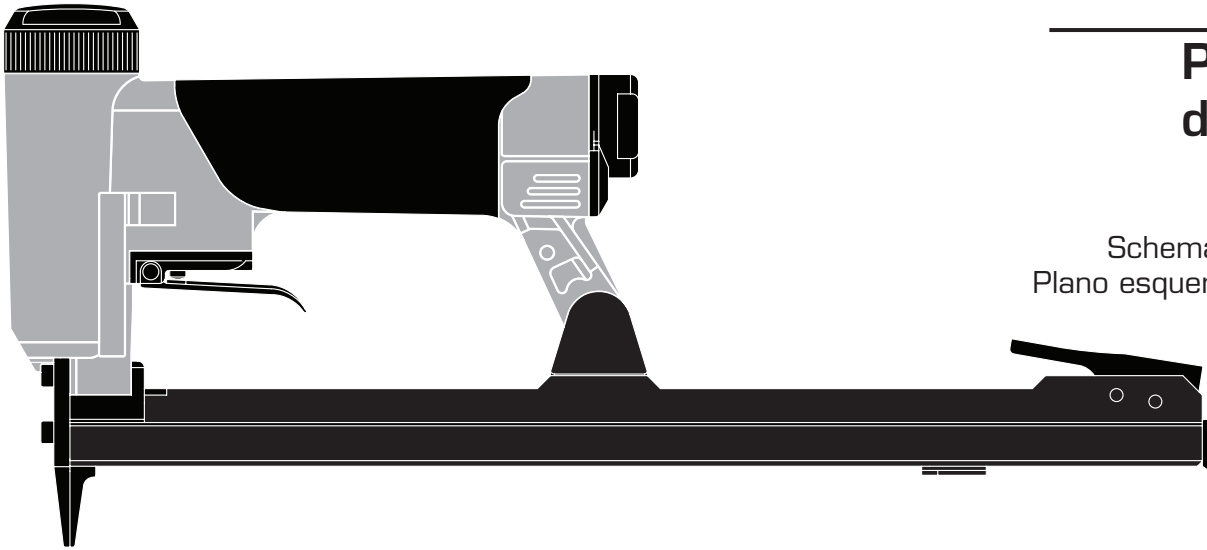


**SFT10XP-DL**

# Double Length Fine Wire Stapler

**Parts Reference Guide**  
**Guía de referencia de piezas**  
**Pièces Guide de référence**

Schematic Drawings Inside  
Plano esquemático en el interior  
Schéma intérieur



**Repair Kit**  
YK0802EU  
YK0803EU

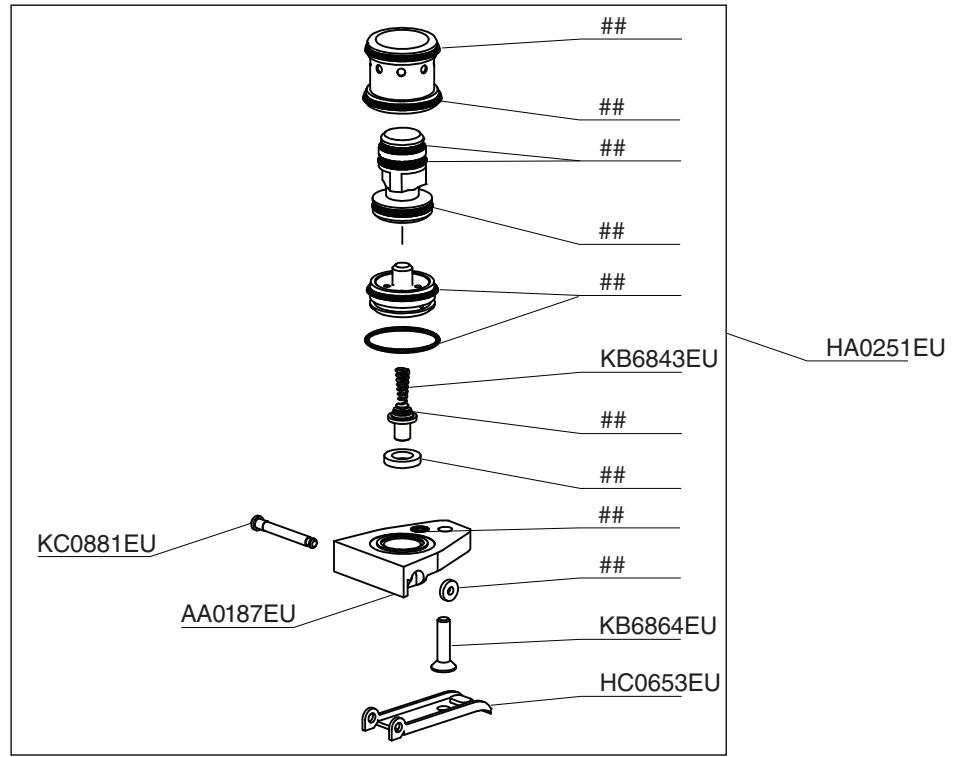
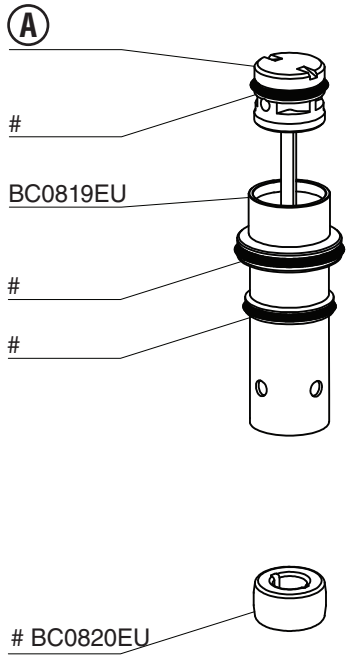
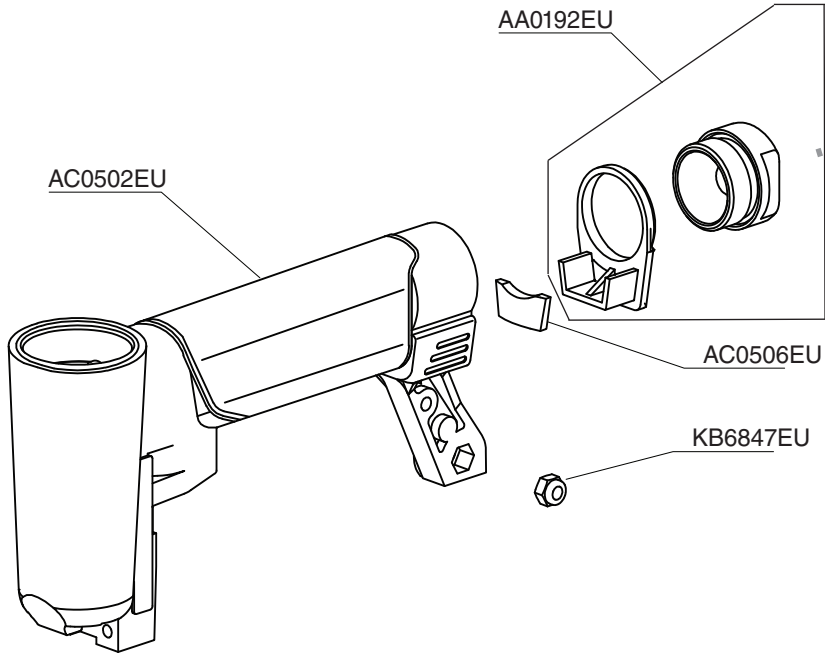
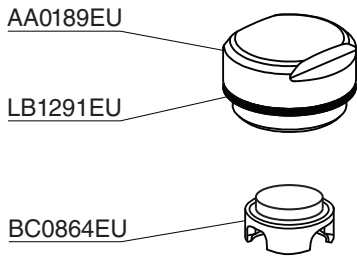
# SENCO®

Senco Brands, Inc.  
4270 Ivy Pointe Blvd.  
Cincinnati, OH 45245  
1-800-543-4596  
[www.senco.com](http://www.senco.com)  
EMEA: [www.senco-emea.com](http://www.senco-emea.com)

EU DESIGNED PARTS CAN BE DIFFERENT

- \* Does Not Include O-rings
- \* No incluye sellos de gomas
- \* Joints exclus

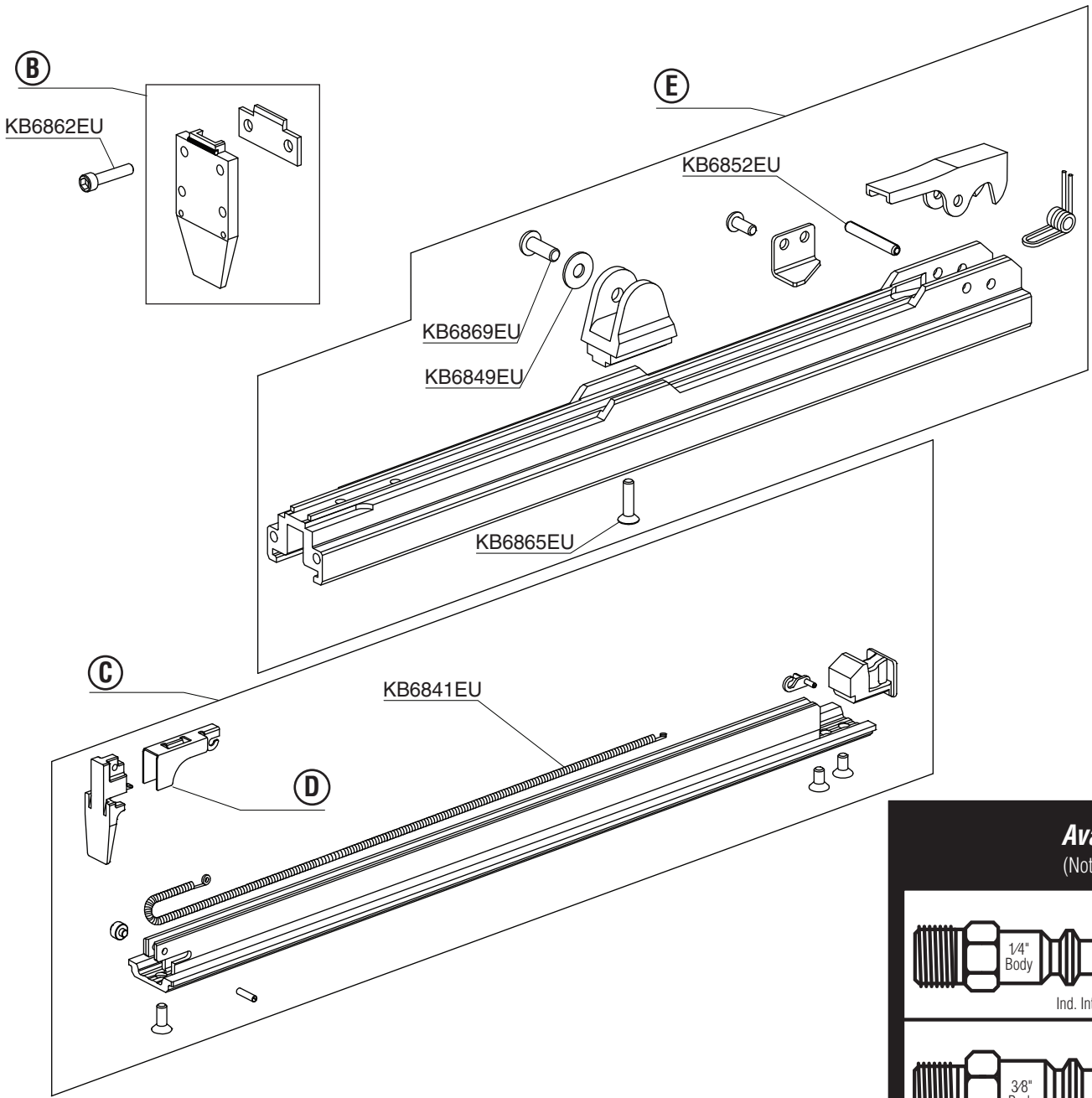
# Contents of YK0802EU Kit  
 ## Contents of YK0803EU Kit



**Tool #**  
 6S2211N B (EU)  
 6S2221N C (EU)  
 6S2241N F (EU)

# Double Length Fine Wire Stapler

**SFT10XP-DL**



**EU DESIGNED PARTS CAN BE DIFFERENT**

Model	A	B	C	D	E
B	EA0245EU	FA0286EU	GA0594EU	GC1360EU	GA0585EU
C	EA0244EU	FA0282EU	GA0579EU	GC1359EU	GA0582EU
F	EA0283EU	FA0288EU	GA0594EU	GC1360EU	GA0585EU
G	EA0251EU	FA0292EU	GA0579EU	GC1359EU	GA0582EU

**Available Plugs**  
(Not Included with Tool)

	PC0479 ✓
Ind. Interchange 1/4" NPT	
	PC0486
Ind. Interchange 1/4" NPT	
	PC0468 ✓
Tru-Flate 1/4" NPT	
	PC0474
Tru-Flate 1/4" NPT	

✓ **Recommended Plugs**  
Plugs shown smaller than actual size

## REPLACEMENT PARTS LIST • LISTA DE PARTES DE REPUESTO • LISTE DE PIÈCES DE RECHANGE

PART NO.	DESCRIPTION	DESCRIPCIÓN	DÉSIGNATION
AA0187EU	TRIGGER PLATE ASY	GATILLO PLACA	GACHETTE PLAQUE
AA0189EU	CAP ASY	TAPA	BOUCHON
AA0192EU	CAP ASY	TAPA	BOUCHON
AC0502EU	MAINBODY	CARCASA	CORPS
AC0506EU	MUFFLER	SILENCIADOR	SILENCIEUX
BC0819EU	CYLINDER SLEEVE	CILINDRO	CYLINDRE
BC0820EU	BUMPER	AMORTIGUADOR	AMORTISSEUR
BC0864EU	VALVE	VÁLVULA	VALVE
EA0244EU	PISTON DRIVER ASY (C)	PISTÓN/ACCIONADOR	PISTON/MOTEUR
EA0245EU	PISTON DRIVER ASY (B)	PISTÓN/ACCIONADOR	PISTON/MOTEUR
EA0251EU	PISTON DRIVER ASY (G)	PISTÓN/ACCIONADOR	PISTON/MOTEUR
EA0283EU	PISTON DRIVER ASY (F)	PISTÓN/ACCIONADOR	PISTON/MOTEUR
FA0282EU	FRONT PLATE ASY (C)	PLACA	PLAQUE
FA0286EU	FRONT PLATE ASY (B)	PLACA	PLAQUE
FA0288EU	FRONT PLATE ASY (F)	PLACA	PLAQUE
FA0292EU	FRONT PLATE ASY (G)	PLACA	PLAQUE
GA0579EU	RAIL ASY (C,G)	ASAMBLE DE CARRIL	RAIL D'ASSEMBLÉE
GA0582EU	MAGAZINE ASY (C,G)	ASAMBLE DE CARGADOR	MAGASIN D'ASSEMBLÉE
GA0585EU	MAGAZINE ASY (B,F)	ASAMBLE DE CARGADOR	MAGASIN D'ASSEMBLÉE
GA0594EU	RAIL ASY (B,F)	ASAMBLE DE CARRIL	RAIL D'ASSEMBLÉE
GC1359EU	FEEDER SHOE (C,G)	ALIMENTADOR	POUSSOIR
GC1360EU	FEEDER SHOE (B,F)	ALIMENTADOR	POUSSOIR
HA0251EU	TRIGGERING ASY	ASAMBLE DE GATILLO	GACHETTE D'ASSEMBLÉE
HC0653EU	TRIGGER	GATILLO	GACHETTE
KB6841EU	SPRING	RESORTE	RESSORT
KB6843EU	SCREW	TORNILLO	VIS
KB6847EU	NUT	TUERCA	ÉCROU
KB6849EU	WASHER	ARANDELA	RONDELLE
KB6852EU	PIN	PASADOR	GOUPILLE
KB6862EU	SCREW	TORNILLO	VIS
KB6864EU	SCREW	TORNILLO	VIS
KB6865EU	SCREW	TORNILLO	VIS
KB6869EU	PIN	PASADOR	GOUPILLE
KC0881EU	PIN	PASADOR	GOUPILLE
LB1291EU	O-RING	SELLO	JOINT