

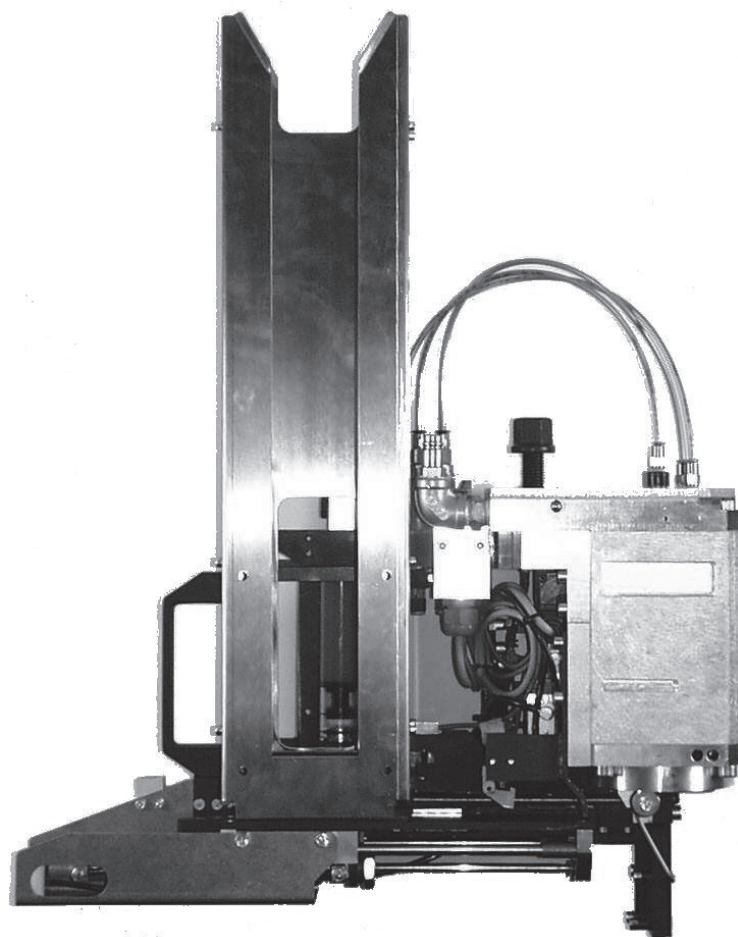
High Load Tool

Operating Instructions

(Translation of Original Instructions)

Betriebsanleitung

(Ursprünglichen Anweisungen)



SENCO[®]

GB	English	3
D	Deutsch	29

TABLE OF CONTENTS

1 General	4
1.1 Application	4
1.2 Technical Data	4
1.3 Machine Elements	5
2 Security Advices	6
2.1 Utilized symbols	6
2.2 Possible threats	6
2.3 Further information on workplace safety	6
2.4 Noise	6
3 Installation/Connection	7
3.1 Installation instructions	7
3.2 Compressed air connection	7
4 Operating	7
4.1 Filling the quick change magazine	7
4.2 Filling of the central lubrication system	7
4.2.1 Venting of lubrication system	8
5 Troubleshooting	8
5.1 Jamming on head remedy	8
5.2 Emptying the stapling head magazine	8
6 Remodeling	8
6.1 Convert to other types of staples	8
6.2 Removing the clamp guide adapter	9
7 Maintenance	9
8 Repairs	9
9 Warranty	9
10 Disposal	9
11 Connection and function diagrams	10
11.1 Pneumatic Plan	10
11.2 Electric plan	11
12 Spare parts lists	12
12.1 Staple machines	12
12.2 SHLS80-N Head	14
12.3 Exhaust cover (complete)	15
12.4 Cover assembly	16
12.5 Valve assembly	17
12.6 Feed	18
12.6.1 Feed unit SHLS80-N	18
12.6.2 Bar feed system	20
12.6.3 Bar feed 2	21
12.7 Grease and lubrication	22
12.8 Slide	23
12.9 Stop	23
12.10 Main carrier	24
12.11 Front Flap	25
12.12 Clip Carrier	26
12.13 Carrier (complete)	26
12.14 Connector	27
12.15 Compressed air supply	28
Declaration of Conformity	28

GENERAL

1 General

Please read these operating instructions carefully and thoroughly before using the high load tool for the first time. In particular, observe the security advice in Chapter 2. These operating instructions must always be readily accessible to every user.

GB

1.1 Application

The High load SHLS80-N is a stapling head with automatic clip magazine. It is used for permanent installation in equipment or production lines, e.g. in prefabricated houses (intended Use).

The system is not an independent part and has to be connected with other parts to complete the whole as a machine. The safety of all hazards must exclude the result from the management and operation of the system.

The system clock cannot be used for vertical movements. Lowering the positioning is possible. For security reasons please use only staples stated in "Technical Data".

1.2 Technical Data

Description	SHLS80-N						
Order number	EM04000	EM04100	EM04200	EM02900	EM04300	EM04400	EM04500
Recommended fasteners	Senco Staples Type						
	N13	N14	N17	N19	N21	N23	N25
Magazine capacity	3080 Staples						
Size	475 x 100 x 613mm					475 x 110 x 613mm	475 x 115 x 613mm
Weight	10...11 kg (without fasteners)						
Severe Head	Drive SHLS80-N						
Control	Pneumatic flow control						
Air pressure hose	12 mm hose connection via hose coupling (subpackage)						
Connection Trigger Pulse	5 pin connector (see Section 11.2)						
Required Trigger Pulse	24 VDC/1,5 W (min.0,05 s)						
Max. Air pressure	8,3 bar						
Operating pressure	5 bar	6 bar					
Issue cycle	Max. 10 staples						
Air pressure useage	ca. 2.000 l/min at 6 bar						

1.3 Machine Elements

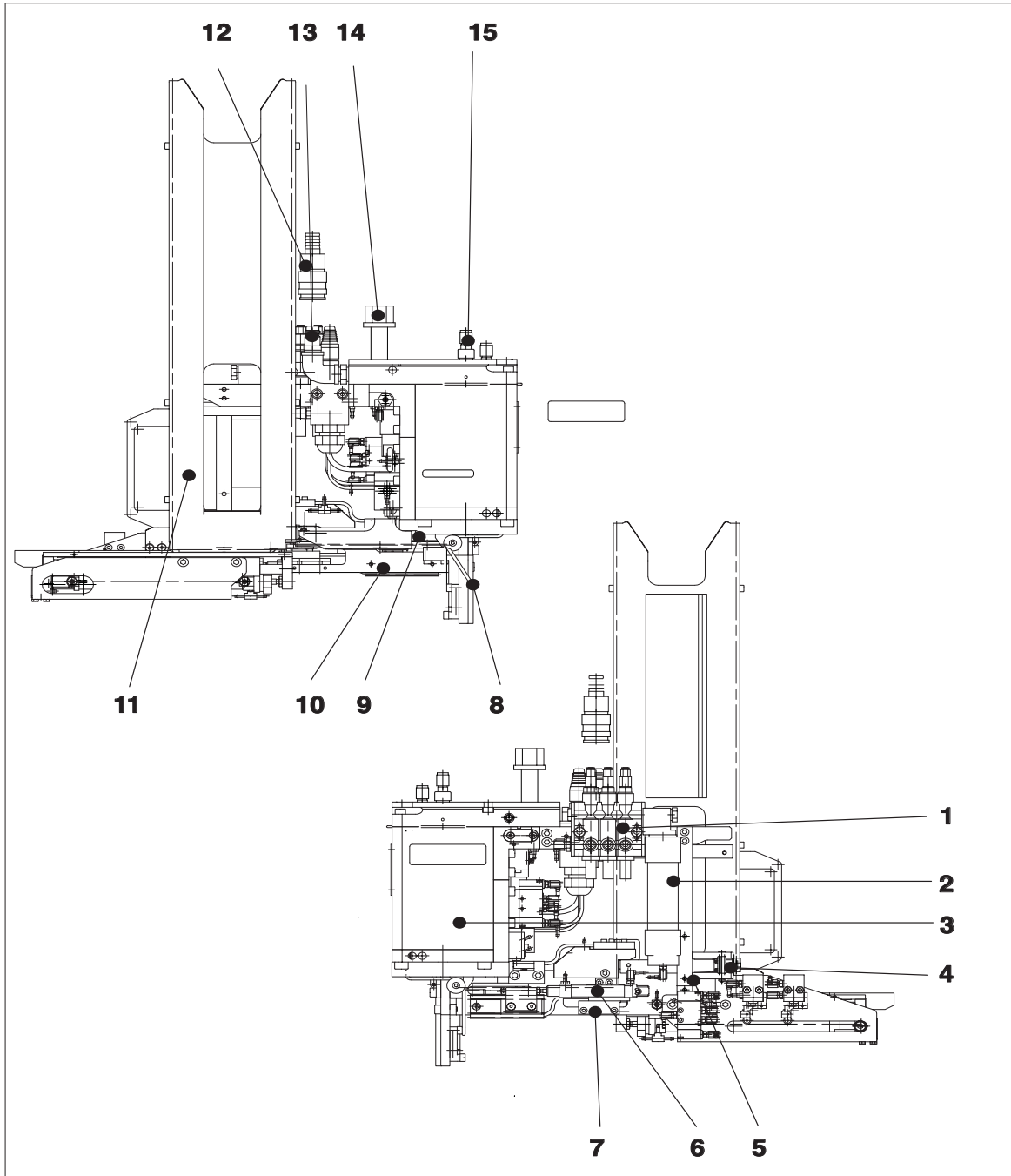


Image 1.3/1/1: Machine Elements

Position	Description
1	Lubrication means
2	Grease container
3	Issue head
4	Nipple magazine
5	Staple magazine
6	Feed cylinder
7	Driver monitoring
8	Staple guide flap

Position	Description
9	Release stapling head magazine
10	Stapling head magazine
11	Quick change magazine
12	Locking nipple magazine
13	Connector
14	Receiving pins
15	Connections

SECURITY ADVICES

2 Security Advices

2.1 Utilized symbols

GB



Danger

Non-compliance with this warning will result in death or serious injury.



Warning

Non-compliance with this warning will result in slight injuries or heavy material damage.



Caution

Non-compliance with this warning can result in light material damage.



Ear protection

Wear ear protection.



Eye protection

Wear eye protection.

2.2 Possible threats

When operating the SHLS80-N these are potential risks caused by:

- Free-flying slide on fasteners and / or work splitting
- Moving parts and pneumatic cylinders (crushing)
- High noise

2.3 Further information on workplace safety



Ear protection

When working with the SHLS80-N wear ear protection.



Eye protection

When working with the SHLS80-N wear eye protection.

- Only use a completely assembled and intact tool and do not change or modify the tools.
- Immediately disconnect defective or faulty tools from the compressed air supply and hand over the tool for inspection by authorized personnel.
- Unplug the unit during all maintenance and adjustments from the air supply.
- Make sure the maximum operating pressure is not exceeded.
- Never reach into the operational system.
- Avoid weakening and damage to the device, such as by
 - Hammering or engraving
 - Unauthorized modification measures
 - Cause the device to templates of hard material (e.g. steel)
 - Any other form of violence
- Repair work may only be carried out by personnel authorized by the manufacturer or other competent professionals using original Senco spare parts.

2.4 Noise

Noise measurement acc. EN 292, Part 2, methods of measurement according to DIN IEC804

Noise: $L_{pAeq} = 95 \text{ dB (A)}$

The noise characteristic value is system-related and may vary during use. This depends on the environment, the work piece, the number of driving down processes u.A.



Info

We recommend doing an adequate sound attenuation of the integrated system.

INSTALLATION/CONNECTION

3 Installation/Connection

3.1 Installation instructions

Please note the installation of the SHLS80-N following installation guidelines:

- Attach the unit to the receiving pins (14).
- The minimum distance between two systems in row major order must be at least 100 mm (measuring point system in the middle).
- N21 must clamp size from the minimum distance be increased according to the magazine width.
- The distance of the staple guide the workpiece during stapling operation must be at least 3 mm. We recommend a height-adjustable mounting of the system.

GB

3.2 Compressed air connection



Explosion hazard

The use of oxygen or other flammable gases as energy sources is strictly prohibited
Explosion hazard!

The connection to the compressed air network is via an air hose with quick coupling (enclosed). The non-closing nipple should be positioned so that the system the releasing of the connection is immediate pressure. Please note when connecting to the compressed air system the following points:

- The compressor (compressor) must have sufficient power (min 2000 l /).
- The supplied air must not exceed the max. allowable operating pressure (8.3 bar) for not more than 10% exceed.
- Install in the compressed air supply line, a pressure regulator and a shutoff valve.
- Use only filtered, lightly oiled compressed air for operation of the High Load tool.

Run the electrical and pneumatic connections according to plan by.



Info

The trigger pulses must be at least 0.05 s rest.

OPERATING

4 Operating

4.1 Filling the quick change magazine



Info

We recommend the filling of the quick-change magazine (11) only during breaks or at standstill to download the apparatus or production line.

Place the clamp rods lying with the leg opening to the open side of the Quick-change magazine, from the top.

4.2 Filling of the central lubrication system

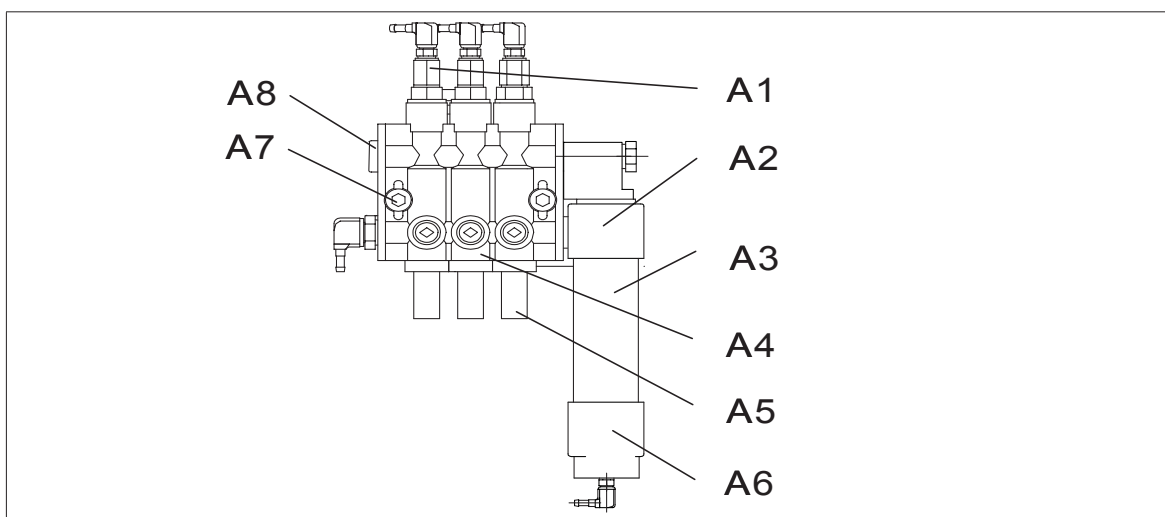


Image 4.2/1: Central lubrication system



Info

The lubrication system for lubricating the cylinder liner must be vented after filling (see Section 4.2.1)

GB

Populate the central lubrication system through the following steps:

1. Remove the two screws (A7) and pull the central lubrication system (A4) complete with the empty grease tray (A3) of the holder (A6) out.
2. Pull the gun body (A3) from the threaded cap (A2).
3. Plug the adapter (Item 5 in Figure 12.7 / 1) on the gun body.
4. Fill in grease, until the piston reaches the bottom.
5. Install the grease container in reverse order.
6. Tighten the screws (A7) again. Making sure that the you check the O-rings and Cylinder for damage. Replace O-rings damaged immediately.

The lubrication system is thus ready for use.

4.2.1 Venting of lubrication system

If an air pocket in the central lubrication system (eg by padding) came, it must be vented. Follow these steps by:

1. Remove the two screws (A7).
2. Loosen the bleed screw (A8).
3. Promote grease while manually (by pressing the lever valve, item 12 in picture 12.6.1 / 1, p. 19), up from the vent screw only grease bubbles come out.
4. Close the vent.
5. Tighten the two screws (A7) fixed.
6. Install the central lubrication.

5 Troubleshooting



Risk

Unplug the unit always from the air supply before execution of the work described below.

5.1 Jamming on head remedy

Remove deadlocks on head through the following steps

1. Please remove the springs of the staple guide flap (8) to the outside.
2. Open the staple guide flap.
3. Remove the jammed staple with a suitable tool.
4. Close the staple guide flap.
5. Secure the bracket with the guide valve springs.

If the deadlock is not eliminated completely, the stapling head magazine should be emptied (see Section 5.2).

5.2 Emptying the stapling head magazine

Empty the magazine issue head through the following steps:

1. Press the release of the stapling head magazine (10).
2. Slide the magazine located in the stitching head clamps with a suitable Tool (e.g. a small screwdriver) to the back of the stitching head out the magazine.
3. Inflate the issue head magazine with compressed air.
4. The stapling head magazine can now be loaded.



Attention

If a failure or malfunction cannot be resolved, please give the equipment to a qualified person who can carry out the repair.

6 Remodeling



Danger

Unplug the unit before execution of the work described below.

6.1 Convert to other types of staples

The High Load SHLS80-N can be used for processing different types of clips (Section 1.2, "Technical Data") will be upgraded.

Follow these steps by:

1. Disconnect the device from the air supply.
2. Unlock and remove the quick-change magazine.
3. Drain, if necessary, the stitching head magazine (see Section 5.2).
4. Attach the quick-change magazine (11) for the desired clamp size.
5. Remove for lengths from 50 mm adapter on the staple guide (see Section 6.2).
6. Fill the magazine with quick clamp bars of desired size.

6.2 Removing the clamp guide adapter

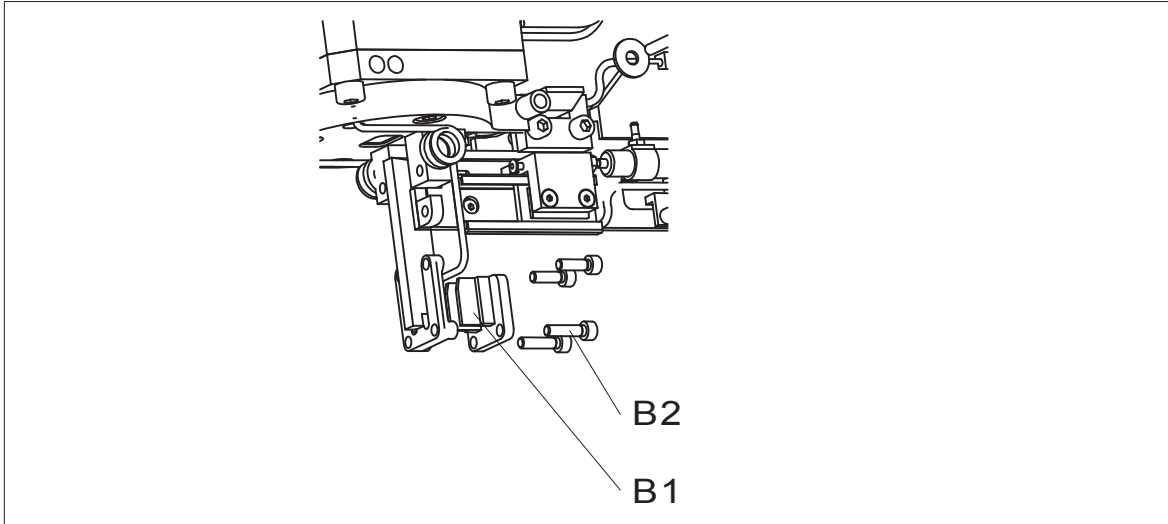


Image 4.3.2/1: Removing the clamp guide adapter

For removing the clamp guide adapter to solve parentheses following work steps:

1. Make sure that the unit is separated from the air supply.
2. Loosen the screws (B2).
3. Pull the adapter (B1).
4. Tighten the screws (B2) again.

7 Maintenance

Comply with the listed maintenance intervals to ensure continuous faultless operation. Disconnect the compressed air supply during every maintenance.

Weekly	<ul style="list-style-type: none"> • Clean the tool with compressed air. • Lightly grease the movable parts. • Check the tool for leaks, damages, completeness of all parts and tightness of all screws.
--------	---

8 Repairs

Repairs may only be carried out by personnel authorized by the manufacturer or other competent professionals using original Senco spare parts.

9 Warranty

The device was developed and manufactured in accordance with the latest technical knowledge. We provide the initial purchaser with a warranty according to statutory requirements for function, materials, and processing. Normal wear and tear is excluded.

The warranty ends if improper treatment, use of force, repairs by third parties, or the installation of non-original replacement parts is evident.

The warranty covers repair or replacement at our discretion. A warranty extending beyond the scope of delivery is precluded, since proper and expert use of the device is outside our control.

Please note our terms of business!

10 Disposal



Take the device, packaging, and accessories to an environmentally friendly recycling centre (in accordance with European Parliament and Council Directive 2002/96/EC of January 27, 2003).

CONNECTION AND FUNCTION DIAGRAMS

11 Connection and function diagrams

11.1 Pneumatic Plan

GB

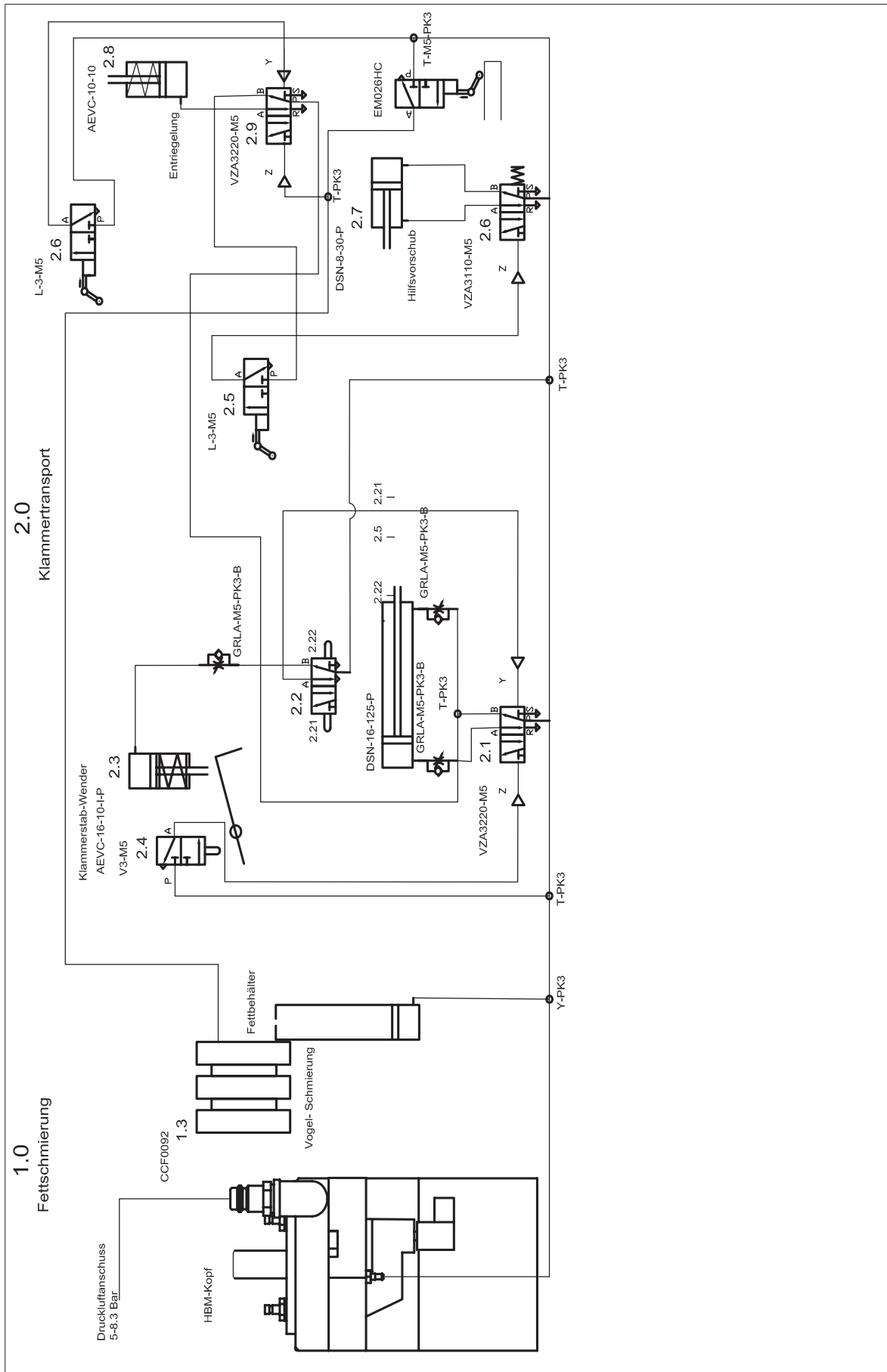


Image 11.1/1: Pneumatic Plan

11.2 Electric plan

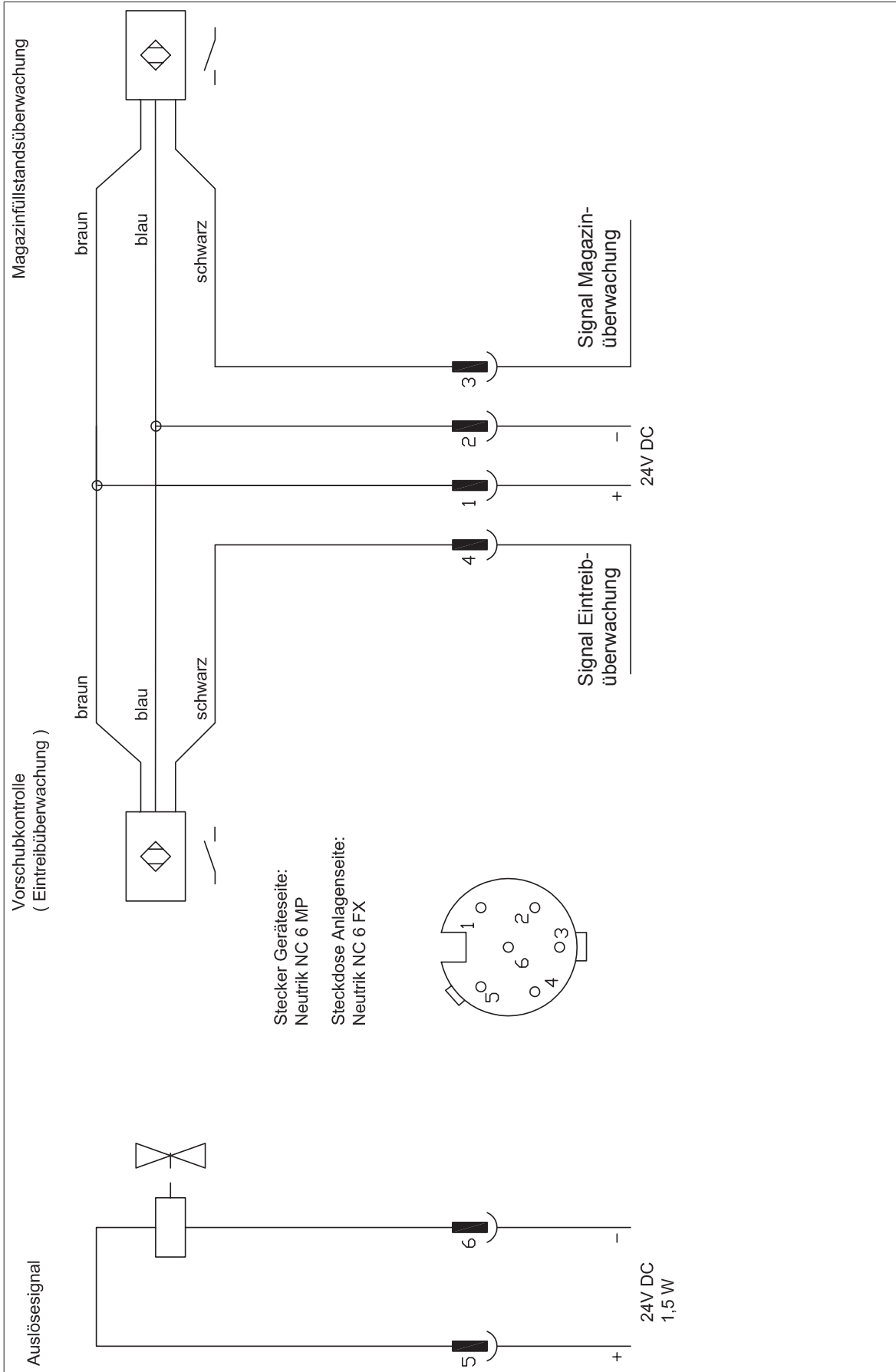


Image 11.2/1: Electric plan

SPARE PARTS LISTS

12 Spare parts lists
12.1 Staple machines

GB

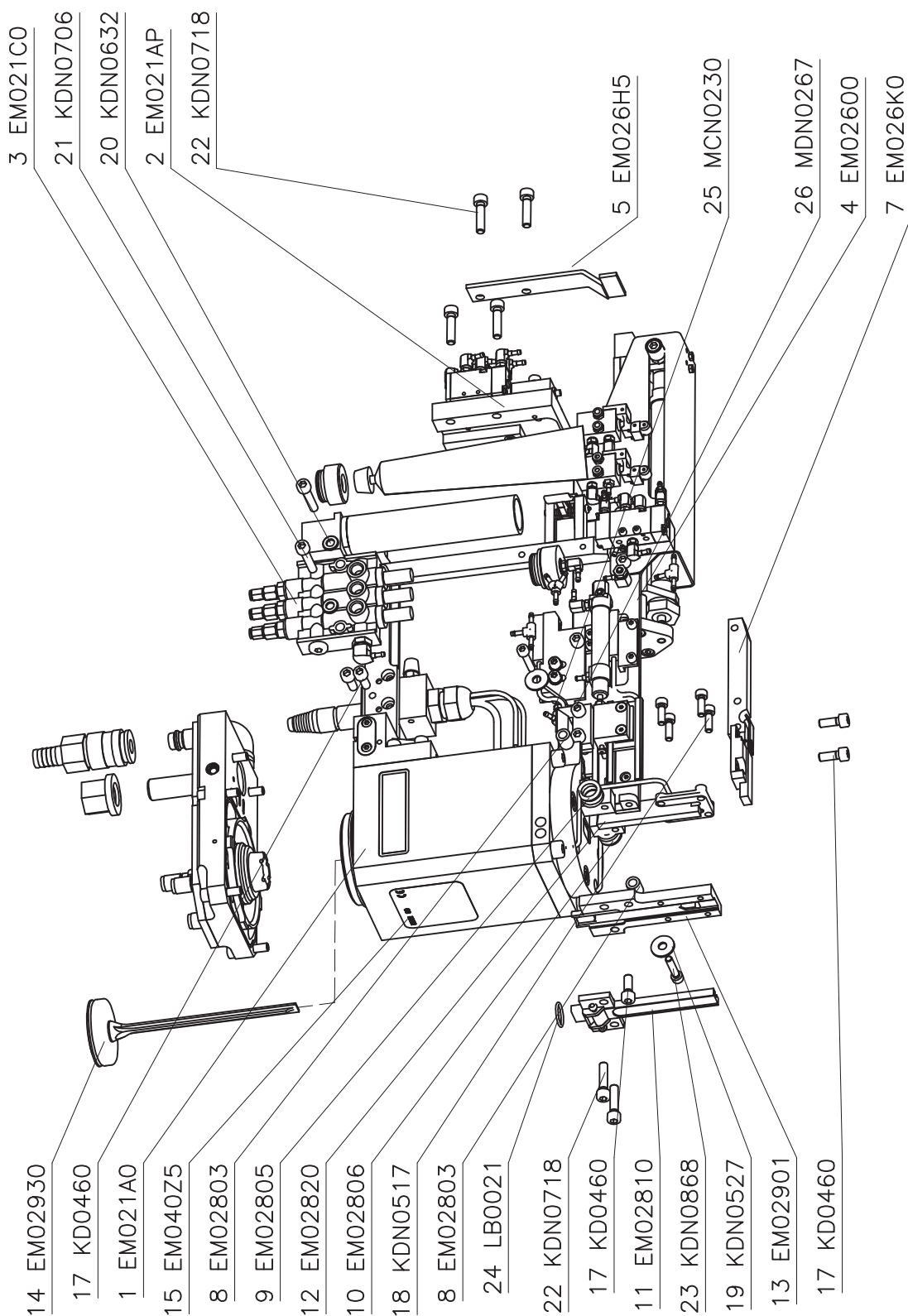


Image 12.1/1: Stapler machines

12.1 Spare parts list Stapler machines

Position	Order number	Number	Description
1	EM021A0	1	SHLS80 Head
2	EM021AP	1	Exhaust cover
3	EM021C0	1	Grease/Lubercation
4	EM02600	1	Feed unit
5	EM026H5	1	Stop
6	EM026HC	1	Lever valve
7	EM026K0	1	Carrier Complete N
8	EM02803	2	2 Sockets
9	EM02805	1	Leg spring
10	EM02806	1	Leg spring
11	EM02810	1	Front door
12	EM02820	1	Staple carrier
13	EM02901	1	Clip guider
14	EM02930	1	Piston driver
15	EM040Z5	1	Sticker
16	KD0042	2	Screw
17	KD0460	5	Screw
18	KDN0517	4	Screw
19	KDN0527	2	Washer DIN9021
20	KDN0632	2	U-Disk
21	KDN0706	2	Screw
22	KDN0718	6	Screw
23	KDN0868	2	Screw
24	LB0021	1	O-Ring
25	MCN0230	1	Plug nippel, compression fittings
26	MDN0267	1	Barbed fitting, compression fittings

GB

12.2 SHLS80-N Head

GB

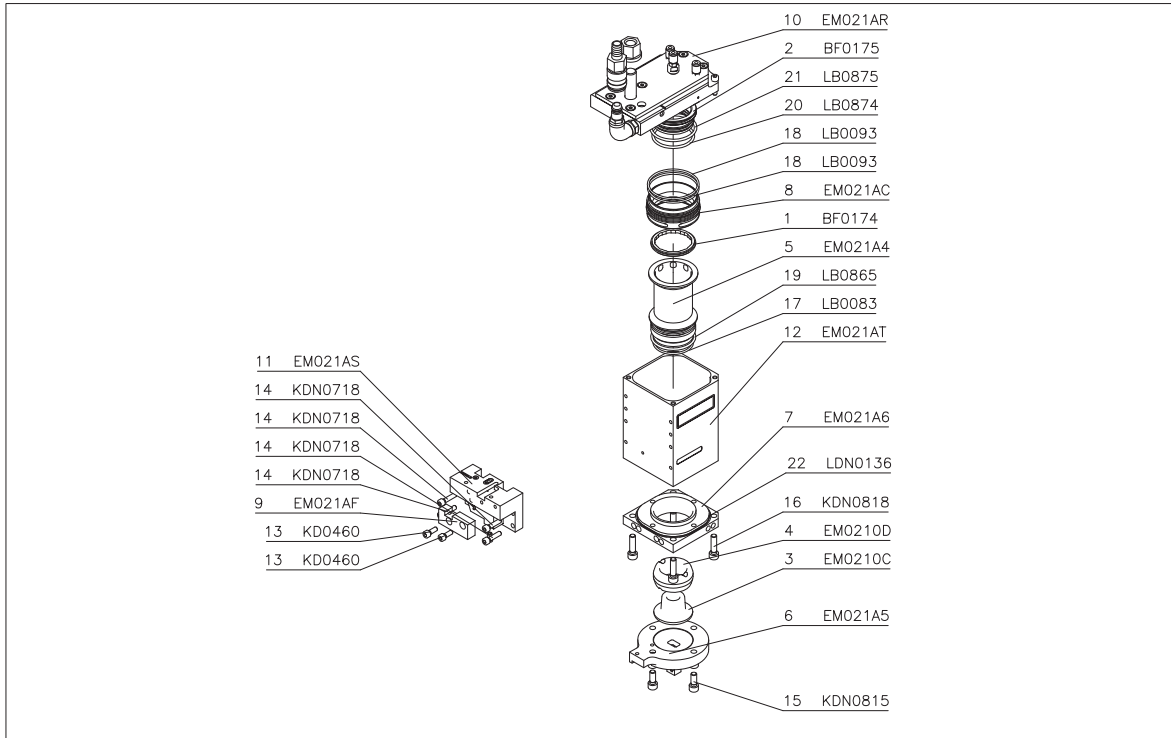
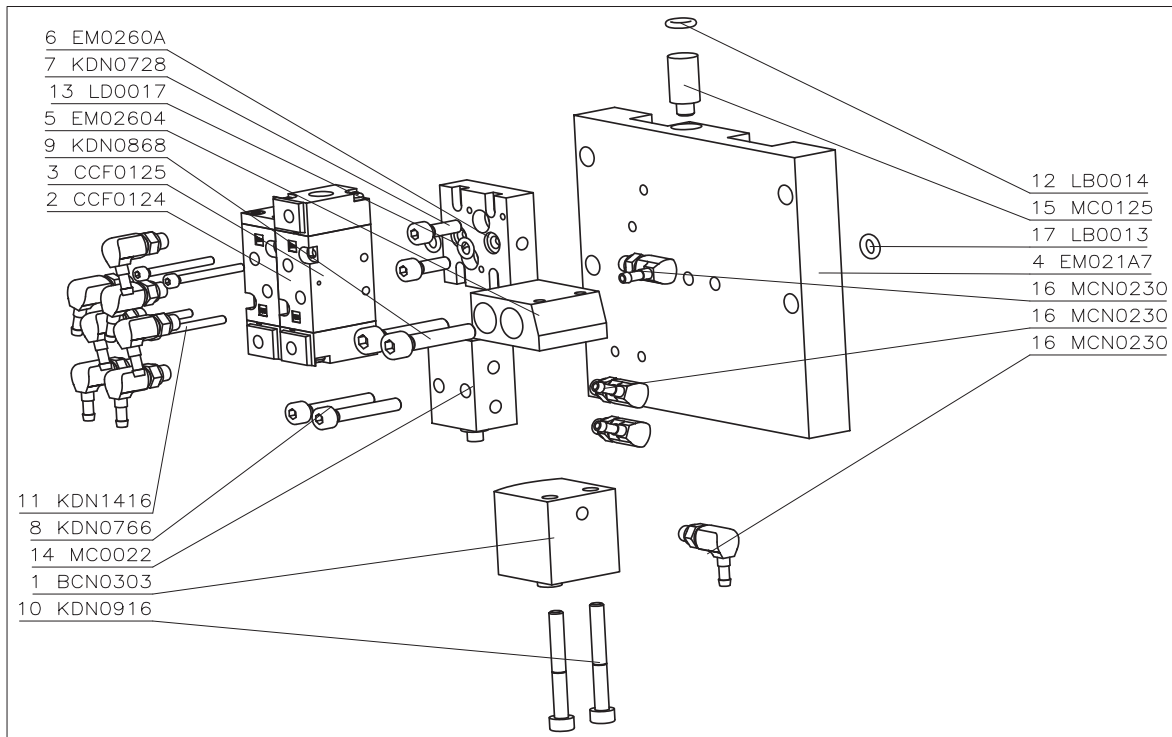


Image 12.2/1: Head

Spare parts list Head

Position	Order number	Number	Description
1	BF0174	1	Seal
2	BF0175	1	Valve
3	EM0210C	1	Buffer 1
4	EM0210D	1	Buffer 2
5	EM021A4	1	Cylinder bush
6	EM021A5	1	Flange
7	EM021A6	1	Wafer flange
8	EM021AC	1	Valve ring
9	EM021AF	1	Support
10	EM021AR	1	Cover assembly
11	EM021AS	1	Valve assembly
12	EM021AT	1	Housing assembly
13	KD0460	2	Screw
14	KDN0718	4	Screw
15	KDN0815	4	Screw
16	KDN0818	4	Screw
17	LB0083	1	O-ring
18	LB0093	2	O-ring
19	LB0865	1	O-ring
20	LB0874	1	O-ring
21	LB0875	1	O-ring
22	LDN0136	1	O-ring

12.3 Exhaust cover (complete)



GB

Image 12.3/1: Exhaust cover (complete)

Spare parts list Exhaust cover (complete)

Position	Order number	Number	Description
1	BCN0303	1	Cylinder
2	CCF0124	1	Valve 5/2 M5
3	CCF0125	1	Valve 5/2 M5
4	EM021A7	1	Exhaust cover
5	EM02604	1	Holder
6	EM0260A	1	Plate
7	KDN0728	2	Screw
8	KDN0766	2	Screw
9	KDN0868	2	Screw
10	KDN0916	2	Screw
11	KDN1416	4	Screw
12	LB0014	1	O-Ring
13	LD0017	2	O-Ring
14	MC0022	1	Micro valve V3-M5
15	MC0125	1	Silencer
16	MCN0230	11	Plug nipple, compression fittings
17	LB0013	1	O-Ring

12.4 Cover assembly

GB

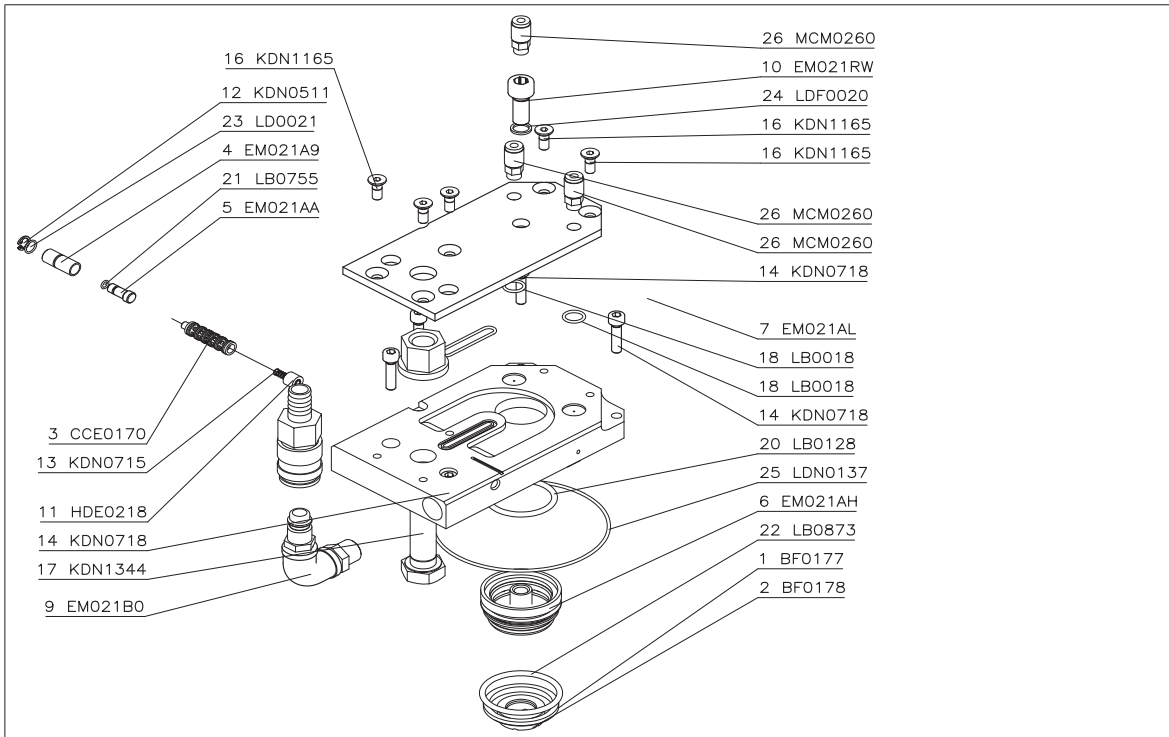
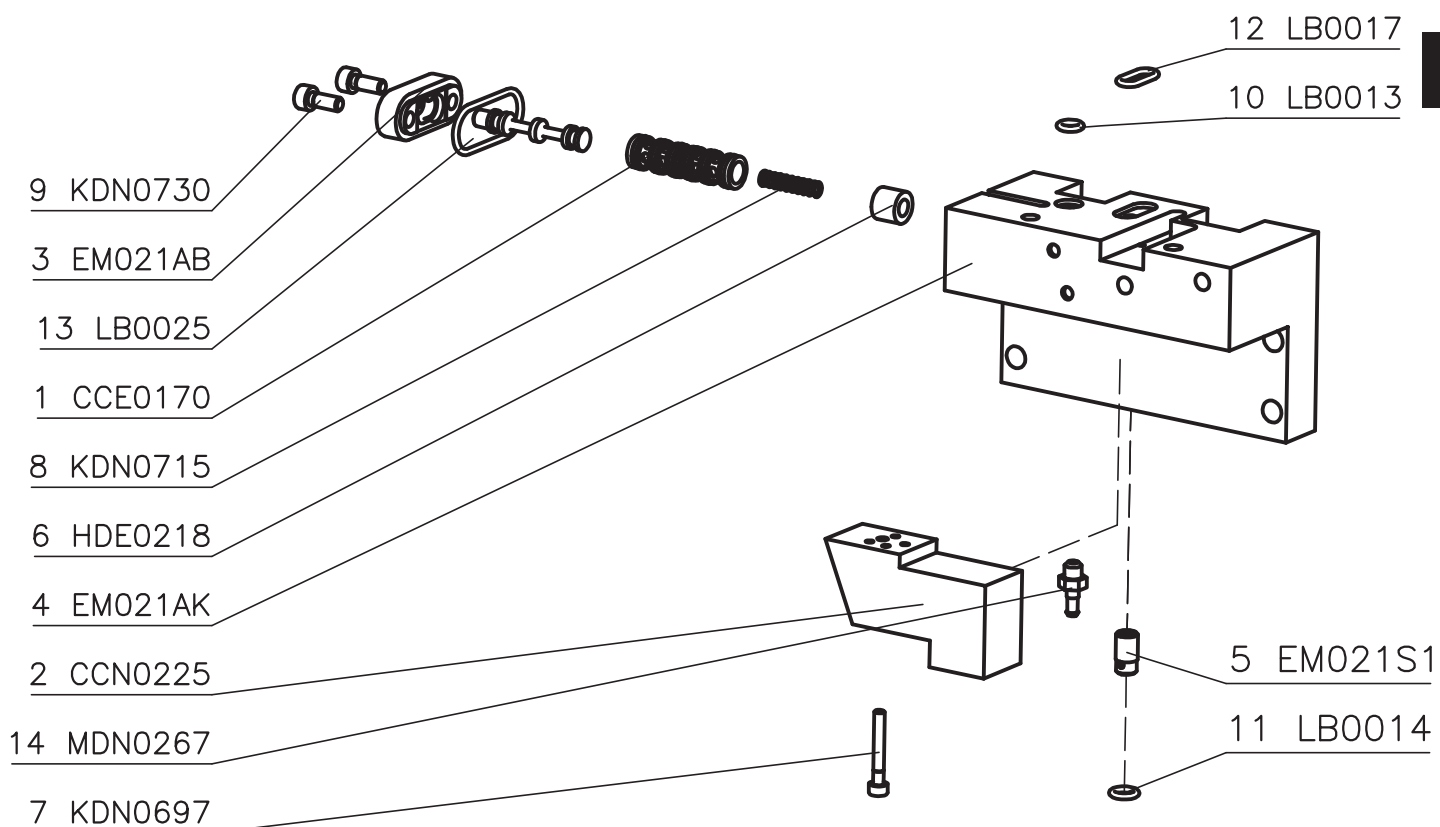


Image 12.4/1: Cover assembly

Spare parts list Cover Assembly

Position	Order number	Number	Description
1	BF0177	1	Seal
2	BF0178	1	Buffer
3	CCE0170	1	Steel gate valve
4	EM021A9	1	Female
5	EM021AA	1	Pen
6	EM021AH	1	Valve
7	EM021AL	1	Cover assembly
8	EM021AN	1	Plate 80
9	EM021B0	1	Air connection
10	EM021RW	1	Terminal screw
11	HDE0218	1	Female
12	KDN0511	1	Circlip
13	KDN0715	1	Pressure spring
14	KDN0718	5	Screw
15	KDN0991	1	Nut M-16
16	KDN1165	5	Screw
17	KDN1344	1	Screw
18	LB0018	2	O-Ring
19	LB0030	1	O-Ring
20	LB0128	1	O-Ring
21	LB0755	1	O-Ring
22	LB0873	1	O-Ring
23	LD0021	1	O-Ring
24	LDF0020	1	Seal
25	LDN0137	1	O-Ring
26	MCM0260	3	Check valve

12.5 Valve assembly



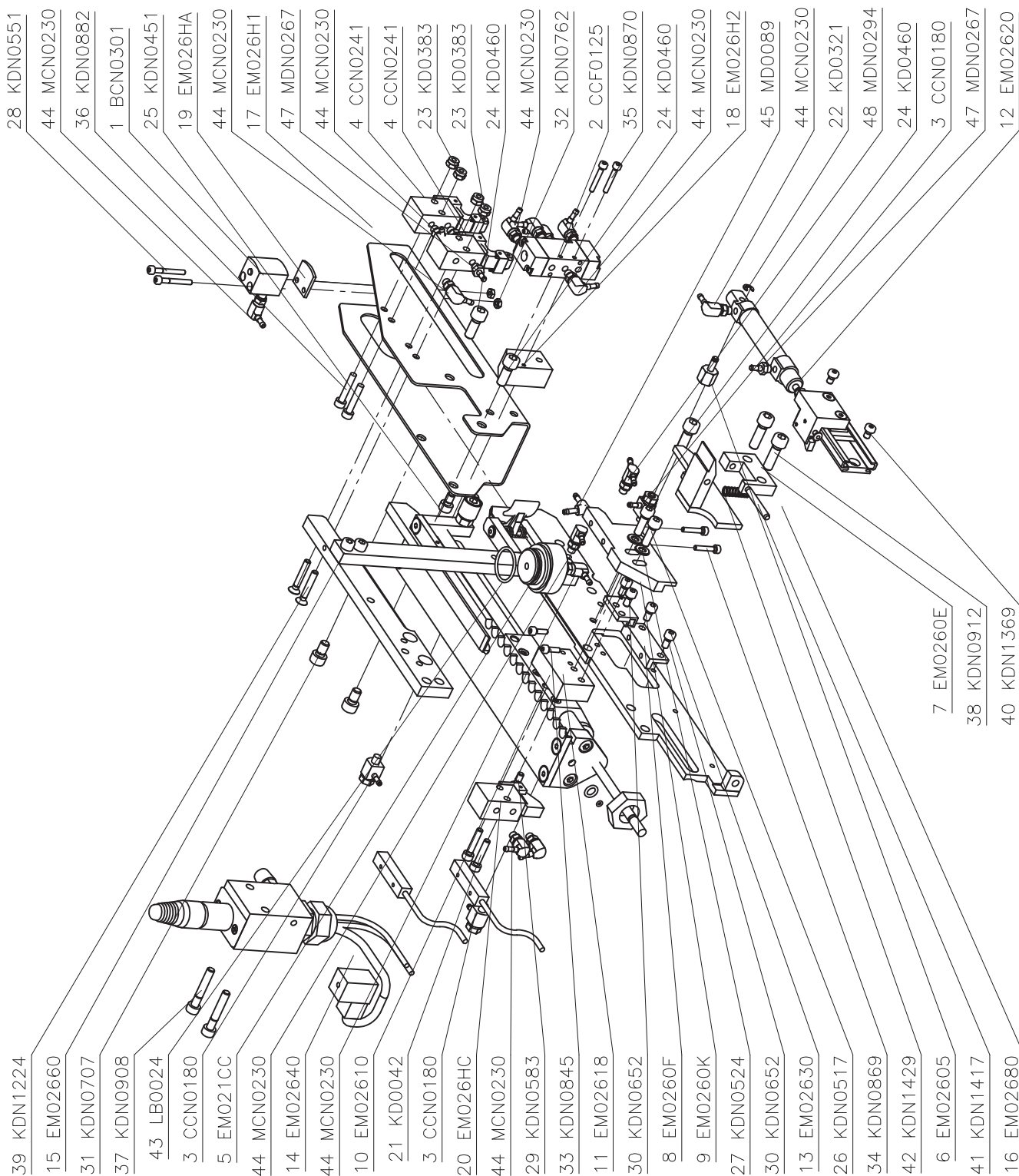
GB

Spare parts list Valve assembly

Position	Order number	Number	Description
1	CCE0170	1	Steel gate
2	CCN0225	1	Magnet valve
3	EM021AB	1	Cap
4	EM021AK	1	Valve body assembly
5	EM021S1	1	Valve pin
6	HDE0218	1	Female
7	KDN0697	1	Screw
8	KDN0715	1	Spring
9	KDN0730	2	Screw
10	LB0013	1	O-ring
11	LB0014	1	O-ring
12	LB0017	1	O-ring
13	LB0025	1	O-ring
14	MDN0267	1	Plugs

12.6 Feed
12.6.1 Feed unit SHLS80-N

GB

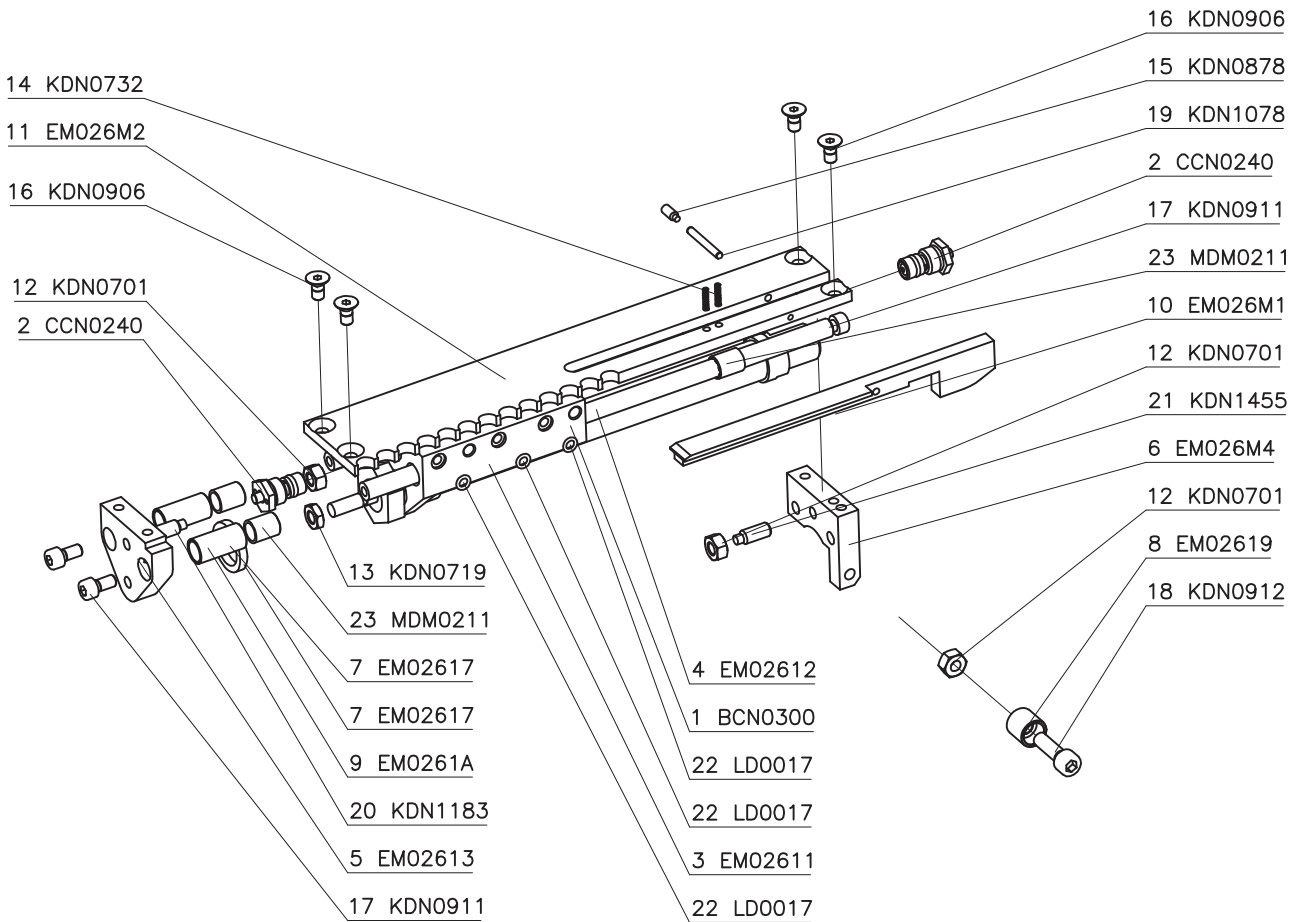


12.6.1 Spare parts list Feed unit SHLS80-N

Position	Order number	Number	Description
1	BCN0301	1	Cyclinder
2	CCF0125	1	Valve 5/2 M5
3	CCN0180	3	Throttle check valve
4	CCN0241	2	Idle return roller valve
5	EM021CC	1	Holder
6	EM02605	1	Axcel
7	EM0260E	1	Holder
8	EM0260F	1	Angle
9	EM0260K	1	Stop
10	EM02610	1	Bar feed
11	EM02618	1	Intermediate
12	EM02620	1	Feed bar
13	EM02630	1	Stop
14	EM02640	1	Plug KPL
15	EM02660	1	Main carrier
16	EM02680	1	Rotating pieces
17	EM026H1	1	Sheet
18	EM026H2	1	Holder
19	EM026HA	1	Distance plate
20	EM026HC	1	Lever valve
21	KD0042	2	Screw
22	KD0321	1	Washer
23	KD0383	4	Hex Nut
24	KD0460	3	Screw
25	KDN0451	2	Screw
26	KDN0517	2	Screw
27	KDN0524	2	Washer
28	KDN0551	2	Screw
29	KDN0583	1	Screw
30	KDN0652	4	Screw
31	KDN0707	2	Screw
32	KDN0762	2	6KT Mother
33	KDN0845	2	Cyclinder Screw
34	KDN0869	2	Cyclinder Screw
35	KDN0870	2	Screw
36	KDN0882	2	Screw
37	KDN0908	2	Screw
38	KDN0912	2	Screw
39	KDN1224	2	Screw
40	KDN1369	2	Screw
41	KDN1417	1	Cylindracal pin
42	KDN1429	1	Pressure spring
43	LB0024	1	O-Ring
44	MCN0230	14	Nipple compression fitting
45	MD0089	1	Hose connection

12.6.2 Bar feed system

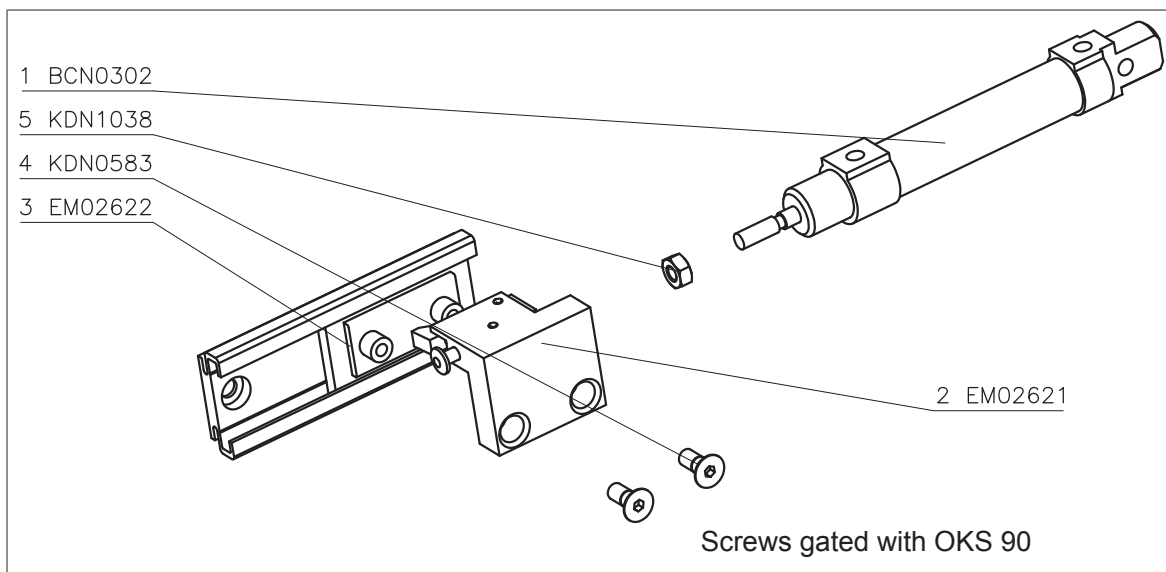
GB



Spare parts list Bar feed system

Position	Order number	Number	Description
1	BCN0300	1	Cyclinder
2	CCN0240	2	Seat vent
3	EM02611	1	Housing
4	EM02612	2	Rod
5	EM02613	1	Plate 1
6	EM026M4	1	Plate 2
7	EM02617	1	Washer
8	EM02619	1	Female
9	EM0261A	2	Female
10	EM026M1	1	Shear property
11	EM026M2	1	Grid Plate
12	KDN0701	3	Mother
13	KDN0719	1	Hex nut
14	KDN0732	2	Pressure spring
15	KDN0878	1	Barbed pin
16	KDN0906	4	Screw
17	KDN0911	4	Cyclinder screw
18	KDN0912	1	Screw
19	KDN1078	1	Cyclinder pin
20	KDN1183	1	Treaded pin
21	KDN1455	1	Treaded pin
22	LD0017	3	O-Ring
23	MDM0211	4	Four clinching

12.6.3 Bar feed 2



GB

Image 12.6.2/1: Bar feed 2

Spare parts list Bar feeds

Position	Order number	Number	Description
1	BCN0302	1	Cylinder double knitting
2	EM02621	1	Slide
3	EM02622	1	Plain bearing
4	KDN0583	2	Screw
5	KDN1038	1	Hex Nut

12.7 Grease and lubrication

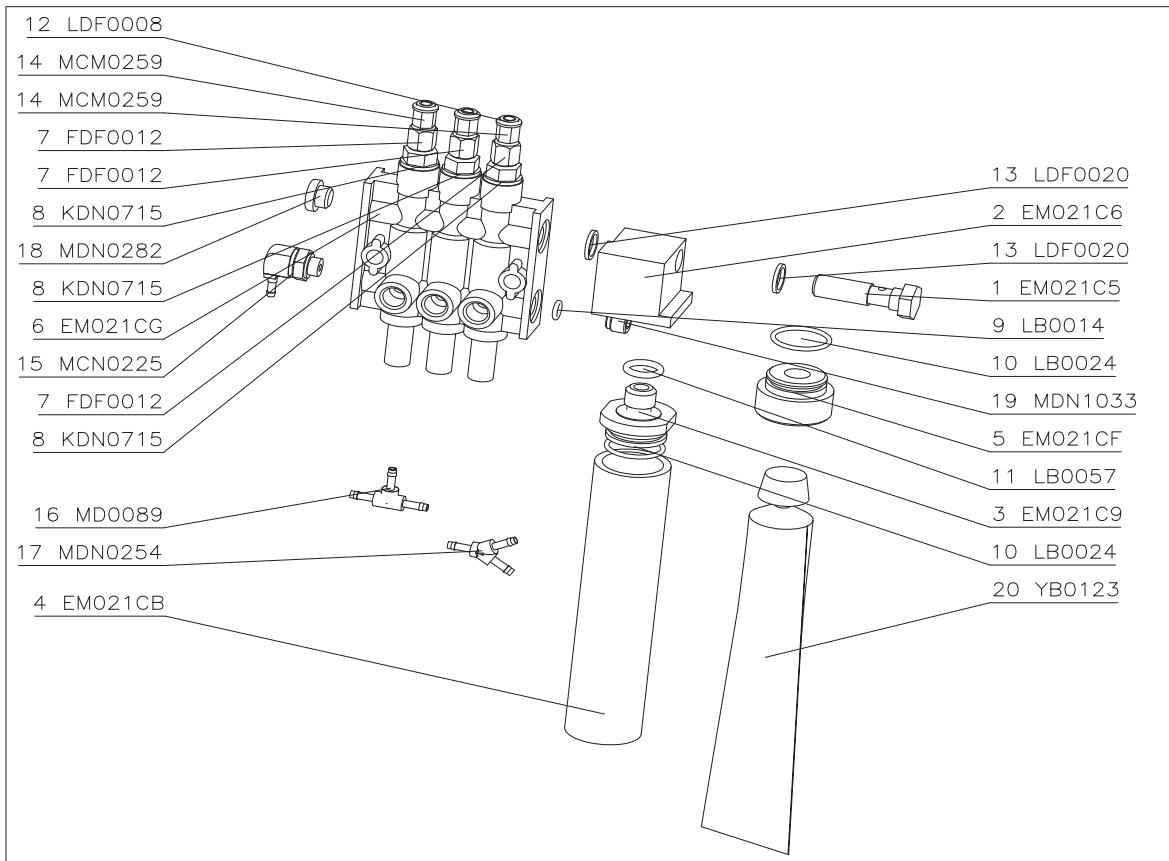


Image 12.7.1: Grease and lubrication

Spare parts list Grease and lubrication

Position	Order number	Number	Description
1	EM021C5	1	Hollow screw
2	EM021C6	1	Piece ring
3	EM021C9	1	Cap
4	EM021CB	1	Grease tank
5	EM021CF	1	Filling adapter
6	EM021CG	1	Grease quantity dispenser
7	FDF0012	3	Reducing
8	KDN0715	3	Spring
9	LB0014	1	O-Ring
10	LB0024	2	O-Ring
11	LB0057	1	O-Ring
12	LDF0008	3	Seal DN-6
13	LDF0020	2	Seal
14	MCM0259	3	Push
15	MCN0225	1	L-Plug nipple
16	MD0089	1	T Hose connection
17	MDN0254	1	Y-Hose connection
18	MDN0282	1	Plug
19	MDN1033	1	Plug
20	YB0123	1	O-Ring
21	MDN0257	1	Hose

12.8 Slide

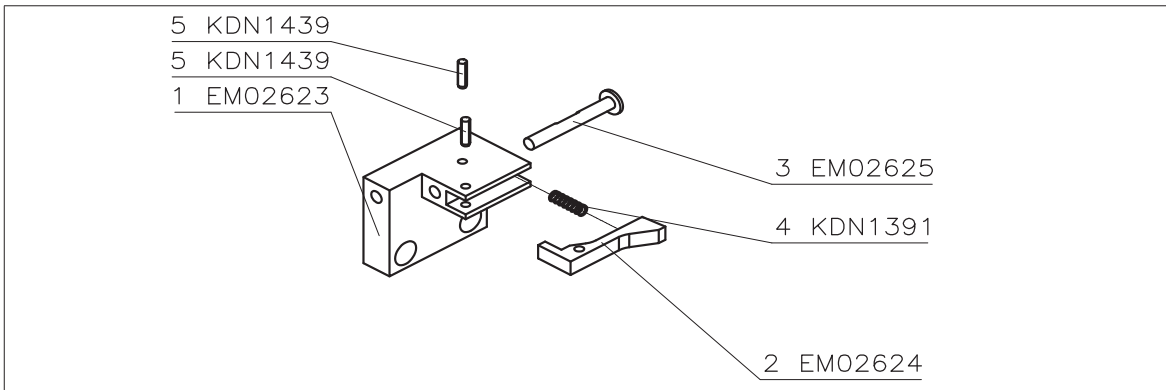


Image 12.8/1: Slide

Spare parts list Slide

Position	Order number	Number	Description
1	EM02623	1	Stop
2	EM02624	1	Hook
3	EM02625	1	Pen
4	KDN1391	1	Pressure spring
5	KDN1439	2	Rivet

12.9 Stop

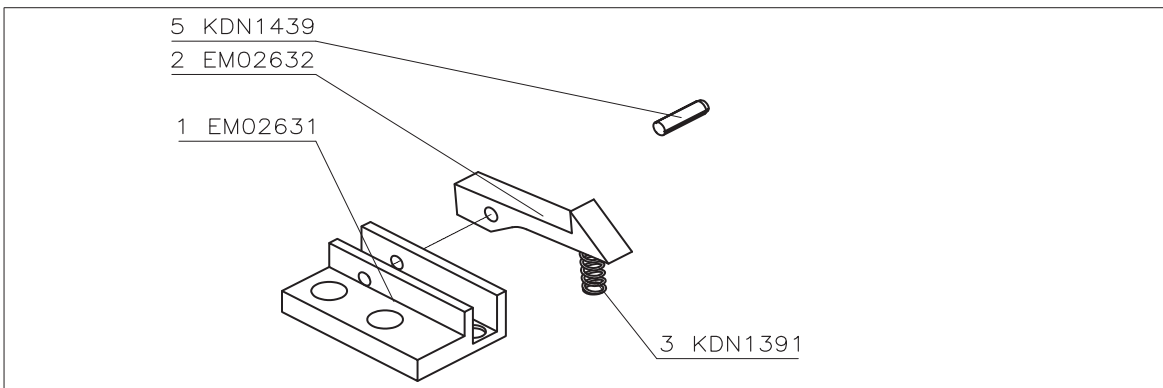


Image 12.9/1: Stop

Spare parts list Stop

Position	Order number	Number	Description
1	EM02631	1	Housing
2	EM02632	1	Hook
3	KDN1391	1	Pressure spring
5	KDN1439	1	Pin Notch

12.10 Main carrier

GB

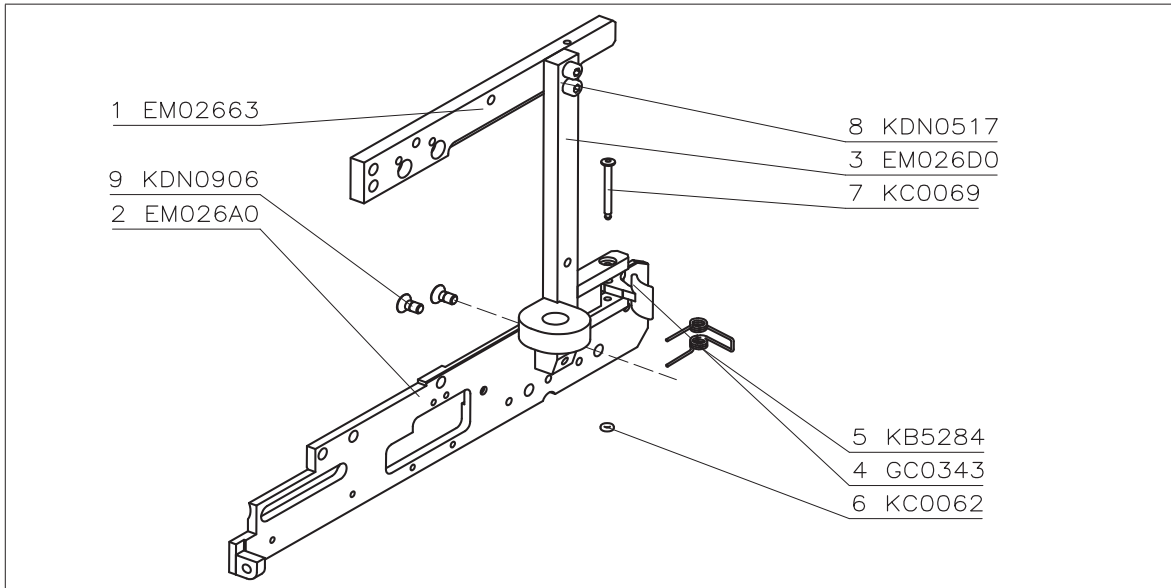


Image 12.10/1: Main carrier

Spare parts list Main carrier

Position	Order number	Number	Description
1	EM02663	1	Plate
2	EM026A0	1	Carrier
3	EM026D0	1	Brace
4	GC0343	1	Top lever
5	KB5284	1	Spring
6	KC0062	1	Circlip
7	KC0069	1	Pen
8	KDN0517	2	Screw
9	KDN0906	2	Screw

12.11 Front Flap

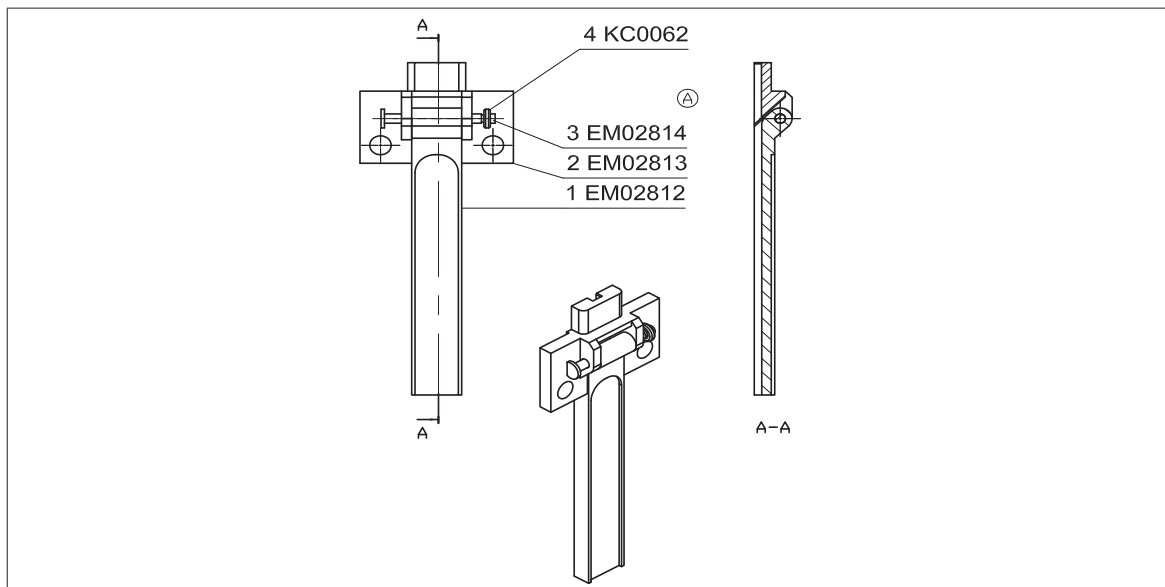


Image 12.11/1: Front flap

Spare parts list front flap

Position	Order number	Number	Description
1	EM02812	1	Flap
2	EM02813	1	Plate
3	EM02814	1	Pen
4	KC0062	1	Circlip

12.12 Clip Carrier

GB

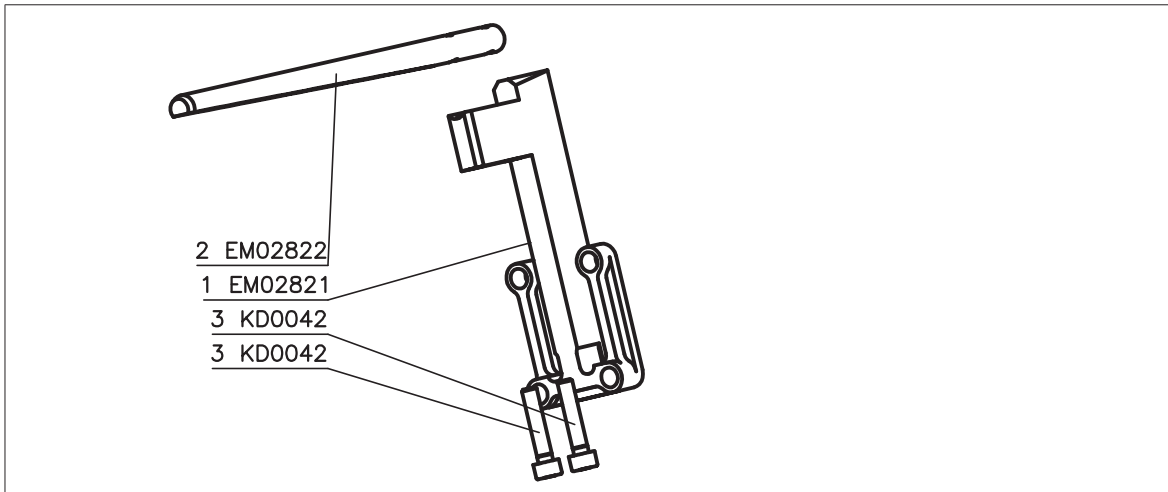


Image 12.12/1: Clip carrier

Spare parts list clip carrier

Position	Order number	Number	Description
1	EM02821	1	Sect block
2	EM02822	1	Stab
3	KD0042	2	Screw

12.13 Carrier (complete)

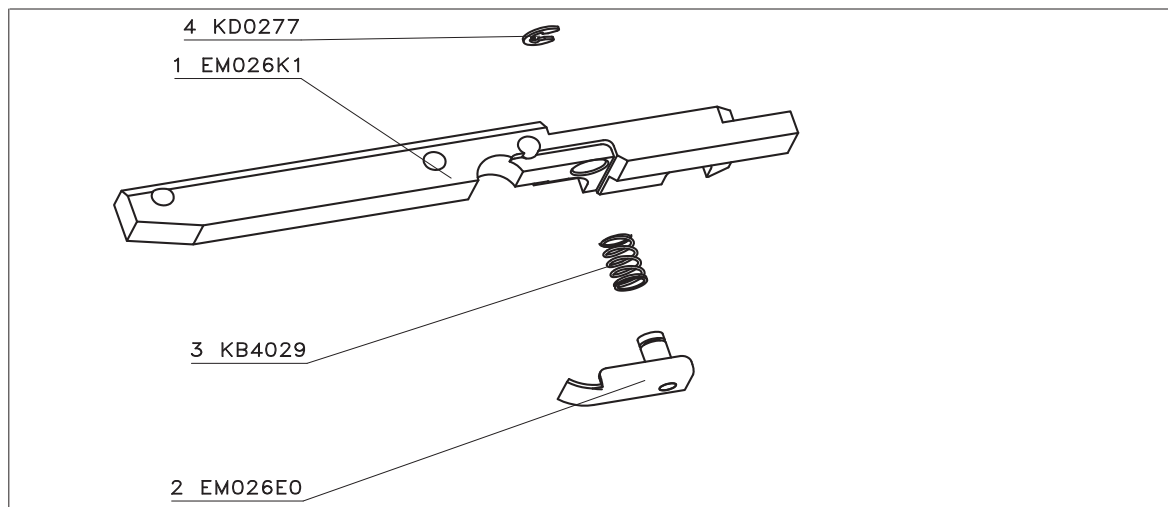


Image 12.13/1: Carrier (complete)

Spare parts list clip carrier

Position	Order number	Number	Description
1	EM026K1	1	Carrier N
2	EM026E0	1	Pressing tracker
3	KB4029	1	Pressure spring
4	KD0277	1	Washer

12.14 Connector

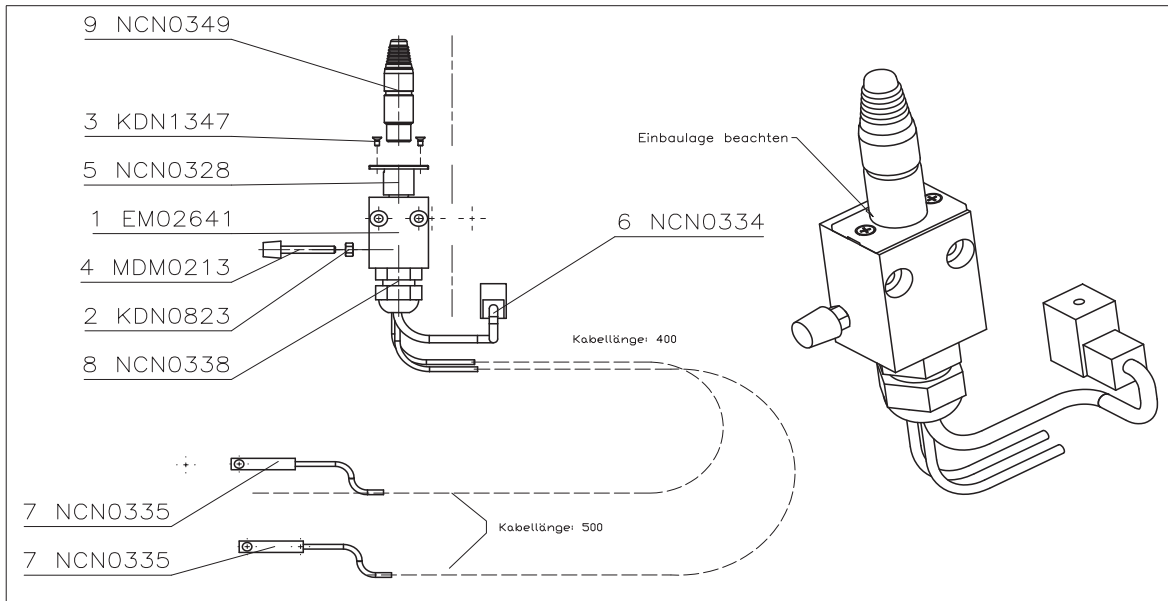


Image 12.14/1: Connector

Spare parts list connector

Position	Order number	Number	Description
1	EM02641	1	Housing
2	KDN0823	1	Nut
3	KDN1347	2	Screw
4	MDM0213	1	Pressure screw
5	NCN0328	1	Plug
6	NCN0334	1	Socket with cable
7	NCN0335	2	Proximity switches
8	NCN0338	1	Screw
9	NCN0349	1	Clutch
10	EM021P2	1	Switching plan

12.15 Compressed air supply

GB

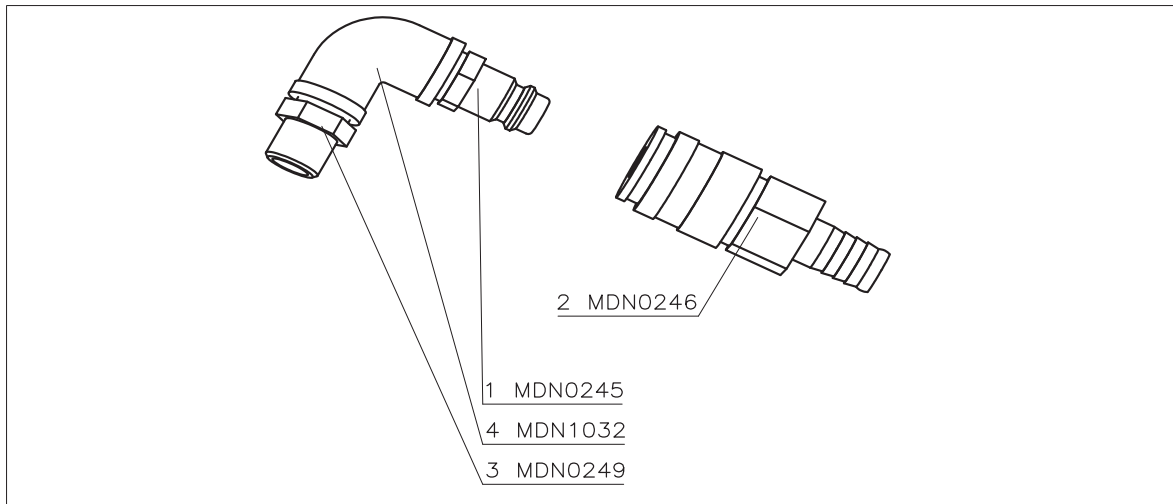


Image 12.15/1: Compressed air supply

Spare parts list compressed air supply

Position	Order number	Number	Description
1	MDN0245	1	Plug nipple
2	MDN0246	1	Hose coupling 13M
3	MDN0249	1	Double nipple
4	MDN1032	1	Angle piece

DECLARATION OF CONFORMITY

We Verpa Senco B.V.,
8218NJ Lelystad

declare under our sole responsibility that
High Load SHLS80
(EM04000, EM04100, EM04200, EM02900,
EM04300, EM04400, EM04500)
identified in this manual

to which this declaration relates is in con-
formity with the following standards or other
normative documents:

DIN EN ISO 12100 part 1+2
following the provisions
of Directives 98/37/EG

Fred van Gerven
Technical Manager

Lelystad, September 2013

INHALTSVERZEICHNIS

1 Allgemeines	30
1.1 Einsatzbereich	30
1.2 Technische Daten	30
1.3 Geräteelemente	31
2 Sicherheitshinweise	32
2.1 Verwendete Symbole	32
2.2 Mögliche Gefährdungen	32
2.3 Weitere Hinweise zur Arbeitssicherheit	32
2.4 Geräuschemission	32
3 Einbau/Anschluß	33
3.1 Einbauhinweise	33
3.2 Druckluftanschluß	33
4 Betrieb	33
4.1 Laden des Schnellwechselmagazins	33
4.2 Auffüllen der Zentralschmieranlage	33
4.2.1 Entlüften der Zentralschmieranlage	34
5 Störungsbeseitigung	34
5.1 Verklemmungen am Heftkopf beseitigen	34
5.2 Entleeren des Heftkopfmagazins	34
6 Umbauarbeiten	34
6.1 Umrüsten auf andere Klammertypen	34
6.2 Demontage des Klammerführungsadapters	35
7 Wartung	35
8 Reparatur	35
9 Gewährleistung	35
10 Entsorgung	35
11 Anschluß- und Funktionspläne	36
11.1 Pneumatikplan	36
11.2 Elektroplan	37
12 Ersatzteillisten	38
12.1 Maschinentacker	38
12.2 SHLS80-N Kopf	40
12.3 Abluftdeckel (komplett)	41
12.4 Deckelbaugruppe	42
12.5 Ventilbaugruppe	43
12.6 Vorschub	44
12.6.1 Stabvorschub 1	44
12.6.2 Stabvorschub 2	46
12.6.2 Stabvorschub 3	47
12.7 Fettschmierung	48
12.8 Schieber	49
12.9 Anschlag	49
12.10 Hauptträge	50
12.11 Frontklappe	51
12.12 Klammerträger	52
12.13 Träger (komplett)	52
12.14 Stecker (komplett)	53
12.15 Druckluftanschluß	54
Konformitätserklärung	54

ALLGEMEINES

1 Allgemeines

Bitte lesen Sie diese Betriebsanleitung sorgfältig und vollständig vor der ersten Inbetriebnahme des Großmagazins. Beachten Sie besonders die Sicherheitshinweise in Kapitel 2.

Diese Betriebsanleitung muß für jeden Anwender stets griffbereit sein.

1.1 Einsatzbereich

Das Großmagazin SHLS80-N ist ein Heftkopf mit automatischen Klammermagazin zum festen Einbau in Vorrichtungen oder Fertigungsstraßen, z.B. im Fertighausbau (bestimmungsgemäße Verwendung).

Das System ist keine selbständige Maschine und muß mit anderen Teilen zu einer Gesamtheit als Maschine verbunden werden. Die Sicherheit dieser Gesamtheit muß Gefährdungen ausschließen, die durch die Steuerung und den Betrieb des Systems entstehen.

Das System ist nicht für vertikale Taktbewegungen einsetzbar. Ein Absenken zur Positionierung ist jedoch möglich. Der Heftkopf (5) darf **nicht** ausgebaut und als tragbares Eintreibgerät verwendet werden. Verwenden Sie zu Ihrer Sicherheit **ausschließlich** die in den Technischen Daten aufgeführten Befestiger.

1.2 Technische Daten

Bezeichnung	Großmagazin SHLS80-N						
Bestell-Nr.:	EM04000	EM04100	EM04200	EM02900	EM04300	EM04400	EM04500
zu verarbeitende Befestiger:	SENCO-Klammern Typ						
	N13	N14	N17	N19	N21	N23	N25
Magazinkapazität ca.:	3080 Klammern						
Maße (L x B x H) [mm]:	475 x 100 x 613					475 x 110 x 613	475 x 115 x 613
Gewicht (ohne Klammern):	10...11 kg (je nach Klammertyp)						
Heftkopf:	Eintreibgerät SHLS80-N						
Steuerung:	pneumatische Ablaufsteuerung						
Druckluftanschluß:	12 mm Schlauchanschluß über Schlauchkupplung (Beipack)						
Anschluß Auslöseimpuls:	5-poliger Stecker (siehe Kap. 11.2)						
Erforderlicher Auslöseimpuls:	24 VDC/1,5 W (min.0,05 s)						
max. Betriebsdruck:	8,3 bar						
empf. Betriebsdruck:	5 bar	6 bar					
Heftzyklus:	max. 10 Klammern/s						
Druckluftverbrauch:	ca. 2.000 l/min bei 6 bar						

1.3 Geräteelemente

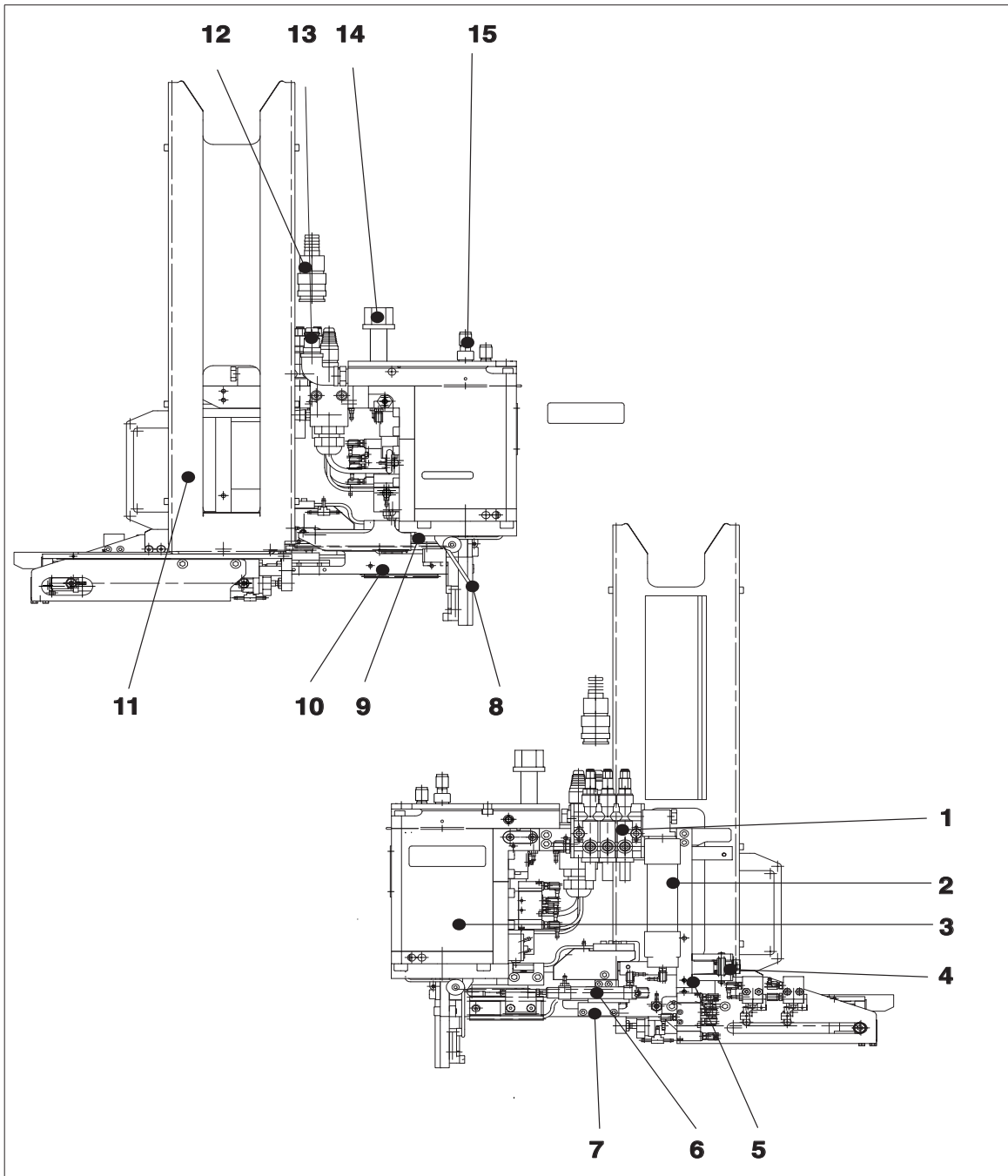


Bild 1.3/1/1: Geräteelemente

Pos.	Bezeichnung
1	Schmiereinrichtung
2	Fettbehälter
3	Heftkopf
4	Verriegelung Magazin
5	Klammermagazinüberwachung
6	Vorschubzylinder
7	Eintreibüberwachung
8	Klammerführungsclappe

Pos.	Bezeichnung
9	Entriegelung Heftkopfmagazin
10	Heftkopfmagazin
11	Schnellwechselmagazin
12	Stecknippel
13	Stecker
14	Aufnahmebolzen
15	Fettanschlüsse

SICHERHEITSHINWEISE

2 Sicherheitshinweise

2.1 Verwendete Symbole



Gefahr

Nichtbeachten dieses Warnhinweises kann zu schweren Verletzungen oder Tod führen.



Warnung

Nichtbeachten dieses Warnhinweises kann zu leichten Verletzungen oder schweren Sachschäden führen.



Vorsicht

Nichtbeachten dieses Warnhinweises kann zu leichtem Sachschaden führen.



Gehörschutz

Tragen Sie einen Gehörschutz.



Augenschutz

Tragen Sie einen Augenschutz.

2.2 Mögliche Gefährdungen

Bei Betrieb des Großmagazins SHLS80-N können Gefahren entstehen durch:
Abgleitende oder freifliegende Befestiger und/oder Werkstücksplitter
bewegliche Teile und pneumatische Zylinder (Quetschgefahr)
Hohe Geräuschentwicklung

2.3 Weitere Hinweise zur Arbeitssicherheit



Gehörschutz

Tragen Sie bei der Arbeit mit dem Großmagazin SHLS80-N stets einen Gehörschutz.



Augenschutz

Tragen Sie beim Aufenthalt im Arbeitsbereich des betriebsbereiten Systems stets einen Augenschutz.

- Benutzen Sie nur ein vollständig montiertes, intaktes Gerät und verändern Sie nichts am Originalzustand.
- Trennen Sie ein defektes oder nicht einwandfrei funktionierendes Gerät sofort vom Druckluftnetz und übergeben Sie es einem Sachkundigen zur Prüfung.
- Trennen Sie das Gerät bei allen Wartungs- und Einstellarbeiten vom Druckluftnetz.
- Achten Sie darauf, daß der max. zulässige Betriebsüberdruck nicht überschritten wird.
- Greifen Sie niemals in das betriebsbereite System hinein.
- Vermeiden Sie Schwächungen und Beschädigungen am Gerät, z.B. durch
 - Einschlagen oder Eingravieren
 - Nicht zugelassene Umbaumaßnahmen
 - Führen des Gerätes an Schablonen aus hartem Material (z.B. Stahl)
 - Jede andere Art der Gewalteinwirkung
- Instandsetzungsarbeiten sind einzig durch vom Hersteller Beauftragte oder durch andere Sachkundige unter Verwendung von Original-Senco-Ersatzteilen auszuführen.

2.4 Geräuschemission

Geräuschmessung gem. EN 292, Teil 2, Meßverfahren nach DIN IEC804

Geräuschemission: $L_{pAeq} = 97,5 \text{ db(A)}$

Der Geräuschkennwert ist systembezogen und gibt nicht die Geräuschentwicklung am Verwendungsort wieder. Diese hängt ab von der Arbeitsumgebung, dem Werkstück, der Zahl der Eintreibvorgänge u.A.



Info

Wir empfehlen, eine ausreichende Schalldämpfung des eingebauten Systems vorzunehmen.

EINBAU/ANSCHLUSS

3 Einbau/Anschluß

3.1 Einbauhinweise

Bitte beachten Sie beim Einbau des Großmagazins SHLS80-N folgende Einbauhinweise:

- Befestigen Sie das Gerät ausschließlich am Aufnahmebolzen (14).
- Der Mindestabstand zweier Systeme bei reihenweiser Anordnung muß mindestens 100 mm betragen (Meßpunkt Systemmitte). Ab Klammergröße N21 muß der Mindestabstand entsprechend der Magazinbreite vergrößert werden.
- Der Abstand der Klammerführung vom Werkstück beim Heftvorgang muß mindestens 3 mm betragen. Wir empfehlen eine höhenverstellbare Montage des Systems.

3.2 Druckluftanschluß



Explosionsgefahr

Sauerstoff und brennbare Gase dürfen nicht als Energiequelle verwendet werden.
Es besteht Explosionsgefahr!

Der Anschluß an das Druckluftnetz erfolgt über einen Druckluftschlauch mit Schnellkupplung (Beipack). Der unverschleißbare Nippel muß so angebracht werden, daß das System beim Lösen der Verbindung sofort drucklos wird. Bitte beachten Sie beim Anschluß an das Druckluftnetz folgende Punkte:

- Der Verdichter (Kompressor) muß über eine ausreichende Leistung (2.000 l/min) verfügen.
 - Die zugeführte Druckluft darf den max. zulässigen Betriebsdruck (8,3 bar) um nicht mehr als 10 % überschreiten
 - Installieren Sie in der Druckluftzuleitung einen Druckregler und ein Absperrventil.
 - Verwenden Sie ausschließlich gefilterte, leicht geölte Druckluft zum Betrieb des Großmagazins.
- Führen Sie den Anschluß gemäß Elektro- und Pneumatikplan durch.



Info

Die Auslöseimpulse müssen mindestens 0,05 s anliegen.

BETRIEB

4 Betrieb

4.1 Laden des Schnellwechsellmagazins



Info

Wir empfehlen, das Schnellwechsellmagazin (11) nur in Arbeitspausen oder bei Stillstand der Vorrichtung bzw. Fertigungsstraße zu laden.

Legen Sie die Klammerstäbe liegend, mit der Schenkelöffnung zur offenen Seite des Schnellwechsellmagazins, von oben ein.

4.2 Auffüllen der Zentralschmieranlage

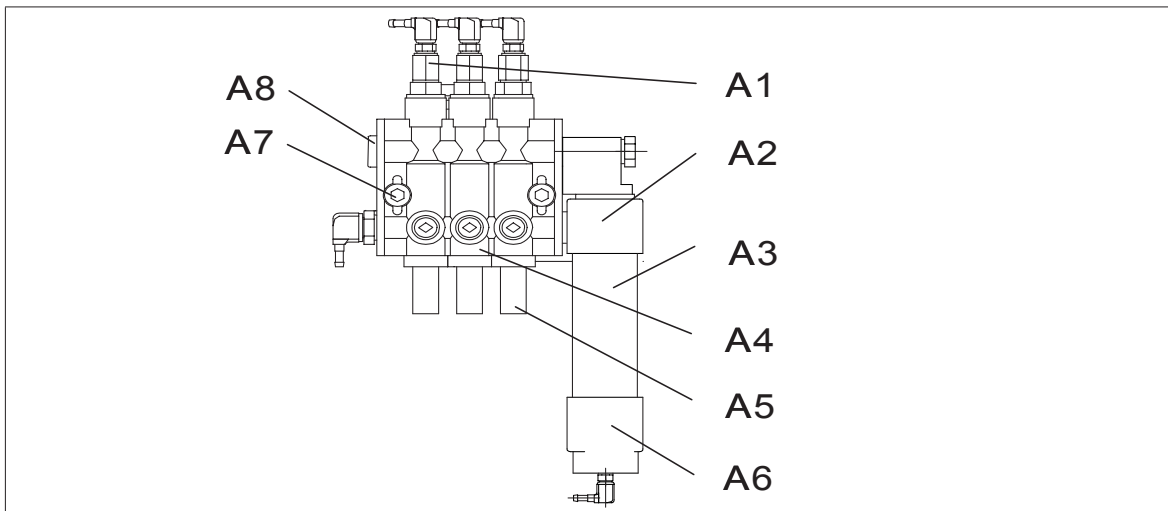


Bild 4.2/1: Zentralschmieranlage



Info

Die Zentralschmieranlage zur Schmierung der Zylinderbuchse muß nach dem Auffüllen entlüftet werden (siehe Kap. 4.2.1)

Führen Sie zum Auffüllen der Zentralschmieranlage folgende Arbeitsschritte durch:

1. Lösen Sie die beiden Schrauben (A7) und ziehen Sie den Fettmengendosierer (A4) komplett mit dem leeren Fettbehälter (A3) aus der Halterung (A6) heraus.
 2. Ziehen Sie den Fettbehälter (A3) aus der Gewindekappe (A2).
 3. Stecken Sie den Adapter (Pos. 5 in Bild 12.7/1) auf den Fettbehälter.
 4. Füllen Sie Fett ein, bis der Kolben am unteren Ende angekommen ist.
 5. Montieren Sie den Fettbehälter in umgekehrter Reihenfolge.
 6. Ziehen Sie die Schrauben (A7) wieder fest. Kontrollieren Sie dabei die O-Ringe des Zylinders auf Beschädigungen. Tauschen Sie beschädigte O-Ringe sofort aus.
- Die Zentralschmieranlage ist damit wieder einsatzbereit.

4.2.1 Entlüften der Zentralschmieranlage

Falls es zu einem Lufteinschluß in der Zentralschmieranlage (z.B. durch Auffüllen) gekommen ist, muß sie entlüftet werden. Führen Sie dazu folgende Arbeitsschritte durch:

1. Lösen Sie die beiden Schrauben (A7).
2. Lösen Sie die Entlüftungsschraube (A8).
3. Fördern Sie solange manuell Fett (durch Betätigen des Hebelventils, Pos. 12 in Bild 12.6.1/1, S. 19), bis aus der Entlüftungsschraube nur noch blasenfreies Fett austritt.
4. Schließen Sie die Entlüftungsschraube.
5. Ziehen Sie die beiden Schrauben (A7) fest
6. Montieren Sie die Zentralschmieranlage.

5 Störungsbeseitigung



Gefahr

Trennen Sie das Gerät vor der Ausführung der nachfolgend beschriebenen Arbeiten stets vom Druckluftnetz.

5.1 Verklemmungen am Heftkopf beseitigen

Führen Sie zum Beseitigen von Verklemmungen am Heftkopf folgende Arbeitsschritte durch:

1. Hebeln Sie die Federn der Klammerführungsklappe (8) nach außen.
 2. Öffnen Sie die Klammerführungsklappe.
 3. Entfernen Sie die verklemmte Klammer mit einem geeigneten Werkzeug.
 4. Schließen Sie die Klammerführungsklappe.
 5. Sichern Sie die Klammerführungsklappe mit den Federn.
- Ist die Verklemmung noch nicht vollständig beseitigt, muß das Heftkopfmagazin entleert werden (siehe Kap. 5.2).

5.2 Entleeren des Heftkopfmagazins

Führen Sie zum Entleeren des Heftkopfmagazins folgende Arbeitsschritte durch:

1. Betätigen Sie die Entriegelung des Heftkopfmagazins (10).
2. Schieben Sie die im Heftkopfmagazin befindlichen Klammern mit einem geeigneten Werkzeug (z.B. kleiner Schraubendreher) nach hinten aus dem Heftkopfmagazin heraus.
3. Blasen Sie das Heftkopfmagazin mit Druckluft aus.
4. Das Heftkopfmagazin kann nun wieder geladen werden.



Achtung

Ist eine Störung nicht zu beheben, geben Sie das Gerät zur Instandsetzung an eine sachkundige Person.

6 Umbauarbeiten



Gefahr

Trennen Sie das Gerät vor der Ausführung der nachfolgend beschriebenen Arbeiten stets vom Druckluftnetz.

6.1 Umrüsten auf andere Klammertypen

Das Großmagazin SHLS80-N kann zur Verarbeitung verschiedener Klammertypen (siehe Kap. 1.2, "Technische Daten") umgerüstet werden.

Führen Sie dazu folgende Arbeitsschritte durch:

1. Trennen Sie das Gerät vom Druckluftnetz.
2. Entriegeln und demontieren Sie das Schnellwechselmagazin.
3. Entleeren Sie, falls erforderlich, das Heftkopfmagazin (siehe Kap. 5.2).
4. Montieren Sie das Schnellwechselmagazin (11) für die gewünschte Klammergröße.
5. Entfernen Sie für Klammerlängen ab 50 mm den Adapter an der Klammerführung (siehe Kap. 6.2).
6. Befüllen Sie das Schnellwechselmagazin mit Klammerstäben der gewünschten Größe.

6.2 Demontage des Klammerführungsadapters

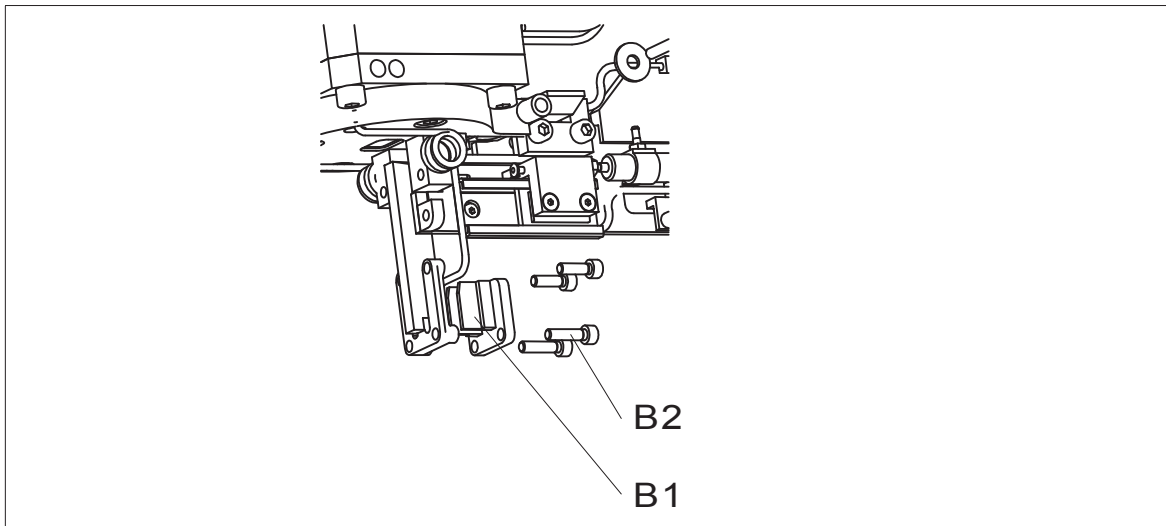


Bild 4.3.2/1: Demontage des Klammerführungsadapters

Führen Sie zur Demontage des Klammerführungsadapters für längere Klammern folgende Arbeitsschritte durch:

1. Vergewissern Sie sich, daß das Gerät vom Druckluftnetz getrennt ist.
2. Lösen Sie die Schrauben (B2).
3. Ziehen Sie den Adapter (B1) ab.
4. Ziehen Sie die Schrauben (B2) wieder fest.

7 Wartung

Halten Sie die aufgeführten Wartungsintervalle ein, um einen stets fehlerfreien Betrieb zu gewährleisten:
Trennen Sie das Gerät vor jeder Wartung oder Instandsetzung vom Druckluftnetz.

Wöchentlich	<ul style="list-style-type: none">• Reinigen Sie das Gerät mit Druckluft.• Fetten Sie bewegliche Teile leicht ein.• Prüfen Sie das Gerät auf Dichtigkeit, Beschädigung, Vorhandensein aller Teile und festen Sitz aller Schrauben.
-------------	--

8 Reparatur

Reparaturen am Drucktank dürfen ausschließlich durch vom Hersteller beauftragte oder andere sachkundige Personen unter Verwendung von Original-Senco-Ersatzteilen ausgeführt werden.

9 Gewährleistung

Das Gerät wurde nach dem neuesten Stand der Technik entwickelt und hergestellt. Wir bieten dem Erstkäufer auf Funktion, Material und Verarbeitung eine Gewährleistung entsprechend den gesetzlichen Vorschriften. Ausgenommen ist normaler Verschleiß.

Die Gewährleistung erlischt, wenn unsachgemäße Behandlung, Anwendung von Gewalt, Reparatur durch Dritte und Einbau anderer als Original-Ersatzteile feststellbar ist.

Die Gewährleistung erstreckt sich auf Instandsetzung oder Umtausch nach unserer Wahl. Eine über unseren Lieferumfang hinausgehende Gewährleistung ist ausgeschlossen, da wir auf den sach- und fachgerechten Einsatz des Gerätes keinen Einfluß haben.

Bitte beachten Sie unsere Geschäftsbedingungen!

10 Entsorgung



Führen Sie Gerät, Verpackung und Zubehör einer umweltgerechten Wiederverwertung (gemäß der Richtlinie 2002/96/EG des Europäischen Parlamentes und des Rates vom 27. Januar 2003) zu.

ANSCHLUSS- UND FUNKTIONSPLÄNE

11 Anschluß- und Funktionspläne

11.1 Pneumatikplan

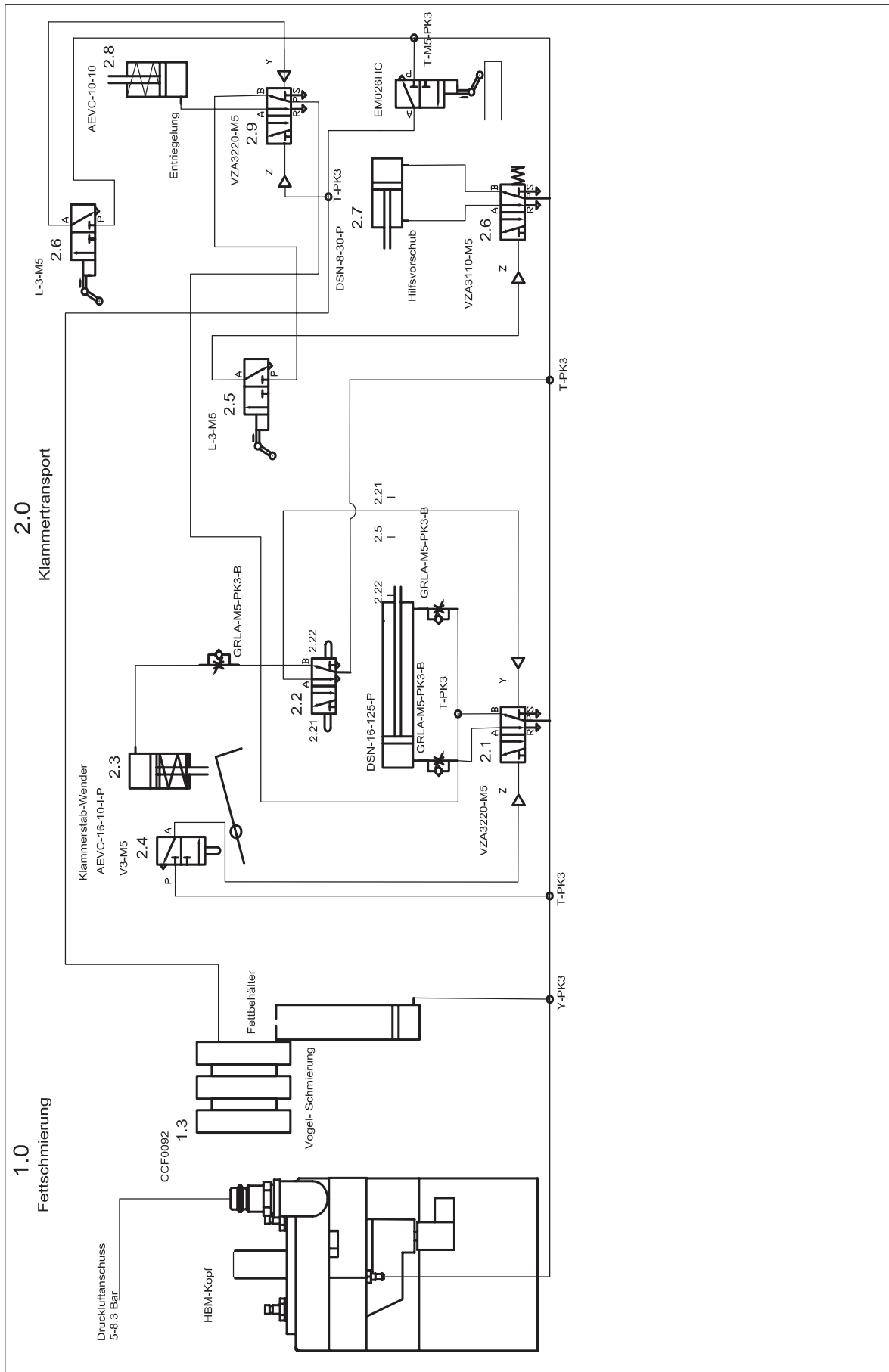


Bild 11.1/1: Pneumatikplan

11.2 Elektroplan

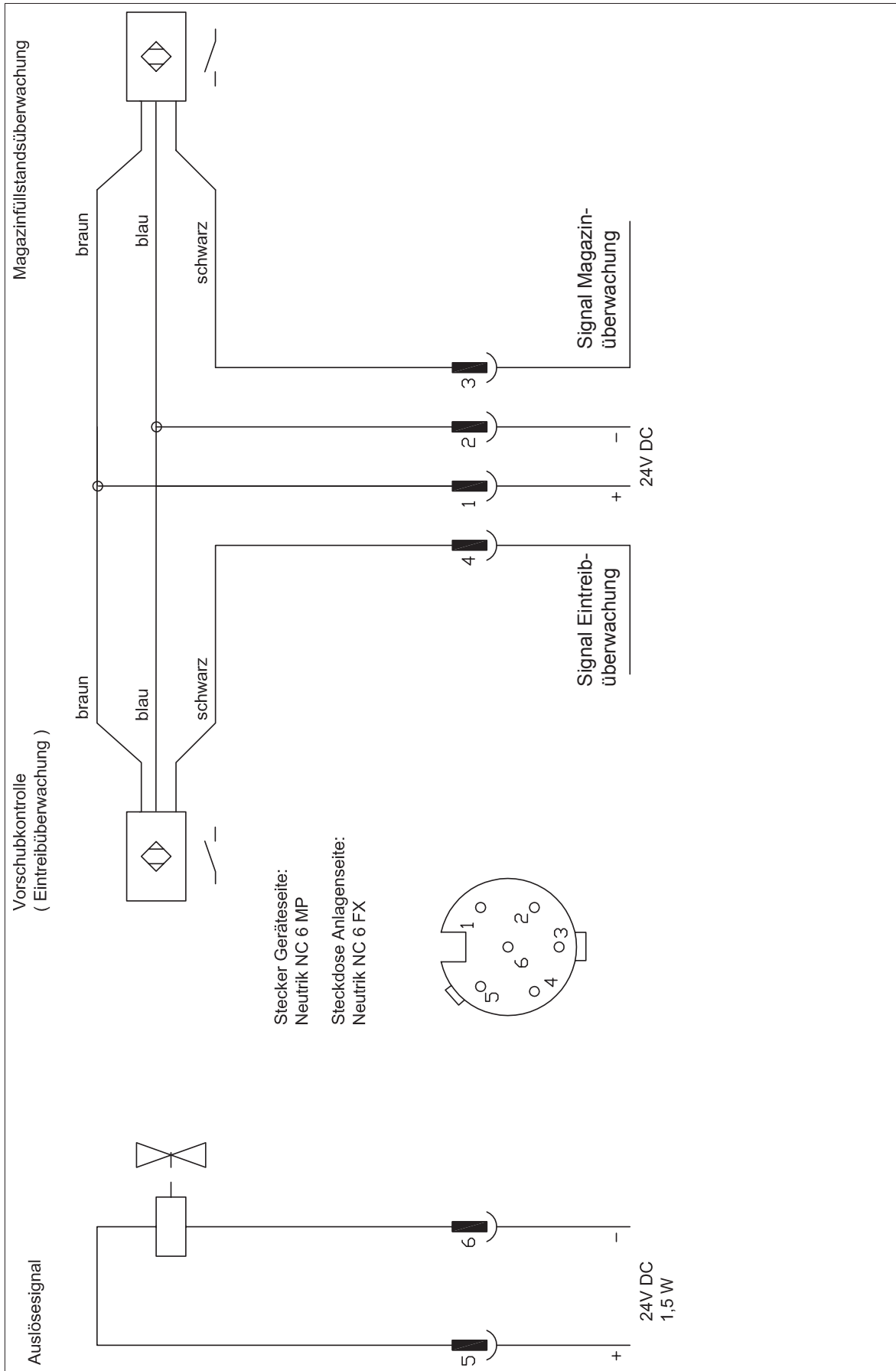


Bild 11.2/1: Elektroplan

ERSATZTEILE

12 Ersatzteillisten 12.1 Maschinentacker

D

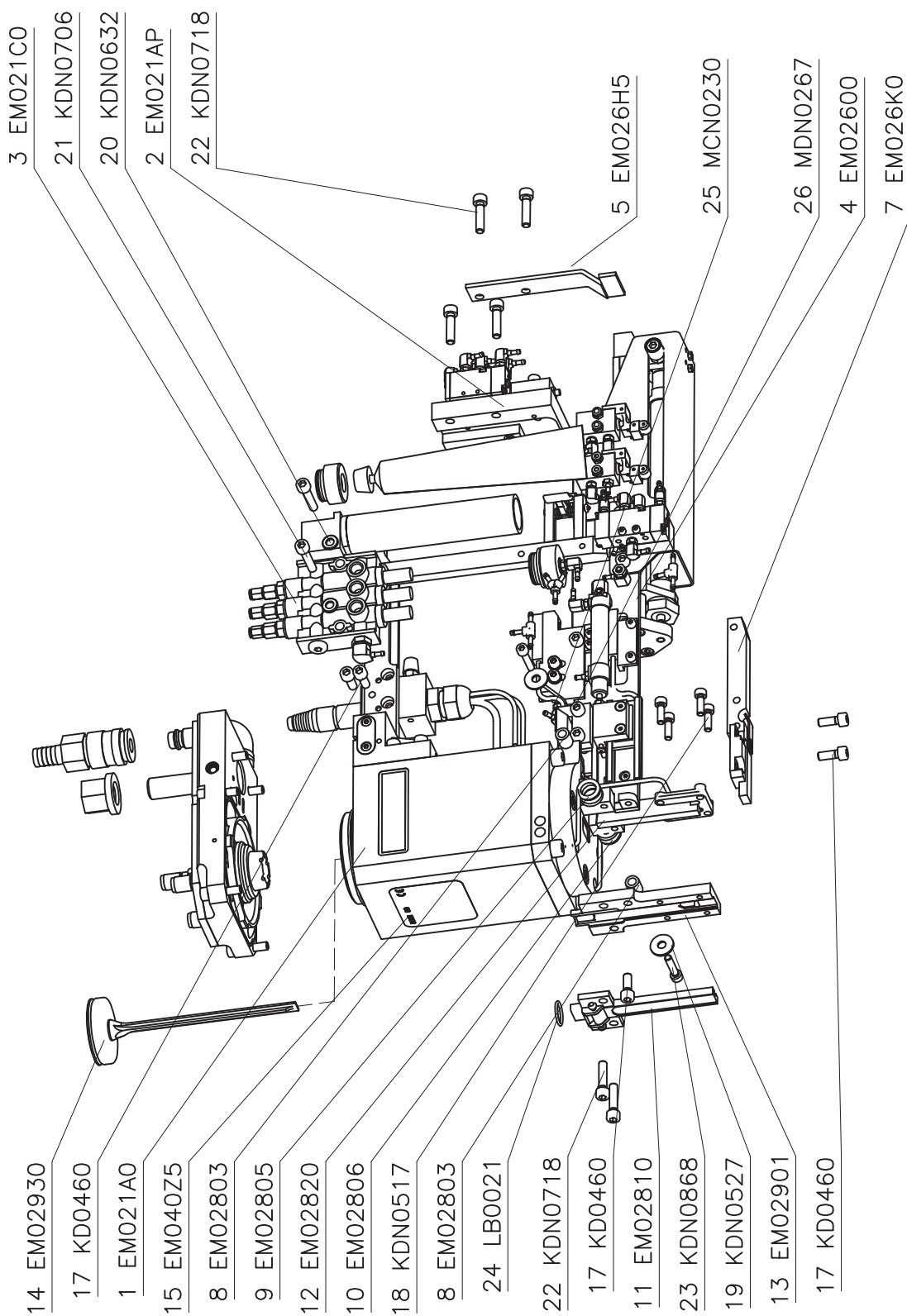


Bild 12.1/1: Maschinentacker

12.1 Ersatzteile Maschinentacker

Pos.	Bestell-Nr.	Anzahl	Bezeichnung
1	EM021A0	1	HBM80 KOPF
2	EM021AP	1	ABLUFTECKEL KOMPL
3	EM021C0	1	FETTSCHMIERUNG
4	EM02600	1	VORSCHUBEINHEIT
5	EM026H5	1	ANSCHLAG
6	EM026HC	1	HEBELVENTIL
7	EM026K0	1	TRÄGER N KOMPLETT
8	EM02803	2	BUCHSE
9	EM02805	1	SCHENKELFEDER
10	EM02806	1	SCHENKELFEDER
11	EM02810	1	FRONTKLAPPE
12	EM02820	1	KLAMMERTRÄGER
13	EM02901	1	KLAMMERFÜHRUNG N
14	EM02930	1	KOLBEN TREIBER
15	EM040Z5	1	AUFKLEBER FÜR GERAT
16	KD0042	2	SCHRAUBE
17	KD0460	5	SCHRAUBE
18	KDN0517	4	SCHRAUBE
19	KDN0527	2	SCHEIBE DIN9021
20	KDN0632	2	U-SCHEIBE
21	KDN0706	2	SCHRAUBE
22	KDN0718	6	SCHRAUBE
23	KDN0868	2	SCHRAUBE
24	LB0021	1	O-RING
25	MCN0230	1	L-STECKNIPPELVERSCHR
26	MDN0267	1	STECKNIPPEL-VERSCHR

D

12.2 EM021A0 HBM 80/N Kopf

D

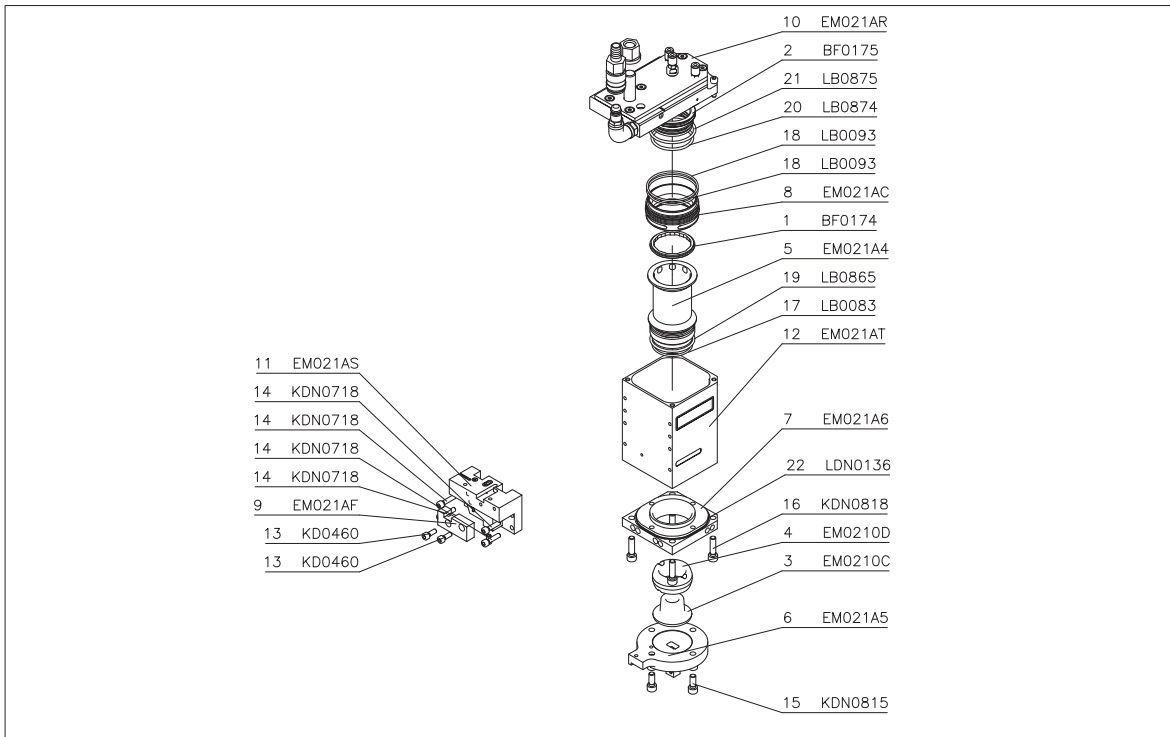


Bild 12.2/1: Kopf

Ersatzteile Maschinentacker

Pos.	Bestell-Nr.	Anzahl	Bezeichnung
1	BF0174	1	DICHTRING
2	BF0175	1	VENTIL
3	EM0210C	1	PUFFER 1
4	EM0210D	1	PUFFER 2
5	EM021A4	1	ZYLINDERBUCHSE
6	EM021A5	1	FLANSCH
7	EM021A6	1	ZWISCHENFLANSCH
8	EM021AC	1	VENTILRING
9	EM021AF	1	HALTER
10	EM021AR	1	DECKEL BAUGRUPPE
11	EM021AS	1	VENTIL-BAUGRUPPE
12	EM021AT	1	GEHÄUSE KOMPL
13	KD0460	2	SCHRAUBE
14	KDN0718	4	SCHRAUBE
15	KDN0815	4	SCHRAUBE
16	KDN0818	4	SCHRAUBE
17	LB0083	1	O-RING
18	LB0093	2	O-RING
19	LB0865	1	O-RING
20	LB0874	1	O-RING
21	LB0875	1	O-RING
22	LDN0136	1	O-RING

12.3 Abluftdeckel (komplett)

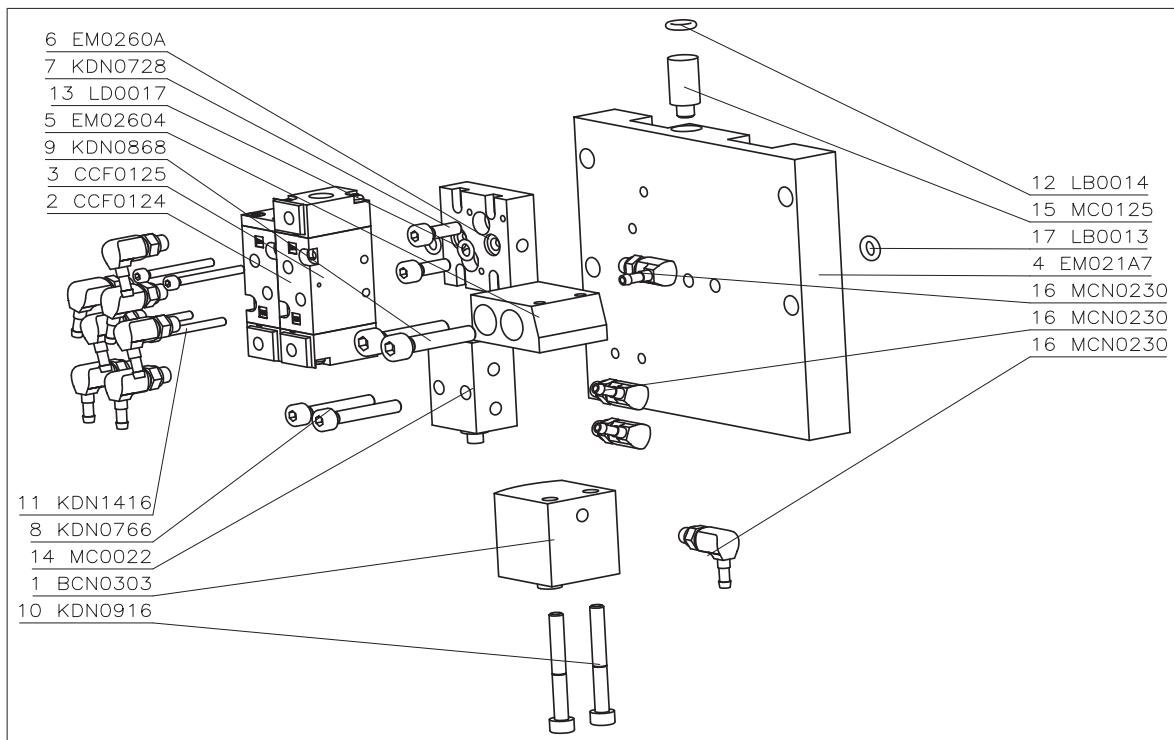


Bild 12.3/1: Abluftdeckel (komplett)

Ersatzteile Abluftdeckel (komplett)

Pos.	Betsell-Nr.	Anzahl	Bezeichnung
1	BCN0303	1	ZYLINDER
2	CCF0124	1	VENTIL 5/2 M5
3	CCF0125	1	VENTIL 5/2 M5
4	EM021A7	1	ABLUFTDECKEL
5	EM02604	1	HALTER
6	EM0260A	1	PLATTE
7	KDN0728	2	SCHRAUBE
8	KDN0766	2	SCHRAUBE
9	KDN0868	2	SCHRAUBE
10	KDN0916	2	SCHRAUBE
11	KDN1416	4	SCHRAUBE
12	LB0014	1	O-RING
13	LD0017	2	O-RING
14	MC0022	1	MICRO-VENTIL V3-M5
15	MC0125	1	SCHALLDÄMPFER
16	MCN0230	11	L-STECKNIPPELVERSCHR
17	LB0013	1	O-RING

12.4 Deckelbaugruppe

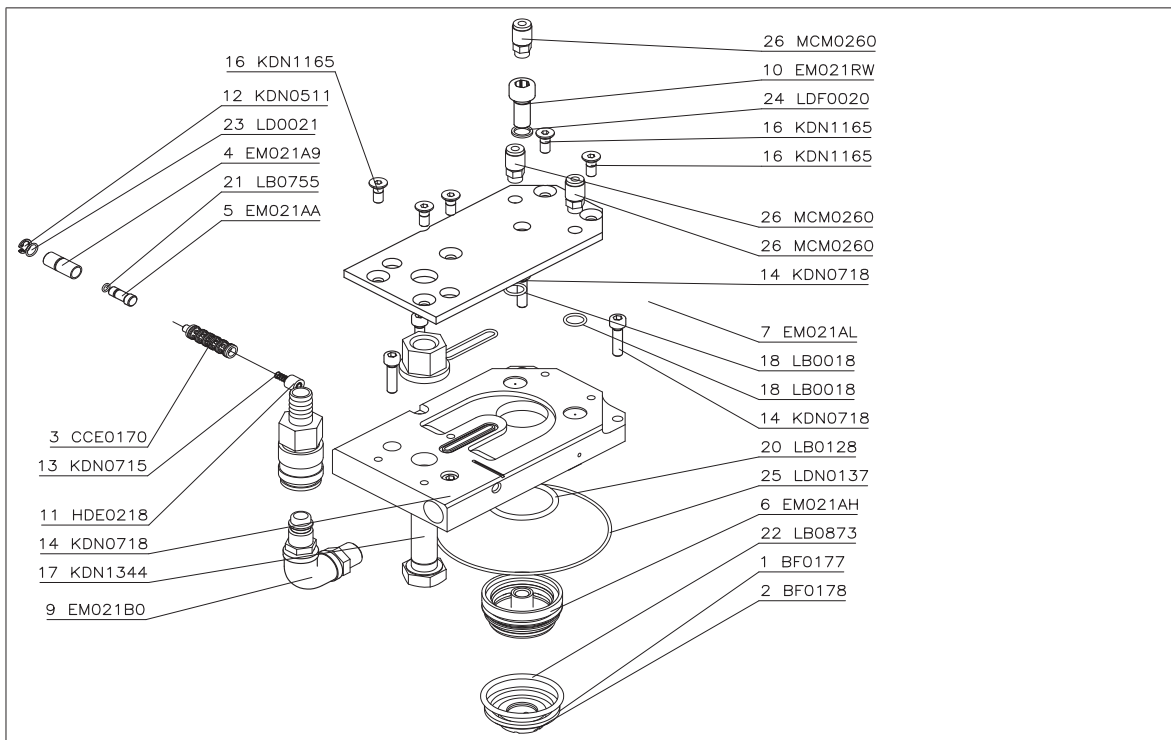
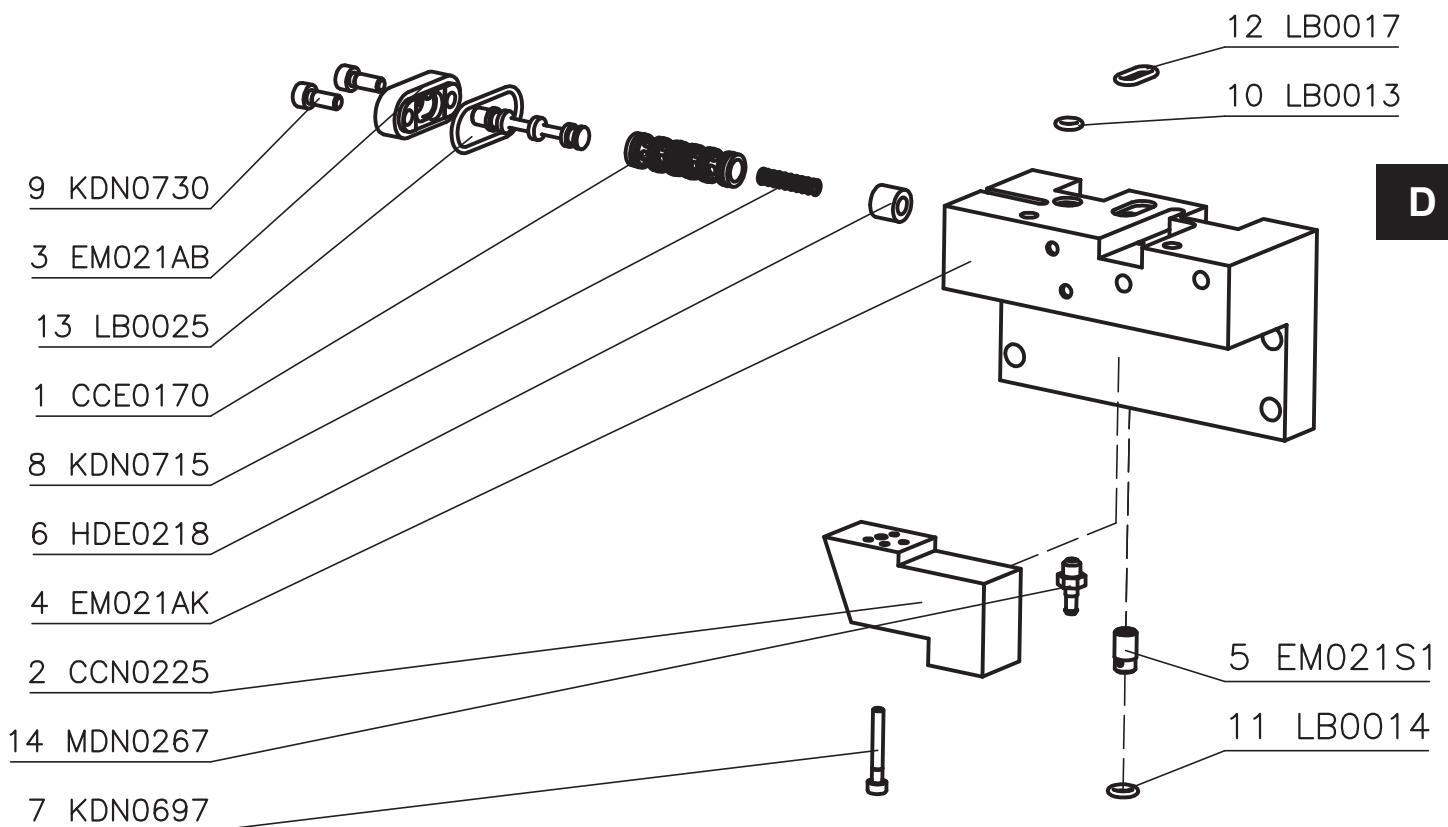


Bild 12.4/1: Deckelbaugruppe

Ersatzteile Deckelbaugruppe

Pos.	Bestell-Nr.	Anzahl	Bezeichnung
1	BF0177	1	DICHTUNG
2	BF0178	1	PUFFER
3	CCE0170	1	STAHLSCHIEBER
4	EM021A9	1	BUCHSE
5	EM021AA	1	STIFT
6	EM021AH	1	VENTIL
7	EM021AL	1	DECKEL KOMPL
8	EM021AN	1	PLATTE 80
9	EM021B0	1	LUFTANSCHLUSS
10	EM021RW	1	ANSCHLUßSCHRAUBE
11	HDE0218	1	BUCHSE
12	KDN0511	1	SICHERUNGSRING
13	KDN0715	1	DRUCKFEDER
14	KDN0718	5	SCHRAUBE
15	KDN0991	1	MUTTER M16
16	KDN1165	5	SCHRAUBE
17	KDN1344	1	SCHRAUBE
18	LB0018	2	O-RING
19	LB0030	1	O-RING
20	LB0128	1	O-RING
21	LB0755	1	O-RING
22	LB0873	1	O-RING
23	LD0021	1	O-RING
24	LDF0020	1	DICHTRING
25	LDN0137	1	O-RING
26	MCM0260	3	RÜCKSCHLAGVENTIL

12.5 Ventilbaugruppe

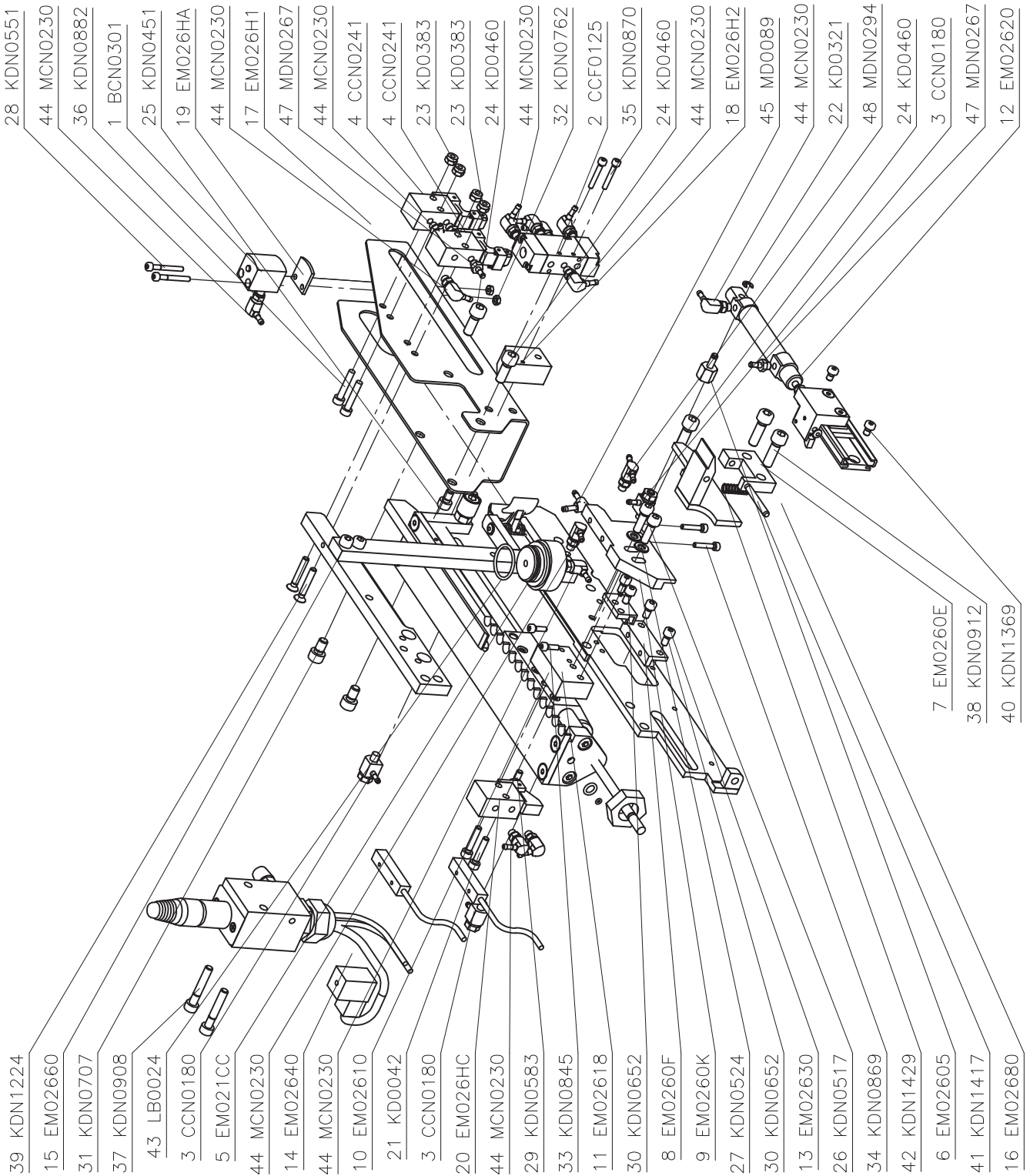


Ersatzteilliste: 18VENTIL-BAUGRUPPE - EM021AS

Pos.	Bestell-Nr.	Anzahl	Bezeichnung
1	CCE0170	1	STAHLSCHIEBER
2	CCN0225	1	MAGNETVENTIL
3	EM021AB	1	KAPPE
4	EM021AK	1	VENTILGEHÄUSE KOMPL
5	EM021S1	1	VENTILSTIFT
6	HDE0218	1	BUCHSE
7	KDN0697	1	SCHRAUBE
8	KDN0715	1	DRUCKFEDER
9	KDN0730	2	SCHRAUBE
10	LB0013	1	O-RING
11	LB0014	1	O-RING
12	LB0017	1	O-RING
13	LB0025	1	O-RING
14	MDN0267	1	STECKNIPPEL-VERSCHR
15	AE1	15	ARBEITSEINHEIT 1 MIN

12.6 Vorschub
12.6.1 VORSCHUBEINHEIT HBM 80 - EM02600

D

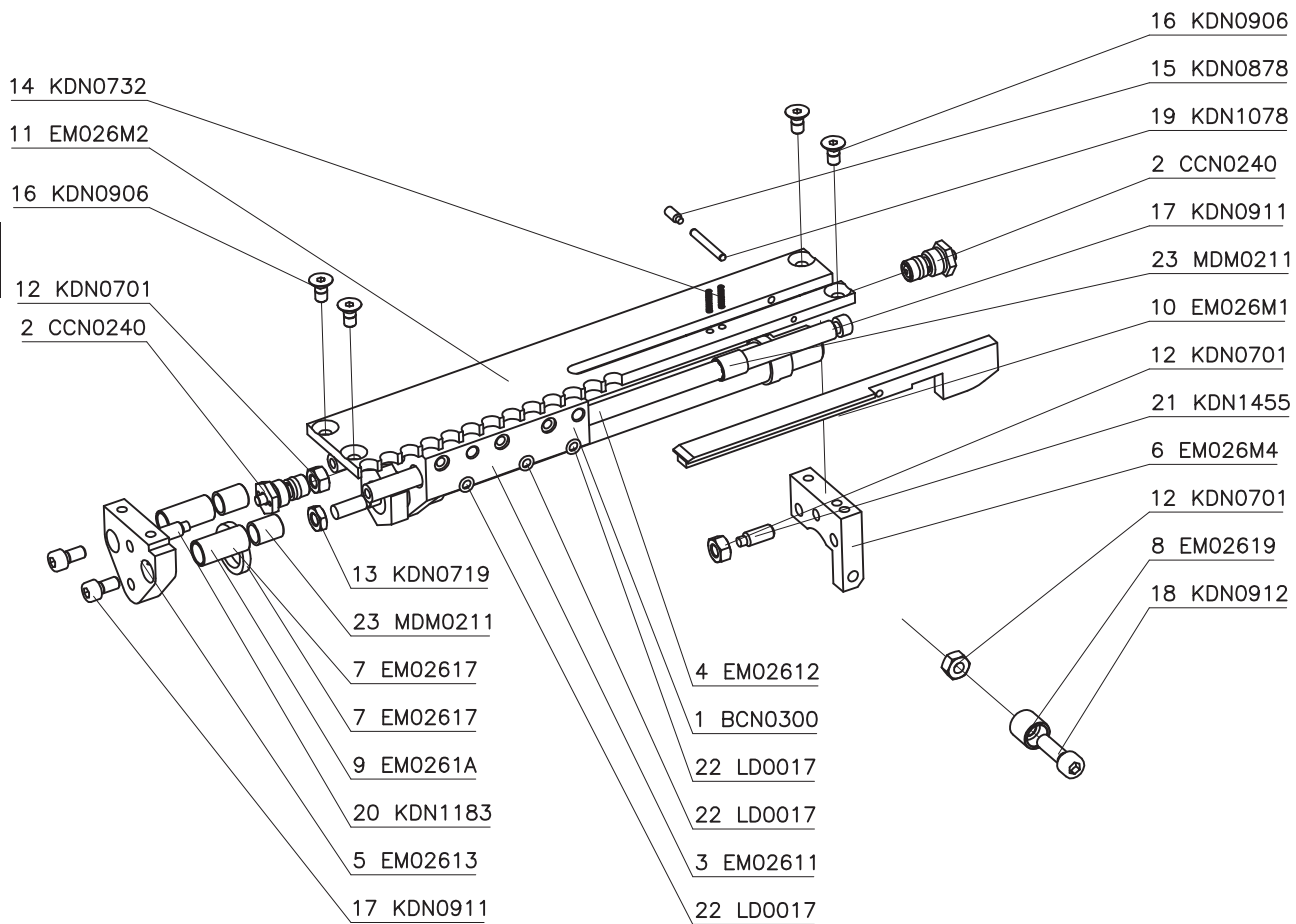


12.6.1 Ersatzteile VORSCHUBEINHEIT HBM 80 - EM02600

Pos.	Bestell-Nr.	Anzahl	Bezeichnung
1	BCN0301	1	ZYLINDER
2	CCF0125	1	VENTIL 5/2 M5
3	CCN0180	3	DROSSEL-RÜCKSCHLAGVENTIL
4	CCN0241	2	KIPPROLLENVENTIL
5	EM021CC	1	HALTER
6	EM02605	1	ACHSE
7	EM0260E	1	HALTER
8	EM0260F	1	WINKEL
9	EM0260K	1	ANSCHLAG
10	EM02610	1	STABVORSCHUB 1
11	EM02618	1	ZWISCHENPLATTE
12	EM02620	1	STABVORSCHUB 2
13	EM02630	1	ANSCHLAG
14	EM02640	1	STECKER KPL
15	EM02660	1	HAUPTTRÄGER
16	EM02680	1	DREHSTÜCK
17	EM026H1	1	BLECH
18	EM026H2	1	HALTER
19	EM026HA	1	DISTANZBLECH
20	EM026HC	1	HEBELVENTIL
21	KD0042	2	SCHRAUBE
22	KD0321	1	SICHERUNGSSCHEIBE
23	KD0383	4	SECHSKANTMUTTER
24	KD0460	3	SCHRAUBE
25	KDN0451	2	SCHRAUBE
26	KDN0517	2	SCHRAUBE
27	KDN0524	2	SCHEIBE 5.3
28	KDN0551	2	SCHRAUBE
29	KDN0583	1	SCHRAUBE
30	KDN0652	4	SCHRAUBE
31	KDN0707	2	SCHRAUBE
32	KDN0762	2	6KT-MUTTER
33	KDN0845	2	ZYLINDERSCHRAUBE
34	KDN0869	2	ZYLINDERSCHRAUBE
35	KDN0870	2	SCHRAUBE
36	KDN0882	2	SCHRAUBE
37	KDN0908	2	SCHRAUBE
38	KDN0912	2	SCHRAUBE
39	KDN1224	2	SCHRAUBE
40	KDN1369	2	SCHRAUBE
41	KDN1417	1	ZYLINDERSTIFT
42	KDN1429	1	DRUCKFEDER
43	LB0024	1	O-RING
44	MCN0230	14	L-STECKNIPPELVERSCHR
45	MD0089	1	T-SCHLAUCHVERBINDUNG

D

12.6.2 Stabvorschub 1



Ersatzteilliste: STABVORSCHUB 1 - EM02610

Pos.	Bestell-Nr.	Anzahl	Bezeichnung
1	BCN0300	1	ZYLINDER
2	CCN0240	2	SITZVENTIL 3/2-WEGE
3	EM02611	1	GEHÄUSE
4	EM02612	2	STANGE
5	EM02613	1	PLATTE 1
6	EM026M4	1	PLATTE 2
7	EM02617	1	SCHEIBE
8	EM02619	1	BUCHSE
9	EM0261A	2	BUCHSE
10	EM026M1	1	SCHERSTÜCK
11	EM026M2	1	RASTERPLATTE
12	KDN0701	3	MUTTER
13	KDN0719	1	SECHSKANTMUTTER
14	KDN0732	2	DRUCKFEDER
15	KDN0878	1	GEWINDESTIFT M. ZAPFEN
16	KDN0906	4	SCHRAUBE
17	KDN0911	4	ZYLINDERSCHRAUBE
18	KDN0912	1	SCHRAUBE
19	KDN1078	1	ZYLINDERSTIFT
20	KDN1183	1	GEWINDESTIFT
21	KDN1455	1	GEWINDESTIFT
22	LD0017	3	O-RING
23	MDM0211	4	EINPRESSBUCHSE

12.6.3 Stabvorschub 2

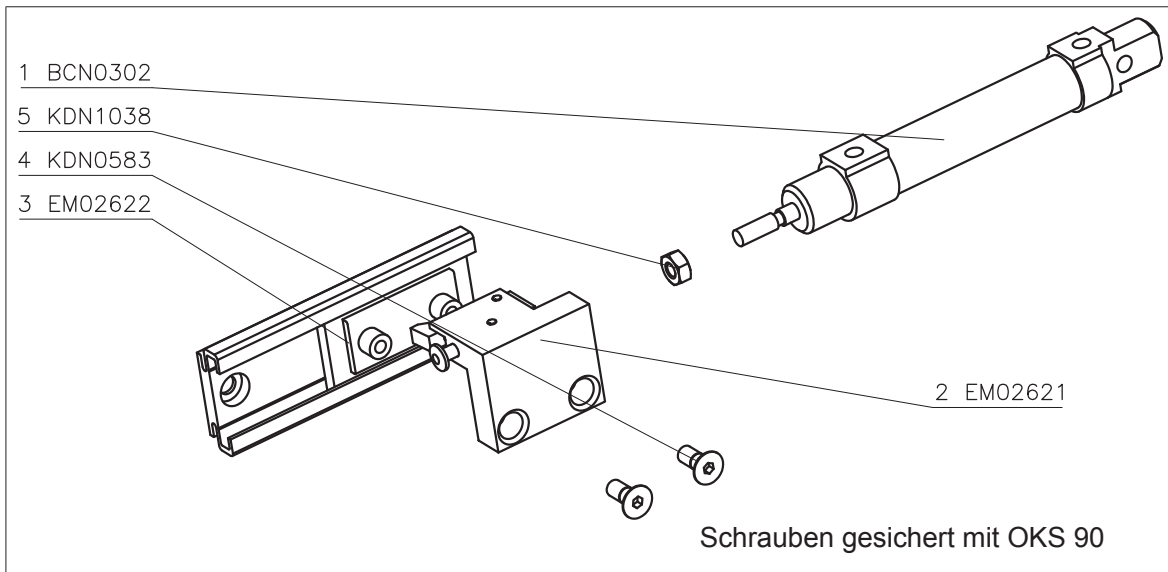


Bild 12.6.2/1: Stabvorschub 2

Ersatzteile Stabvorschub 2

Pos.	Bestell-Nr.	Anzahl	Bezeichnung
1	BCN0302	1	ZYLINDER DOPPELTWIRK
2	EM02621	1	SCHIEBER
3	EM02622	1	GLEITFÜHRUNG
4	KDN0583	2	SCHRAUBE
5	KDN1038	1	SECHSKANTMUTTER

D

12.7 Fettschmierung

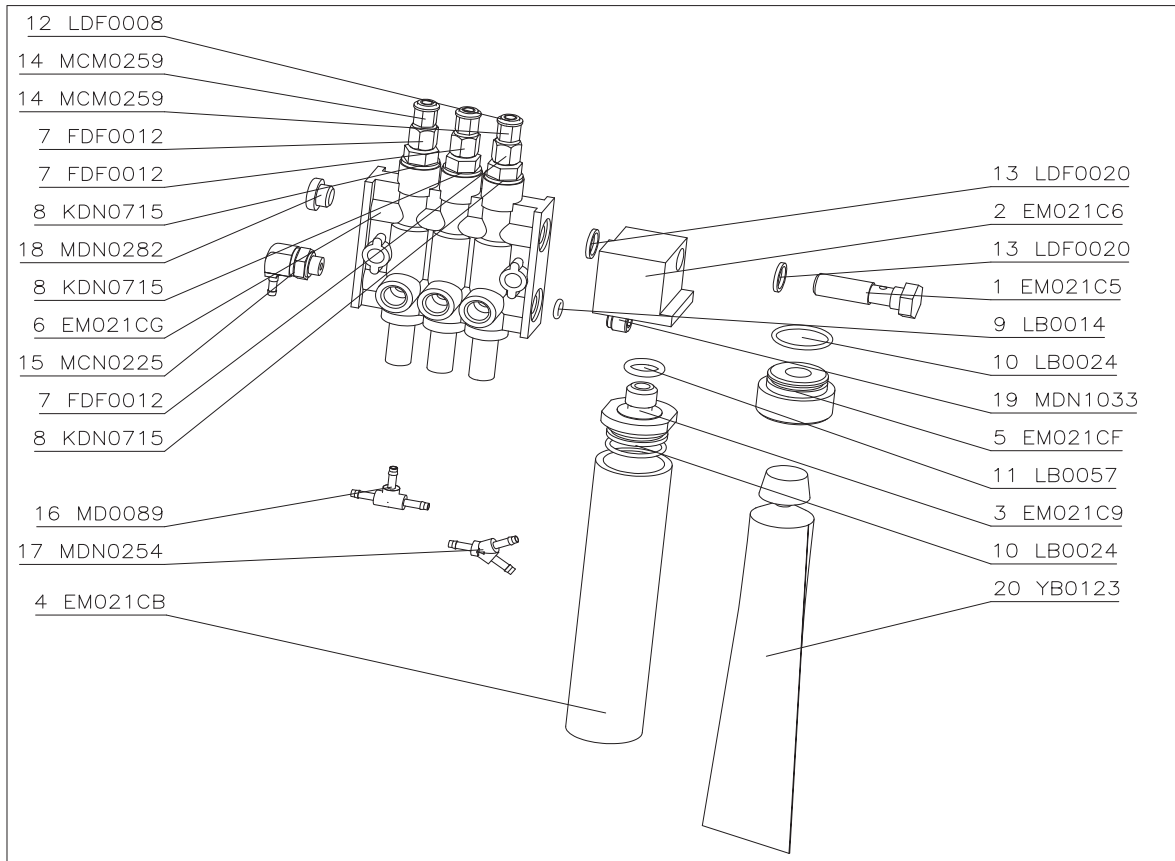


Bild 12.7/1: Fettschmierung

Ersatzteile Fettschmierung

Pos.	Bestell-Nr.	Anzahl	Bezeichnung
1	EM021C5	1	HOHLSCHRAUBE
2	EM021C6	1	RINGSTÜCK
3	EM021C9	1	GEW. KAPPE
4	EM021CB	1	FETTBEHÄLTER
5	EM021CF	1	ADAPTER ZUM BEFÜLLEN
6	EM021CG	1	FETTMENGENDOSIERER
7	FDF0012	3	REDUZIERNIPPEL
8	KDN0715	3	DRUCKFEDER
9	LB0014	1	O-RING
10	LB0024	2	O-RING
11	LB0057	1	O-RING
12	LDF0008	3	DICHTRING DN6
13	LDF0020	2	DICHTRING
14	MCM0259	3	STECKVERSCHRAUBUNG
15	MCN0225	1	L-STECKNIPPEL
16	MD0089	1	T-SCHLAUCHVERBINDUNG
17	MDN0254	1	Y-SCHLAUCHVERBINDUNG
18	MDN0282	1	VERSCHLUßSCHRAUBE
19	MDN1033	1	VERSCHLUßSCHRAUBE
20	YB0123	1	O-RINGFETT TRIBO-LUBE
21	MDN0257	1	SCHLAUCH

12.8 Schieber

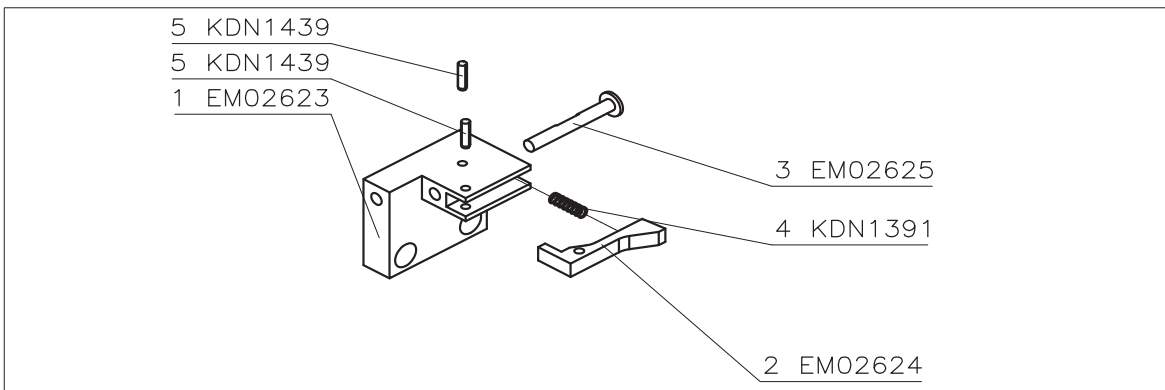


Bild 12.8/1: Schieber

Pos.	Bestell-Nr.	Anzahl	Bezeichnung
1	EM02623	1	ANSCHLAG
2	EM02624	1	HAKEN
3	EM02625	1	STIFT
4	KDN1391	1	DRUCKFEDER
5	KDN1439	2	KERBSTIFT

12.9 Anschlag

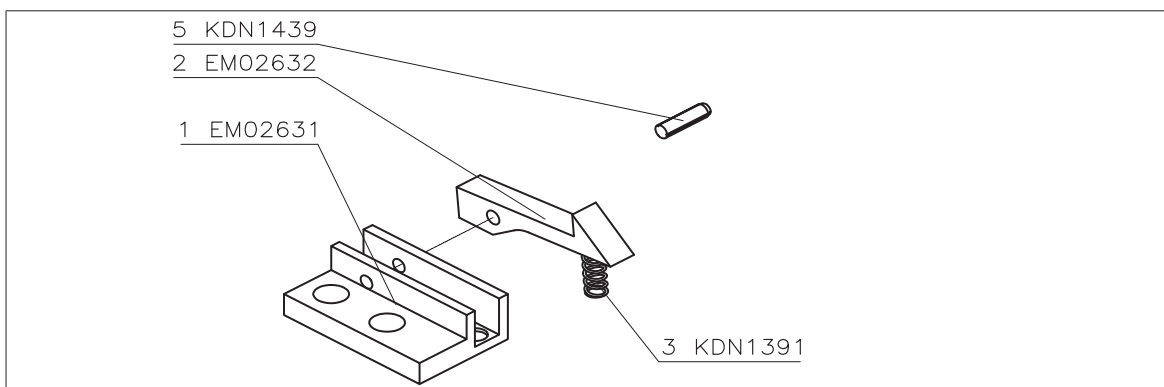


Bild 12.9/1: Anschlag

Ersatzteile Anschlag

Pos.	Bestell-Nr.	Anzahl	Bezeichnung
1	EM02631	1	GEHÄUSE
2	EM02632	1	HAKEN
3	KDN1391	1	DRUCKFEDER
5	KDN1439	1	KERBSTIFT

12.10 Hauptträger

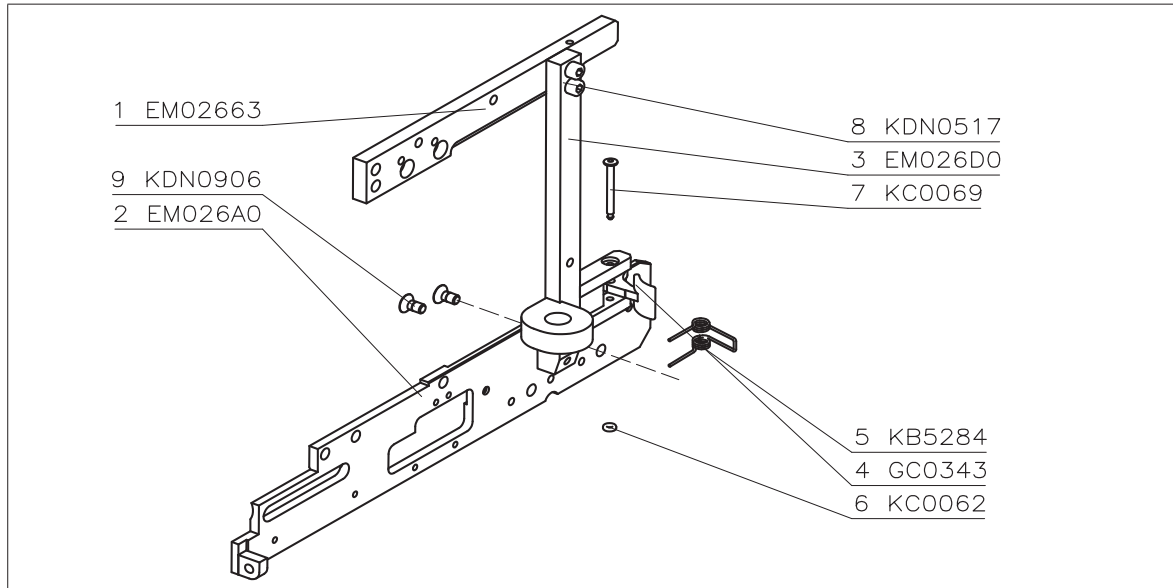


Bild 12.10/1: Hauptträger

Ersatzteile Hauptträger

Pos.	Bestell-Nr.	Anzahl	Bezeichnung
1	EM02663	1	PLATTE
2	EM026A0	1	TRÄGER
3	EM026D0	1	STREBE
4	GC0343	1	VERSCHLUSSHEBEL
5	KB5284	1	FEDER
6	KC0062	1	SICHERUNGSRING
7	KC0069	1	STIFT
8	KDN0517	2	SCHRAUBE
9	KDN0906	2	SCHRAUBE

12.11 Frontklappe

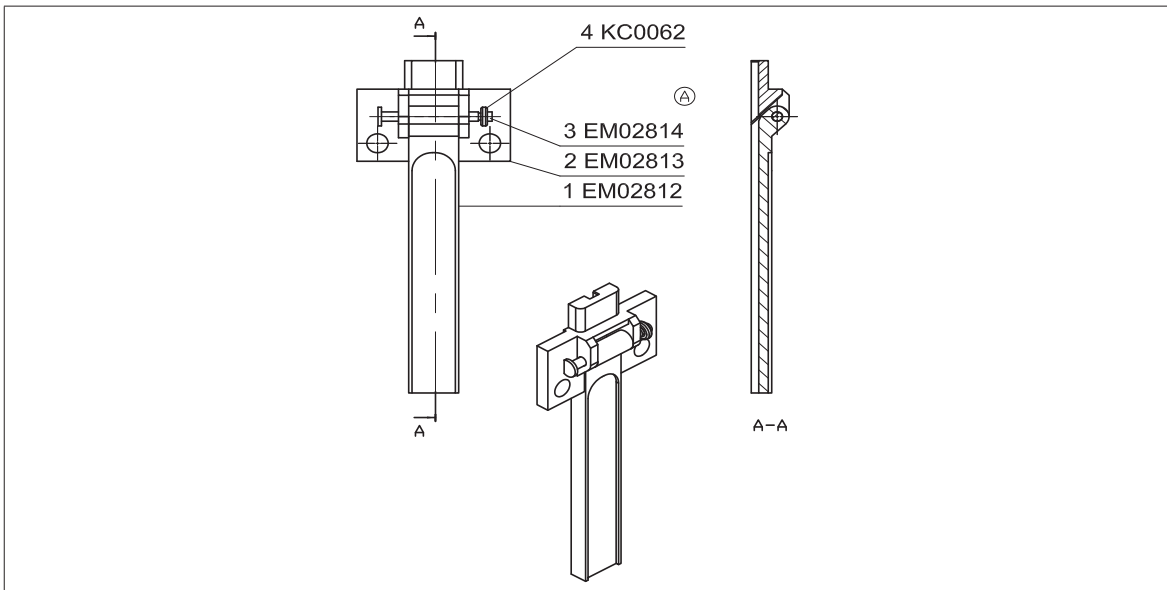


Bild 12.11/1: Frontklappe

Ersatzteile Frontklappe

Position	Order number	Number	Description
1	EM02812	1	Flap
2	EM02813	1	Plate
3	EM02814	1	Pen
4	KC0062	1	Circlip

D

12.12 Klammerträger

D

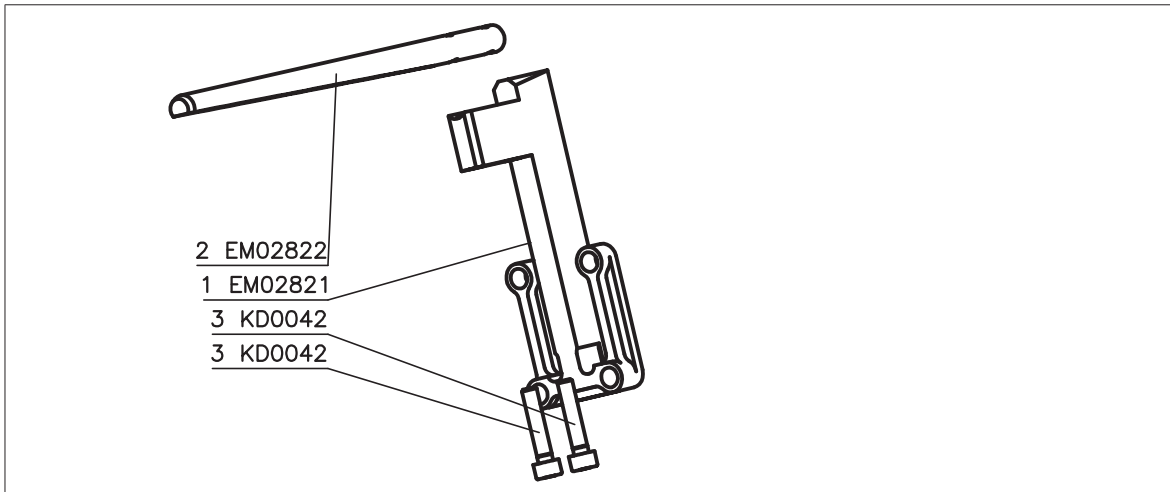


Bild 12.12/1: Hauptträger

Ersatzteile Klammerträger

Pos.	Bestell-Nr.	Anzahl	Bezeichnung
1	EM02821	1	ABSCHERKLOTZ
2	EM02822	1	STAB
3	KD0042	2	SCHRAUBE

12.13 Träger (komplett)

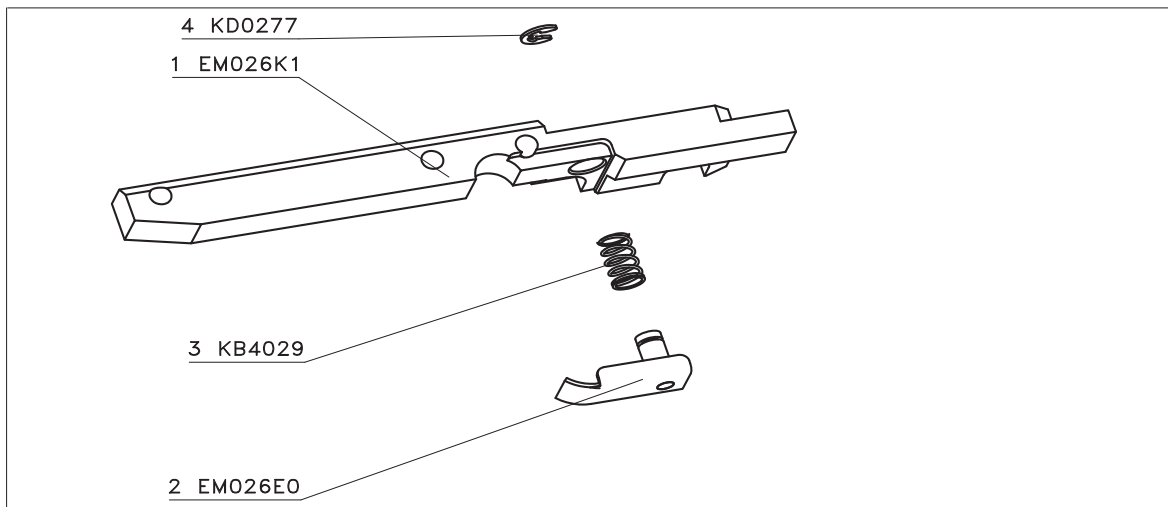


Bild 12.13/1: Träger (komplett)

Ersatzteile Träger (komplett)

Pos.	Bestell-Nr.	Anzahl	Bezeichnung
1	EM026K1	1	TRÄGER N
2	EM026E0	1	ANDRÜCKSCHIENE
3	KB4029	1	DRUCKFEDER
4	KD0277	1	SICHERUNGSSCHEIBE

12.14 Stecker (komplett)

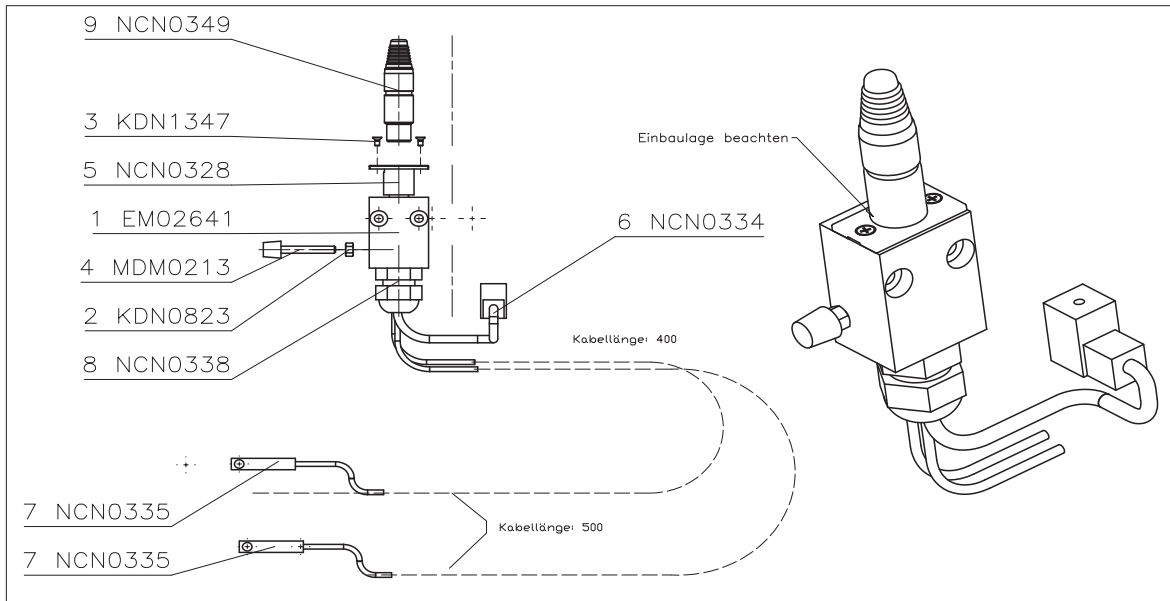


Bild 12.14/1: Stecker (komplett)

Ersatzteile Stecker (komplett)

Pos.	Bestell-Nr.	Anzahl	Bezeichnung
1	EM02641	1	GEHÄUSE
2	KDN0823	1	MUTTER DIN934 M5 VZ
3	KDN1347	2	SCHRAUBE
4	MDM0213	1	ANDRÜCKSCHRAUBE
5	NCN0328	1	EINBAUSTECKER
6	NCN0334	1	STECKDOSE MIT KABEL
7	NCN0335	2	NÄHRUNGSSCHALTER IND
8	NCN0338	1	VERSCHRAUBUNG
9	NCN0349	1	KUPPLUNG
10	EM021P2	1	SCHALTPLAN

12.15 Druckluftanschluß

D

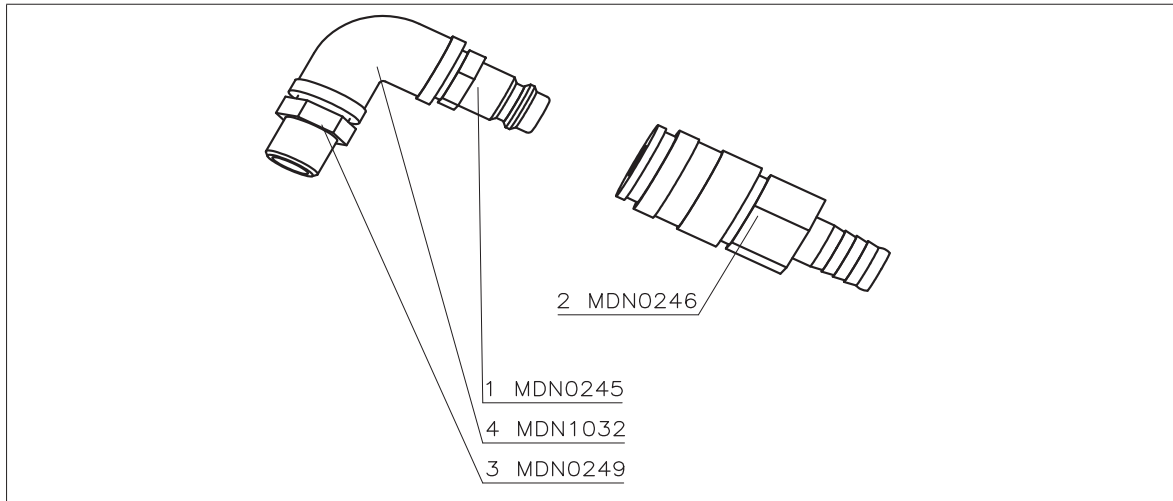


Bild 15.15/1: Druckluftanschluß

Ersatzteile Druckluftanschluß

Pos.	Bestell-Nr.	Anzahl	Bezeichnung
1	MDN0245	1	STECKNIPPEL
2	MDN0246	1	SCHLAUCHKUPPLUNG 13M
3	MDN0249	1	DOPPELNIPPEL
4	MDN1032	1	WINKELSTÜCK

KONFORMITÄTSERKLÄRUNG

Wir Verpa Senco B.V.,
8218NJ Lelystad

erklären in alleiniger Verantwortung, dass die
Produkte
Großmagazine SHLS80
(EM04000, EM04100, EM04200, EM02900,
EM04300, EM04400, EM04500)
auf die sich diese Erklärung bezieht, im
Lieferzustand mit den folgenden Normen oder
normativen Dokumenten übereinstimmt:

Geräte- und Produktsicherheitsgesetz (GPSG)
DIN EN ISO 12100 Teil 1+2
gemäß den Bestimmungen der Richtlinie

98/37/EG

Fred van Gerven
Manager Techniek

Lelystad, September 2013