

## 90mm Coilnailer

**Parts Reference Guide**  
**Guía de referencia**  
**de piezas**  
**Pièces Guide**  
**de référence**

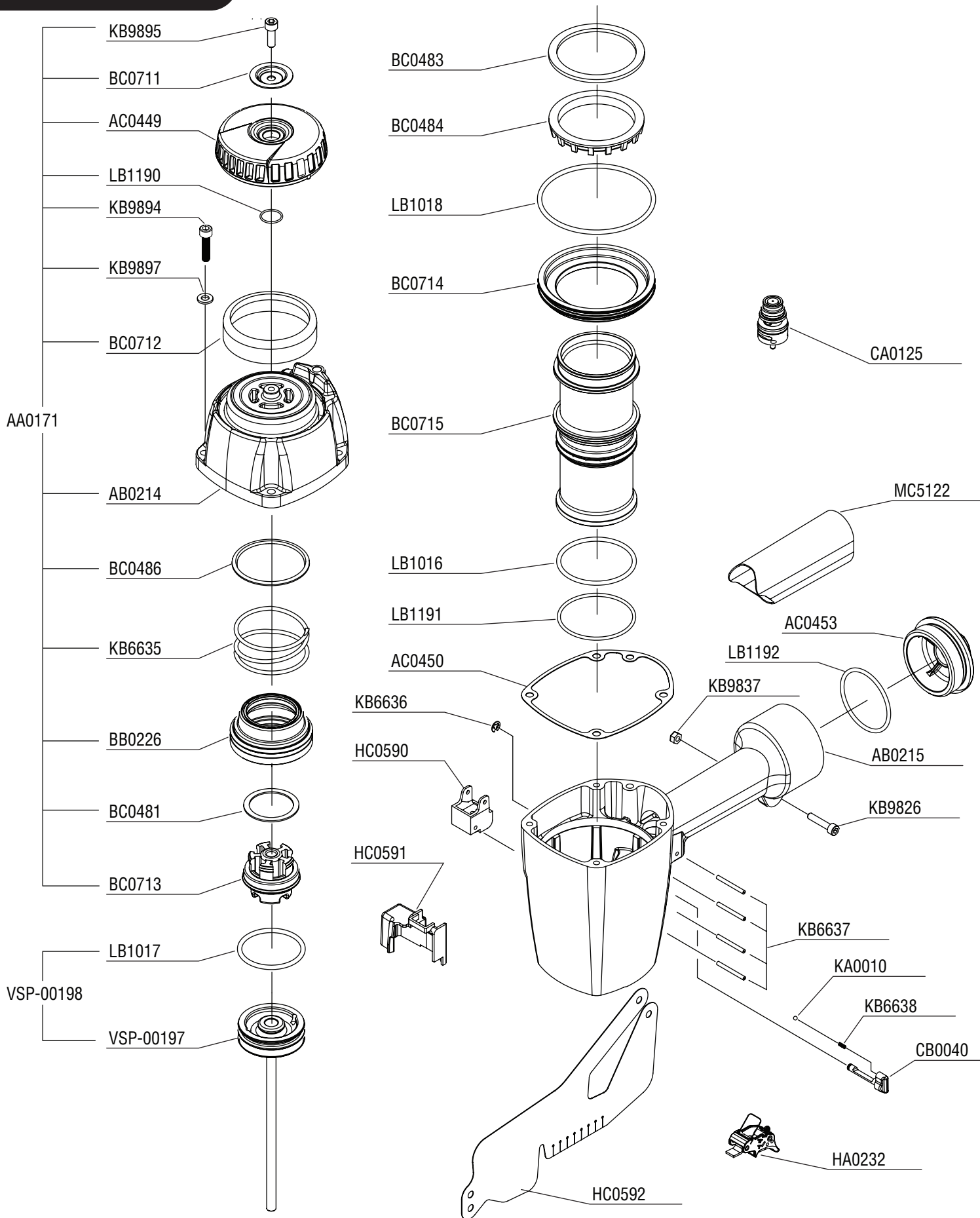
Schematic Drawings Inside  
Plano esquemático en el interior  
Schéma intérieur

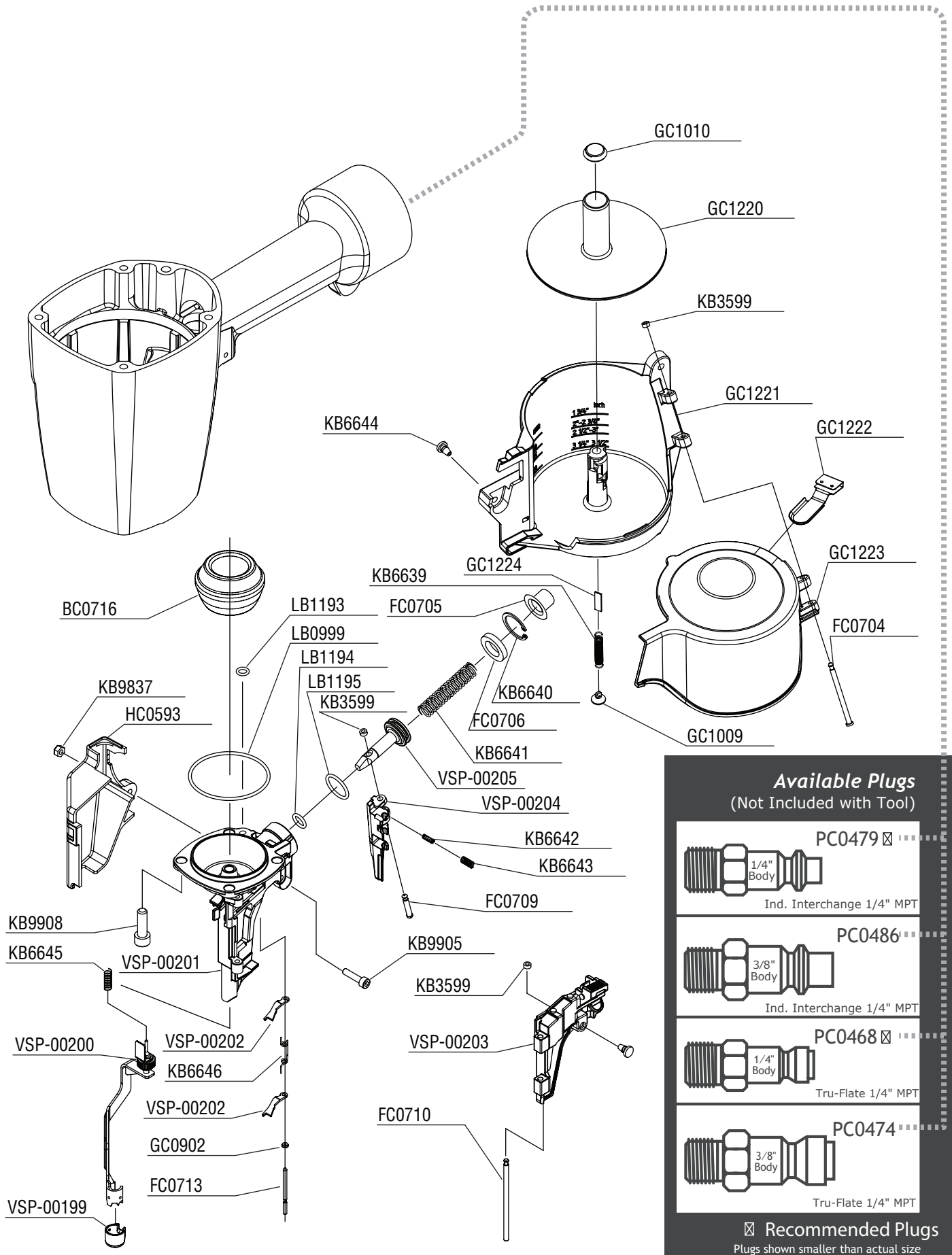


**SENCO**<sup>®</sup>


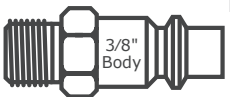
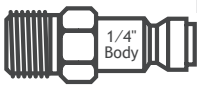
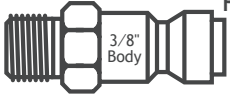
Verpa Senco BV  
Pascallaan 88  
8218 NJ LELYSTAD  
The Netherlands  
[www.senco-emea.com](http://www.senco-emea.com)

VPE01N • December 16, 2014





**Available Plugs**  
(Not Included with Tool)

	PC0479 ☒
Ind. Interchange 1/4" MPT	
	PC0486
Ind. Interchange 1/4" MPT	
	PC0468 ☒
Tru-Flate 1/4" MPT	
	PC0474
Tru-Flate 1/4" MPT	

☒ Recommended Plugs  
Plugs shown smaller than actual size

## REPLACEMENT PARTS LIST • LISTA DE PARTES DE REPUESTO • LISTE DE PIÈCES DE RECHANGE

PART NO.	DESCRIPTION	DESCRIPCIÓN	DÉSIGNATION
AA0171	CAP ASSEMBLY	ASAMBLE DE TAPA	ENSEMBLE BOUCHON
AB0214	CAP	TAPA	BOUCHON
AB0215	MAIN BODY	CARCASA	CORPS
AC0449	CAP	TAPA	BOUCHON
AC0450	SEAL	SELLO	JOINT
AC0453	COVER	CUBIERTA	COUVERCLE
BB0226	FIRING VALVE ASSEMBLY	ASAMBLE DE VÁLVULA	VALVE D'ASSEMBLÉE
BC0481	WASHER	ARANDELA	RONDELLA
BC0483	SEAL	SELLO	JOINT
BC0484	SPACER	SEPARADOR	ENTRETOISE
BC0486	RETAINER	JUNTA TORICA	RETENUE
BC0711	WASHER	ARANDELA	RONDELLA
BC0712	MUFFLER	SILENCIADOR	SILENCIEUX
BC0713	RETAINER	JUNTA TORICA	RETENUE
BC0714	SPACER	SEPARADOR	ENTRETOISE
BC0715	CYLINDER	CILINDRO	CYLINDRE
BC0716	BUMPER	AMORTIGUADOR	AMORTISSEUR
CA0125	TRIGGER VALVE ASSEMBLY	ASAMBLE DE VÁLVULA	VALVE D'ASSEMBLEE
CB0040	PIN ASSEMBLY	ASAMBLE DE PASADOR	ENSEMBLE GOUPILLE
VSP-00197	PISTON	PISTON	PISTON
VSP-00198	PISTON ASSEMBLY	ASAMBLE DE PISTON	ENSEMBLE PISTON-COUTEAU
VSP-00203	DOOR	PUERTA	PORTE
FC0704	PIN	PASADOR	GOUPILLE
FC0705	WASHER	ARANDELA	RONDELLA
FC0706	SEAL	SELLO	JOINT
VSP-00205	PISTON	PISTON	PISTON
VSP-00204	LATCH	UNETA	DOIGT DE RETENUE
FC0709	PIN	PASADOR	GOUPILLE
FC0710	PIN	PASADOR	GOUPILLE
VSP-00201	GUIDEBODY	PLACA DE NARIZ	FRONT
VSP-00202	COVER	CUBIERTA	COUVERCLE
FC0713	PIN	PASADOR	GOUPILLE
GC0902	RETAINER	JUNTA TORICA	RETENUE
GC1009	COVER	CUBIERTA	COUVERCLE
GC1010	CAP	TAPA	BOUCHON
GC1220	PLATE	PLACA	PLAQUE
GC1221	MAGAZINE	CARGADOR	MAGASIN
GC1222	SPRING PLATE	RESORTE PLACA	RESSORT PLAQUE
GC1223	COVER	CUBIERTA	COUVERCLE
GC1224	MUFFLER	SILENCIADOR	SILENCIEUX
HA0232	TRIGGER ASSEMBLY	ASAMBLE DE GATILLO	GACHETTE D'ASSEMBLEE
VSP-00200	SAFETY ELEMENT	SEGURO	PALPEUR DE SECURITE
HC0590	GUIDE	GUIA	GUIS
HC0591	COVER	CUBIERTA	COUVERCLE
HC0592	COVER	CUBIERTA	COUVERCL
HC0593	COVER	CUBIERTA	COUVERCLE
VSP-00199	NO MAR PAD	AMORTIGUADOR	COUSSIN
KA0010	STEEL BALL	BOLA DE ACERO	BALLE ACIER
KB3599	RETAINER	JUNTA TORICA	RETENUE
KB6635	SPRING	RESORTE	RESSORT
KB6636	SEAL	SELLO	JOINT
KB6637	SPRING	RESORTE	RESSORT
KB6638	SPRING	RESORTE	RESSORT
KB6639	SPRING	RESORTE	RESSORT
KB6640	SEAL	SELLO	JOINT
KB6641	SPRING	RESORTE	RESSORT
KB6642	SPRING	RESORTE	RESSORT
KB6643	SPRING	RESORTE	RESSORT
KB6644	PIN	PASADOR	GOUPILLE
KB6645	SPRING	RESORTE	RESSORT
KB6646	SPRING	RESORTE	RESSORT
KB9826	SCREW	TORNILLA	VIS
KB9837	NUT	TUERCA	ECROU
KB9894	SCREW	TORNILLA	VIS
KB9895	SCREW	TORNILLA	VIS
KB9897	WASHER	ARANDELA	RONDELLA
KB9905	SCREW	TORNILLA	VIS
KB9908	SCREW	TORNILLA	VIS
LB0999	SEAL	SELLO	JOINT
LB1016	SEAL	SELLO	JOINT
LB1017	SEAL	SELLO	JOINT
LB1018	SEAL	SELLO	JOINT
LB1190	SEAL	SELLO	JOINT
LB1191	SEAL	SELLO	JOINT
LB1192	SEAL	SELLO	JOINT
LB1193	SEAL	SELLO	JOINT
LB1194	SEAL	SELLO	JOINT
LB1195	SEAL	SELLO	JOINT
MC5122	HANDLE GRIP	AGARRADERO	GAINÉ EN CUIR