

SENCO®

SFW09

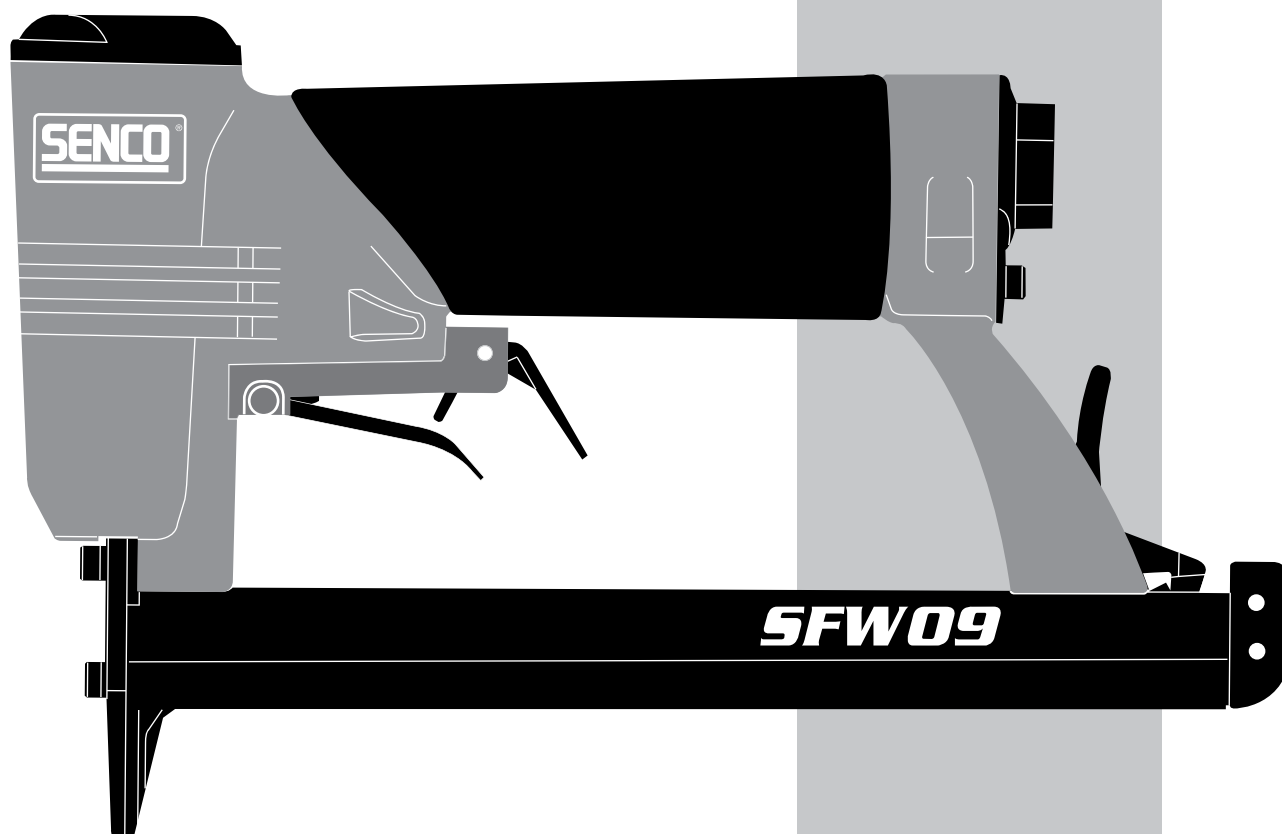
F-Wire Stapler



Parts Reference Guide

Repair Kit

YK0775EU



*** Schematic drawings inside**

Senco Brands Inc.
4270 Ivy Pointe Blvd.
Cincinnati, Ohio 45245
Visit Our Website: www.senco.com
EU Website: www.senco-emea.com

Questions? Comments? call SENCO's toll-free Action-line:
1-800-543-4596 (North & South America only)
or e-mail: toolprof@senco.com

NFE04C-F Revised December 21, 2015 (Replaces 10/20/13) © 2015 by SENCO Brands, Inc. Cincinnati, Ohio 45245 - U.S.A.

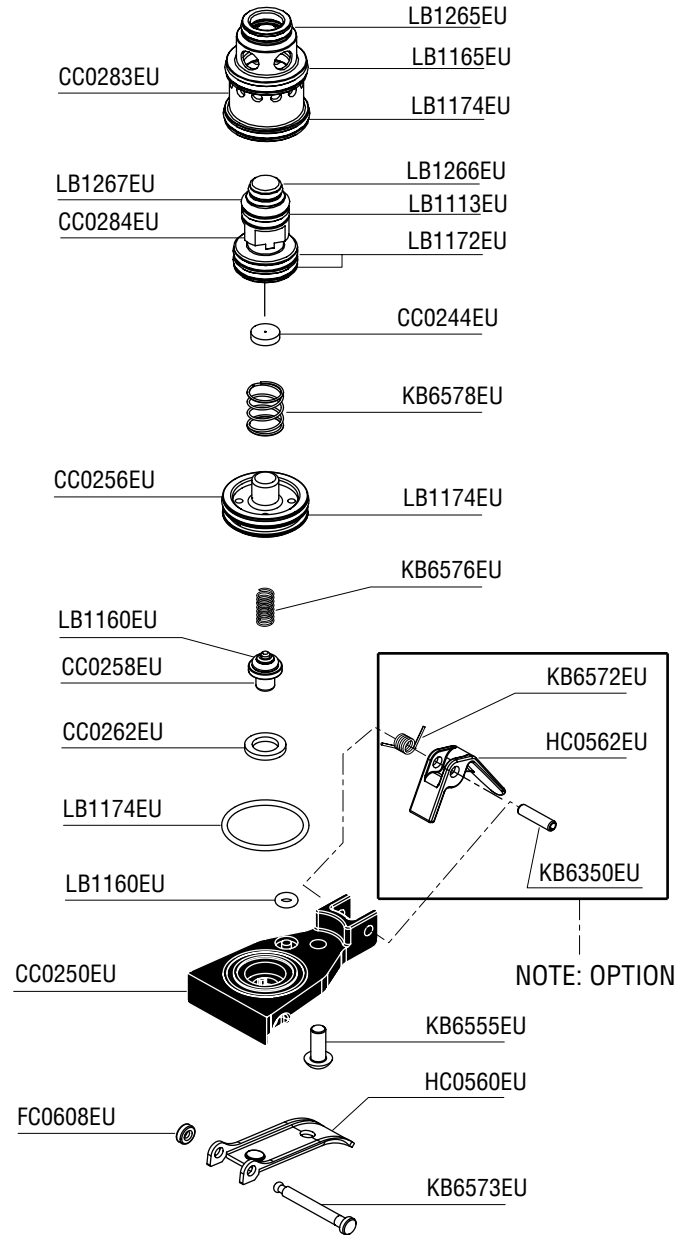
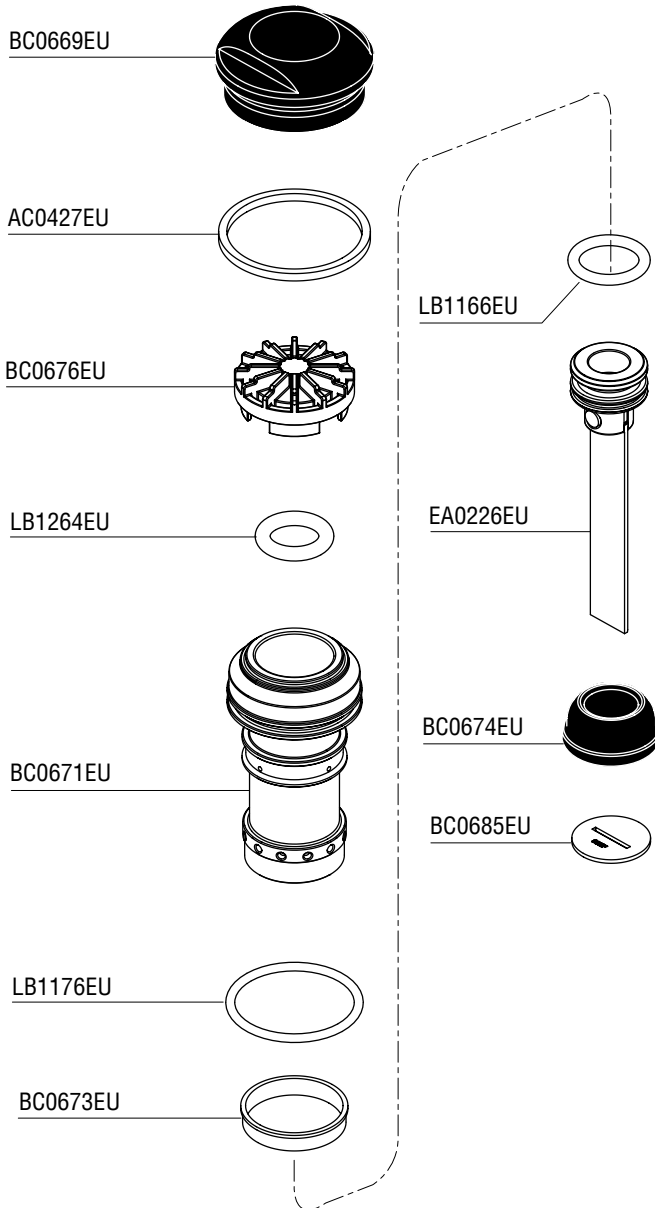
SFW09 F-Wire Stapler

SENCO®

Tool #

4C0041N F-WIRE (US)

4C2041N F-WIRE (EU)

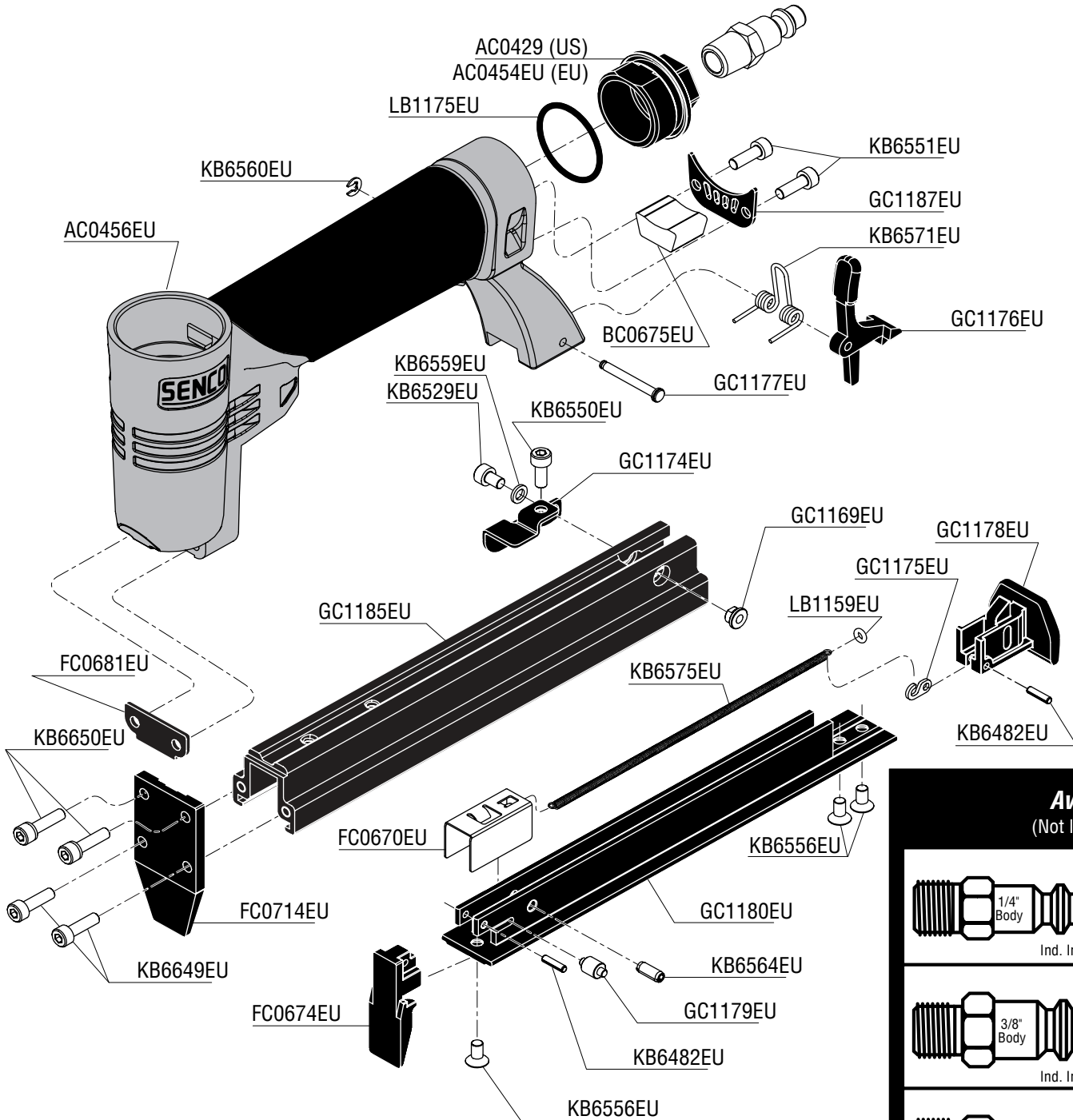


NOTE: OPTION

EU DESIGNED PARTS CAN BE DIFFERENT

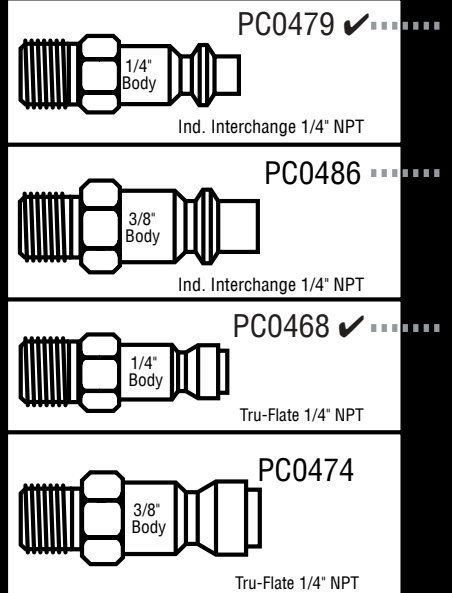
SFW09 F-Wire Stapler

SENCO[®]



EU DESIGNED PARTS CAN BE DIFFERENT

Available Plugs (Not Included with Tool)



✓ **Recommended Plugs**
Plugs shown smaller than actual size

SFW09 F Wire Stapler

REPLACEMENT PARTS LIST • LISTA DE PARTES DE REPUESTO • ERSATSTEILE-LISTE • LISTE DE PIÈCES DE RECHANGE

| PART NO. | DESCRIPTION | DESCRIPCIÓN | BESCHREIBUNG | DÉSIGNATION |
|----------|--------------------|------------------------|-------------------------|-------------------------------|
| AC0427EU | SEAL | SELLO | DICHTUNG | JOINT |
| AC0429EU | CAP (US) | TAPA | KAPPE | BOUCHON |
| AC0454EU | CAP (EU) | TAPA | KAPPE | BOUCHON |
| AC0456EU | MAIN BODY | CARCASA | GEHÄUSE | CORPS |
| BC0669EU | DEFLECTOR | TAPA | KAPPE | BOUCHON |
| BC0671EU | CYLINDER | CILINDRO | ZYLINDER | CYLINDRE |
| BC0673EU | RING | ANILLO | REIFEN | ANNEAU |
| BC0674EU | BUMPER | AMORTIGUADOR | PUFFER | AMORTISSEUR |
| BC0675EU | MUFFLER | SILENCIADOR | DÄMPFER | SILENCIEUX |
| BC0676EU | SEAL | SELLO | DICHTUNG | JOINT |
| BC0685EU | GUIDE | GUÍA | FÜHRUNG | GUIDE |
| CC0244EU | PAD | AMORTIGUADOR | SCHUTZ | COUSSIN |
| CC0250EU | CAP | TAPA | KAPPE | BOUCHON |
| CC0256EU | CAP | TAPA | KAPPE | BOUCHON |
| CC0258EU | PLUNGER (B) | VÁLVULA | VENTIL | VALVE |
| CC0262EU | COLLAR | CILINDRO | ZYLINDER | CYLINDRE |
| CC0283EU | PLUNGER VALVE HEAD | VÁLVULA | VENTIL | VALVE |
| CC0284EU | PLUNGER (A) | VÁLVULA | VENTIL | VALVE |
| EA0226EU | PISTON ASY | ASAMBLE DE PISTON (US) | KOLBEN-ZUSAMMENBAU (US) | ENSEMBLE PISTON -COUTEAU (US) |
| FC0608EU | RETAINER | JUNTA TÓRICA | SICHERUNGSRING | RETNUE |
| FC0670EU | FEEDER | ALIMENTADOR | KLAMMERSCHIEBER | POUSSOIR |
| FC0674EU | PLATE | PLACA | PLATTE | PLAQUE |
| FC0681EU | GASKET | SELLO | DICHTUNG | JOINT |
| FC0714EU | PLATE | PLACA | PLATTE | PLAQUE |
| GC1169EU | ANCHOR | ACOPLAMIENTO | EINSATZ | INSERT |
| GC1174EU | BRACKET | SOPORTE | HALTERUNG | CAVALIER |
| GC1175EU | CLIP | GANCHO | HAKEN | CROCHET |
| GC1176EU | LATCH | UNETA | VERSCHLUSS | DOIGT DE RETENUE |
| GC1177EU | PIN | PASADOR | STIFT | GOUPILLE |
| GC1178EU | PLATE | PLACA | PLATTE | PLAQUE |
| GC1179EU | ROLLER | RODILLO | ROLLE | GALET |
| GC1180EU | MAGAZINE (A) | CARGADOR | MAGAZIN | MAGASIN |
| GC1185EU | MAGAZINE (B) | CARGADOR | MAGAZIN | MAGASIN |
| GC1187EU | PLATE | PLACA | PLATTE | PLAQUE |
| HC0560EU | TRIGGER | GATILLO | AUSLÖSER | GÂCHETTE |
| HC0562EU | STOP | GATILLO | AUSLÖSER | GÂCHETTE |
| KB6350EU | PIN | PASADOR | STIFT | GOUPILLE |
| KB6482EU | PIN | PASADOR | STIFT | GOUPILLE |
| KB6529EU | SCREW | TORNILLO | SCHRAUBE | VIS |
| KB6550EU | SCREW | TORNILLO | SCHRAUBE | VIS |
| KB6551EU | SCREW | TORNILLO | SCHRAUBE | VIS |
| KB6555EU | SCREW | TORNILLO | SCHRAUBE | VIS |
| KB6556EU | SCREW | TORNILLO | SCHRAUBE | VIS |
| KB6559EU | WASHER | ARANDELA | SCHIBE | RONDELLE |
| KB6560EU | RING | ANILLO DE RESORTE | SICHERUNGSRING | ANNEAU ÉLASTIQUE |
| KB6564EU | PIN | PASADOR | STIFT | GOUPILLE |
| KB6571EU | SPRING | RESORTE | FEDER | RESSORT |
| KB6572EU | SPRING | RESORTE | FEDER | RESSORT |
| KB6573EU | PIN | PASADOR | STIFT | GOUPILLE |
| KB6575EU | SPRING | RESORTE | FEDER | RESSORT |
| KB6576EU | SPRING | RESORTE | FEDER | RESSORT |
| KB6578EU | SPRING | RESORTE | FEDER | RESSORT |
| KB6649EU | SCREW | TORNILLO | SCHRAUBE | VIS |
| KB6650EU | SCREW | TORNILLO | SCHRAUBE | VIS |
| LB1113EU | SEAL | SELLO | DICHTUNG | JOINT |
| LB1159EU | SEAL | SELLO | DICHTUNG | JOINT |
| LB1160EU | SEAL | SELLO | DICHTUNG | JOINT |
| LB1165EU | SEAL | SELLO | DICHTUNG | JOINT |
| LB1166EU | SEAL | SELLO | DICHTUNG | JOINT |
| LB1172EU | SEAL | SELLO | DICHTUNG | JOINT |
| LB1174EU | SEAL | SELLO | DICHTUNG | JOINT |
| LB1175EU | SEAL | SELLO | DICHTUNG | JOINT |
| LB1176EU | SEAL | SELLO | DICHTUNG | JOINT |
| LB1264EU | SEAL | SELLO | DICHTUNG | JOINT |
| LB1265EU | SEAL | SELLO | DICHTUNG | JOINT |
| LB1266EU | SEAL | SELLO | DICHTUNG | JOINT |
| LB1267EU | SEAL | SELLO | DICHTUNG | JOINT |