

18 Ga. 11mm Crown Long Reach Anvil Clinching Stapler

Parts Reference Guide

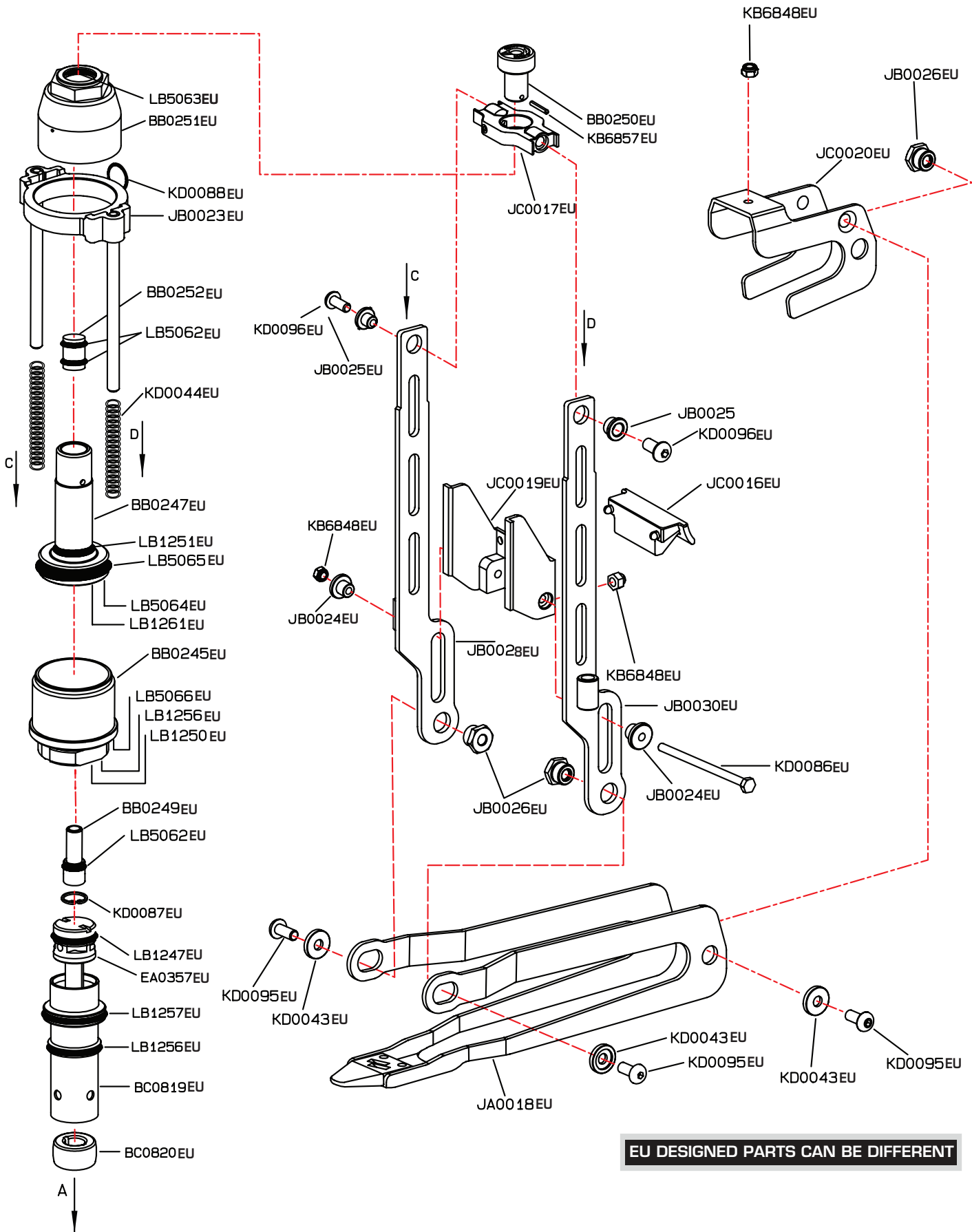
**Guía de referencia
de piezas**

**Pièces Guide
de référence**



Schematic Drawings Inside
Plano esquemático en el interior
Schéma intérieur

SENCO®

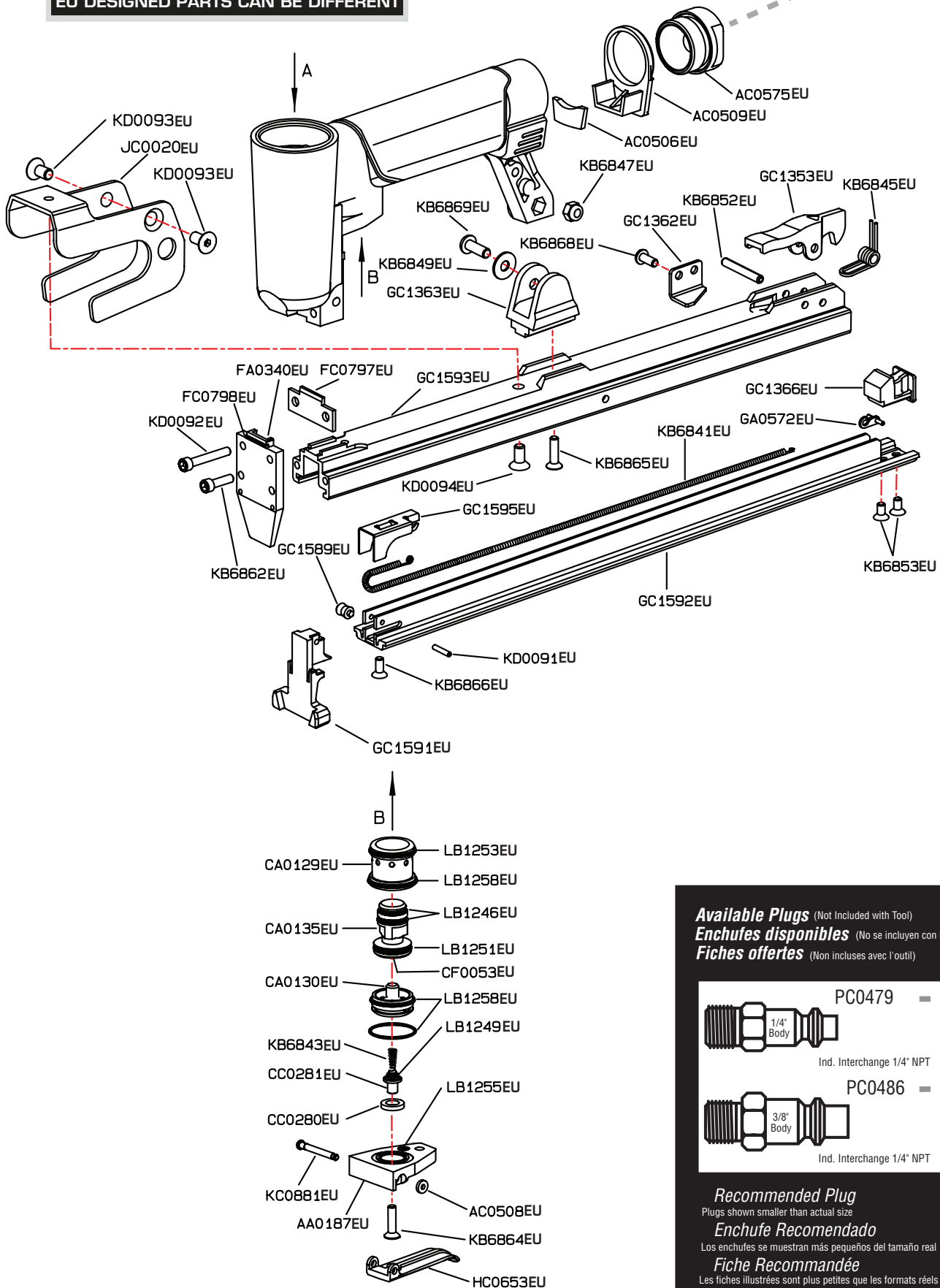


EU DESIGNED PARTS CAN BE DIFFERENT

18 Ga. 11mm Crown Long Reach Anvil Clinching Stapler

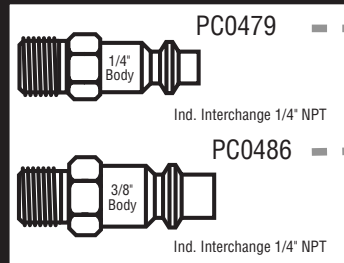
F75LXP

EU DESIGNED PARTS CAN BE DIFFERENT



MFG08L-2 Revised Jan. 27, 2014 © 2014 by SENCO Brands, Inc. Cincinnati, Ohio 45245 - U.S.A.

Available Plugs (Not Included with Tool)
Enchufes disponibles (No se incluyen con la herramienta)
Fiches offertes (Non incluses avec l'outil)



Recommended Plug
 Plugs shown smaller than actual size
Enchufe Recomendado
 Los enchufes se muestran más pequeños del tamaño real
Fiche Recommandée
 Les fiches illustrées sont plus petites que les formats réels



18 Ga. 11mm Crown Long Reach Anvil Clinching Stapler

F75LXP

REPLACEMENT PARTS LIST • LISTA DE PARTES DE REPUESTO • LISTE DE PIÈCES DE RECHANGE

PART NO.	DESCRIPTION	DESCRIPCIÓN	DÉSIGNATION
AA0187EU	TRIGGER PLATE CPL.	PLACA DE GATILLO	PLAQUE DE GÂCHETTE
AC0506EU	SILENCER	SILENCIADOR	SILENCIEUX
AC0508EU	RETAINER	JUNTA TORICA	RETENUE
AC0509EU	SILENCER CAP	TAPA	BOUCHON
AC0575EU	END CAP	TAPA	BOUCHON
BB0245EU	BODY	CARCASA	CORPS
BB0247EU	JAW PISTON	CILINDRO	CYLINDRE
BB0249EU	PISTON	PISTON	PISTON
BB0250EU	ADJUSTER	AMORTIGUADOR	AMORTISSEUR
BB0251EU	CAP	TAPA	BOUCHON
BB0252EU	COVER	CUBIERTA	COUVERCLE
BC0819EU	CYLINDER	CILINDRO	CYLINDRE
BC0820EU	BUMPER	TOPE	ARRÊT
CA0129EU	BUSHING	CASQUILLO	DOUILLE
CA0130EU	TRIGGER	GATILLO	GÂCHETTE
CA0135EU	VALVE PISTON CPL.	VALVULA	VALVE
CC0280EU	SEAL	SELLO	JOINT
CC0281EU	REMOTE STEM	STEM REMOTO	STEM REMOTE
CF0053EU	BUFFER	TOPE	TAMPON
EA0357EU	DRIVER PISTON	PISTON	PISTON
FA0340EU	DRIVER PLATE	PLACA	PLAQUE
FC0797EU	PLATE	PLACA	PLAQUE
FC0798EU	SEAL	SELLO	JOINT
GA0572EU	HOOK	GANCHO	CROCHET
GC1353EU	LATCH	PESTILLO	LOQUET
GC1362EU	STOP	TOPE	ARRÊT
GC1363EU	BRACKET	SOPORTE	SUPPORT
GC1366EU	LATCH	PESTILLO	LOQUET
GC1589EU	ROLLER	RODILLO	ROULEAU
GC1591EU	PLATE	PLACA	PLAQUE
GC1593EU	LOADER	CARGADOR	MAGASIN
GC1595EU	FEEDER	ALIMENTADOR	CHARGEUR
HC0653EU	TRIGGER	GATILLO	GÂCHETTE
JA0018EU	ANVIL (JAW)	YUNQUE	ENCLUME
JB0023EU	JAW RING	ANILLO	ANNEAU
JB0024EU	BUSHING	CASQUILLO	DOUILLE
JB0025EU	BUSHING	CASQUILLO	DOUILLE
JB0026EU	BUSHING	CASQUILLO	DOUILLE
JB0028EU	RIGHT PLATE	PLACA	PLAQUE
JB0030EU	LEFT PLATE	PLACA	PLAQUE
JC0016EU	GUARD	DEFENSA	PROTECTION
JC0017EU	YOKE	HORQUILLA	ÉTRIER
JC0019EU	YOKE	HORQUILLA	ÉTRIER
JC0020EU	YOKE	HORQUILLA	ÉTRIER
KB6841EU	SPRING	RESORTE	RESSORT
KB6843EU	SPRING	RESORTE	RESSORT
KB6845EU	SPRING	RESORTE	RESSORT
KB6847EU	NUT	TUERCA	ÉCROU
KB6848EU	NUT	TUERCA	ÉCROU
KB6849EU	WASHER	ARANDELA	RONDELLE
KB6852EU	PIN	PASADOR	GOUPILLE
KB6853EU	SCREW	TORNILLO	VIS
KB6857EU	PIN	PASADOR	GOUPILLE
KB6862EU	SCREW	TORNILLO	VIS
KB6864EU	SCREW	TORNILLO	VIS
KB6865EU	SCREW	TORNILLO	VIS
KB6866EU	SCREW	TORNILLO	VIS
KB6868EU	SCREW	TORNILLO	VIS
KB6869EU	SCREW	TORNILLO	VIS
KC0881EU	PIN	PASADOR	GOUPILLE
KD0043EU	BUSHING	CASQUILLO	DOUILLE
KD0044EU	SPRING	RESORTE	RESSORT
KD0086EU	SCREW	TORNILLO	VIS
KD0087EU	STOP RING	ANILLO	ANNEAU
KD0088EU	RING	ANILLO	ANNEAU
KD0091EU	PIN	PASADOR	GOUPILLE
KD0092EU	SEAL	SELLO	JOINT
KD0093EU	SCREW	TORNILLO	VIS
KD0095EU	SCREW	TORNILLO	VIS
KD0096EU	SCREW	TORNILLO	VIS
LB1246EU	SEAL	SELLO	JOINT
LB1247EU	SEAL	SELLO	JOINT
LB1249EU	SEAL	SELLO	JOINT
LB1250EU	SEAL	SELLO	JOINT
LB1251EU	SEAL	SELLO	JOINT
LB1253EU	SEAL	SELLO	JOINT
LB1255EU	SEAL	SELLO	JOINT
LB1256EU	SEAL	SELLO	JOINT
LB1257EU	SEAL	SELLO	JOINT
LB1258EU	SEAL	SELLO	JOINT
LB1261EU	SEAL	SELLO	JOINT
LB5062EU	SEAL	SELLO	JOINT
LB5063EU	SEAL	SELLO	JOINT
LB5064EU	SEAL	SELLO	JOINT
LB5065EU	SEAL	SELLO	JOINT
LB5066EU	SEAL	SELLO	JOINT