



# Stripnailers

XtremePro Series	Pro Series	SemiPro Series
SLP20XP	FinishPro10	S200BN
SLP20XP GLN	FinishPro18Mg	S200SM
SBN10XP	FinishPro16XP	S250FN
LS1XP	FinishPro35Mg	S900FN
FinishPro25XP	FramePro601	
FinishPro30XP	FramePro651	
FinishPro42XP	SidingPro40	
SN90CXP	SN1602	
SN90FXP	SN1302	
FinishPro23SXP		
FinishPro23LXP		
FinishPro21LXP		

## Operating Instructions

(Original Instructions)

## Betriebsanleitung

(Übersetzung der Ursprünglichen Anweisungen)

## Gebruiksaanwijzing

(Vertaling van de Oorspronkelijke Gebruiksaanwijzing)

## Käyttöohjeet

(Alkuperäisten Ohjeiden Käännös)

## Brukvisning

(Oversettelse av de Originale Instruksjonene)

## Brukvisning

(Översättning av de Ursprungliga Undervisningarna)

## Bruksanvisning

(Oversættelse af de Originale Instruktationer)

## Mode d'Emploi

(Traduction des Instructions Originales)

## Instrucciones de Empleo

(La Traducción de las Instrucciones Originales)

## Istruzione per l'Uso

(Traduzione delle Istruzioni Originali)

## Instrukcja obsługi

(Tłumaczenie oryginalnej instrukcji)

## Инструкция по эксплуатации

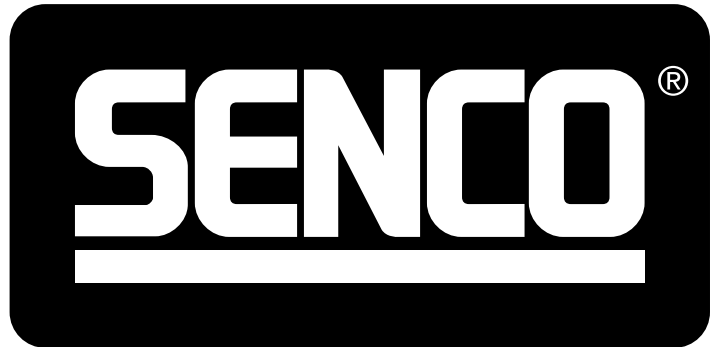
(Перевод оригинальной инструкции)

## Kullanma Talimatları

(Orijinal talimatların çevirisi)



**WARNING:** Please read the instructions and warnings for this tool carefully before use. Failure to do so could lead to serious injury.



KYOCERA SENCO Netherlands B.V.

Pascallaan 88

8212 NJ Lelystad, The Netherlands

+31 320 295 575

senco.com

EMEA: senco.eu

NFE2SN1112019

<b>EN</b>	English	3
<b>DE</b>	Deutsch	13
<b>NL</b>	Nederlands	23
<b>FR</b>	Français	33
<b>FI</b>	Suomi	43
<b>NO</b>	Norsk	53
<b>SE</b>	Svenska	63
<b>DK</b>	Dansk	73
<b>ES</b>	Español	83
<b>IT</b>	Italiano	93
<b>PL</b>	Polski	103
<b>RU</b>	Русский	113
<b>TR</b>	Türkçe	123

## TABLE OF CONTENTS

Employer's Responsibilities.....	3
General Description.....	3
Warnings .....	3
Safety Warnings .....	4
Tool Use.....	6
Maintenance.....	8
Troubleshooting.....	8
Technical Data .....	9
Nail Range.....	10
Noise Information .....	11
Accessories .....	11
Declaration Of Conformity .....	132
Limited Warranty .....	134

### EMPLOYER'S RESPONSIBILITIES



It is the employer's responsibility to assure this manual is read and understood by all personnel assigned to use the tool. Keep this manual available for future reference. Risk assessment and implementation of appropriate controls for all hazards are essential.

### WORKPLACE HAZARDS

The following apply:

- Slips, trips and falls are major causes of workplace injury. Be aware of slippery surfaces caused by use of the tool and also of trip hazards caused by the airline hose.
- Proceed with additional care in unfamiliar surroundings. Hidden hazards may exist, such as electricity or other utility lines.
- This tool is not intended for use in potentially explosive atmospheres and is not insulated from coming into contact with electric power.
- Make sure there are no electrical cables, gas pipes etc. that could cause a hazard if damaged by use of the tool.

### DUST AND EXHAUST HAZARDS

If the tool is used in an area where there is static dust, it may disturb the dust and cause a hazard.

The following apply:

- Risk assessment should include dust created by the use of the tool and the potential for disturbing existing dust.
- Direct the exhaust so as to minimize disturbance of dust in a dust filled environment.
- Where dust or exhaust hazards are created, the priority shall be to control them at the point of emission.

### GENERAL DESCRIPTION

- Hand-held power fastener driving tool consisting of a pneumatic power unit, guide body and magazine in which energy is applied in a linear movement to a loaded fastener for the purpose of driving the fastener into defined materials unless using a specialized fastener intended for use in concrete or steel.
- Any other use is forbidden.

### WARNINGS

Tools with symbol shall only be used for production applications. Any other use is forbidden.



- Do not rest your finger on the trigger when picking up the tool, moving between operating areas and positions or walking, as resting finger on trigger can lead to inadvertent operation. For tools with selective actuation, always check the tool before use to ascertain the correct mode is selected.
- This tool has either selective actuation for contact actuation or continuous contact actuation by actuation mode selectors or is a contact actuation or continuous actuation contact tool and has been marked with the symbol above. Its intended uses are for production applications such as pallets, furniture, manufactured housing, upholstery and sheathing.
- If using this tool in selective actuation mode, always ensure it is in the correct actuation setting.
- Do not use this tool in contact actuation for applications such as closing boxes or crates and fitting transportation safety systems on trailers and lorries.
- Be careful when changing from one driving location to another.

## SAFETY WARNINGS

• Read and understand these warnings to prevent injuries to yourself and bystanders. Refer to tool use, maintenance and troubleshooting sections for additional information.



- Failure to follow warnings could result in serious injury.
- Do not discard.

• Operators and others in work area shall wear impact-resistant eye protection with side shields. Failure to do so can cause serious injury. CE equivalent to EN166



• Always wear other personal protective equipment such as hearing, gloves and hard hat.



- Only wear gloves that provide adequate feel and safe control of triggers and adjusting devices.
- Operators and others in work area shall wear hearing protection.
- Unprotected exposure to high noise levels can cause permanent, disabling, hearing loss and other problems such as tinnitus (ringing, buzzing, whistling or humming in the ears).
- Appropriate controls to reduce the risk may include actions such as damping materials to prevent workpieces from “ringing”.
- Use appropriate hearing protection.
- Operate and maintain the tool as recommended in these instructions, to prevent an unnecessary increase in noise levels.
- If the tool has a silencer, always ensure it is in place and in good working order when the tool is being operated.

• Exposure to vibration can cause disabling damage to the nerves and blood supply of the hands and arms.



- Wear warm clothing when working in cold conditions, keep your hands warm and dry.
- If you experience numbness, tingling, pain or whitening of the skin in your fingers or hands, seek medical advice from a qualified occupational health professional regarding overall activities.
- Operate and maintain the tool as recommended in these instructions, to prevent an unnecessary increase in vibration levels.
- Hold the tool with a light, but safe, grip because the risk from vibration is generally greater when the grip force is higher.

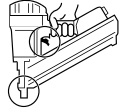
• Stay alert, watch what you are doing, and use common sense when operating a power tool. Do not use tool while tired or under the influence of drugs, alcohol, or medication. A moment of inattention while operating power tools may result in serious personal injury.

- Only use correct energy supply as directed
- Never use oxygen, carbon dioxide or any other bottled gas as a power source for this tool; the tool will explode and cause serious injury.



- Using oxygen or combustible gases for pneumatic tools creates a fire or explosion hazard.

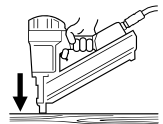
• Always remove finger from trigger when not driving fasteners. Never carry the tool with finger on or under trigger. Tool will eject a fastener if the workpiece contact is bumped.



- Tool's resting position is on its side disconnected from air.
- Resting position includes removing finger from trigger and positioning tool so that the workpiece contact is not actuated.

- Always assume the tool contains fasteners. Keep the tool pointed away from yourself and others. No horseplay.
- Respect the tool as a working implement.
- Keep hands and legs away from firing direction.
- Only skilled operators should use fastener driving tools.

• Drive fasteners into work surface only; never into materials too hard to penetrate.



- Addition downforce is required for steel and concrete tools.
- During operation, debris from workpiece & collation system may be discharged.
- Ensure tool is always safely engaged on the workpiece and cannot slip.

• Tools equipped with “Contact Actuation” shall not be used:

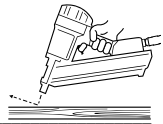
- If a change of driving locations is effected via stairs, ladders or scaffolding.
- For closing boxes or crates.
- For fitting transportation safety systems.
- Moving platforms



• Read and understand risk associated with selective actuation in “Tool Use” Section.

- Do not force tool. Let the tool do the work. Use the correct tool for your application. The correct tool will do the job better and safer at the rate for which it is designed.
- Do not overreach
- Keep proper footing and balance at all times.

- Do not drive fasteners on top of other fasteners or with the tool at too steep of an angle.
- Fastener could deflect and cause injury.



- When using tool, care should be taken due to possibility of tool recoil after a fastener is driven. If workpiece contact is unintentionally allowed to re-contact work surface following a recoil, an unwanted fastener will be driven. Therefore, allow tool to recoil completely off work surface after a fastener is driven to avoid this condition. Do not push workpiece contact on work surface until a second fastener is desired.



- Hold the tool correctly with a firm grasp and be prepared to counteract and manage normal or sudden movements such as recoil. Grip should be safe but appropriate to reduce vibration hazard which can cause serious injury.
- Maintain a balanced body position and secure footing.
- Be careful when using pneumatic tools as the tool becomes cold. This can affect grip and control.

- Do not drive fasteners close to the edge of the work surface.
- The fastener could deflect and cause injury.
- Keep bystanders away.
- Clearly mark off your operating area.

- Disconnect tool from air before doing tool maintenance, clearing a jammed fastener, making adjustments, leaving work area, moving tool to another location, or handing the tool to another person.



- Tool may eject a fastener when connected to air supply; therefore, ① remove all fasteners from tool before attaching air hose.
- Be careful when handling fasteners when loading/unloading. Fasteners have sharp points.

- Never use tool if workpiece contact, trigger or springs have become inoperable, missing or damaged. Do not tamper with or remove workpiece contact, trigger, or springs.
- Modifications may reduce the effectiveness of safety measures and increase risk to operator/bystanders.
- Do not use tool if tool has been damaged.

- Make sure all screws and caps are securely tightened at all times. Make daily inspections for free movement of trigger and workpiece contact. Never use the tool if parts are missing, worn or damaged.
- Always use second handle (if supplied)

- Use only parts, fasteners, lubricants and accessories recommended or sold by SENCO. Do not modify tool without authorization from SENCO.

- Use only clean, dry, regulated compressed air at recommended pressure.
- Always shut off air supply and disconnect tool when not in use.

- Tools shall not be connected to pressure which potentially exceeds maximum operating pressure by 10%.
- Do not exceed the maximum operating pressure Ps max.

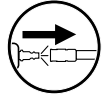
- Tools marked with an inverted triangle may not be used unless fitted with an effective workpiece contact.



- Tools without workpiece contact can be fired unintentionally, causing injury.

- Stands for mounting tools to a support shall be designed and constructed by the stand manufacturer in such a way that the tool can be safely affixed for the intended use.

- The tool and air supply hose must have a connecting nipple such that all pressure is removed from the tool when the coupling joint is disconnected.
- Compressed air can cause severe injury.
- Always disconnect the tool from the compressed air supply before changing accessories, making adjustments and/or repairs or when moving away from an operating area to a different area.
- Never direct compressed air at yourself or anyone else
- Whipping hose can cause severe injury – always check for damaged or loose hose.



- Do not load fasteners with trigger or workpiece contact depressed.

- Do not use tool without danger label on tool. If label is missing, damaged or unreadable, contact your SENCO representative to obtain a new label.



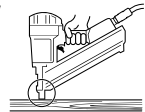
- Never use a tool that leaks air or needs repair.
- Do not use if the tool is damaged.
- Never carry or drag a pneumatic tool by its hose.

- Do not perform any “emergency repairs” without proper tools and equipment.
- Always check tool before use for broken, misconnected, loose or worn parts.



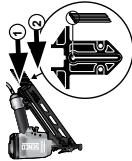


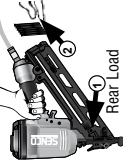

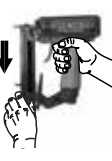
Written approval of the tool manufacturer must be obtained prior to making any modifications to tool.

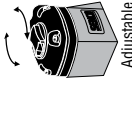

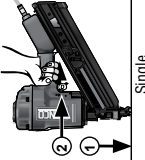
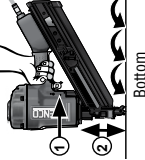

- Keep hands and other body parts away from the area shown in the circle to avoid possible injury during operation.
- Keep fingers away from trigger when not operating the tool and when moving from one operating position to another.



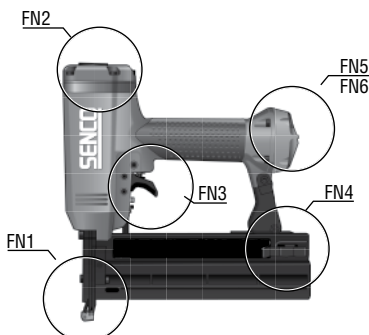
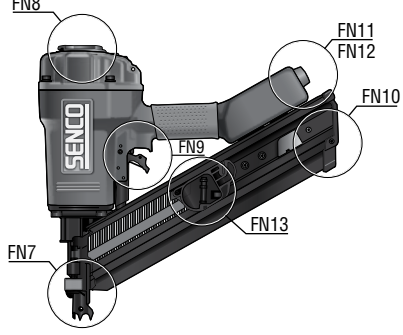
## TOOL USE

Tool	Loading	Unloading	Exhaust	Trigger Type	Depth of Drive Adjustment	Jam Clearing	Safety element	Lube
SN90CXP			Adjustable (C1)	Bottom fire (D2)		Via magazine		Required
SN90FXP			Front	Single Sequential (D1)	Adjustable			Oil Free
FramePro601			Adjustable (C1)	Bottom fire (D2)				Required
FramePro651			Front	Single Sequential (D1)				Oil Free
SN1602			Adjustable (C1)	Bottom fire (D2)				Required
SN1302			Front	Single Sequential				Oil Free
S900FN	Rear Load (A1)	Release the feeder shoe and slide it forward (B1)	Front- Push button integrated air duster	Selectable				Required
SidingPro40			Adjustable (C1)	Single Sequential (D1)				Oil Free
FinishPro42XP			Adjustable (C1)	Selectable				Required
FinishPro16XP			Adjustable- Push button integrated air duster	Single Sequential (D1)				Oil Free
FinishPro30XP			Adjustable- Push button integrated air duster	Selectable				Oil Free
S250FN			Front	Single Sequential (D1)	None			Oil Free
FinishPro35Mg			Front	Single Sequential (D1)	None			Oil Free
SLP20XP			Front	Single Sequential (D1)	None			Oil Free
SLP20XP GLN			Rear (C2)	Bottom fire (D2)	None			Oil Free
SBM10XP			Front	Single Sequential (D1)	None	Via magazine		Required
FinishPro25XP			Front	Bottom fire (D2)	None			Oil Free
FinishPro18Mg	Side Load (A2)	Push Latch and slide rail open (B2)	Rear (C2)	Bottom fire (D2)				Required
S200BN			Front	Single Sequential (D1)	Adjustable	EZ-Clear Gate (F1)		Oil Free
S200SM			Rear (C2)	Bottom fire (D2)				Required
FinishPro23SXP			Front	Single Sequential (D1)				Oil Free
FinishPro23LXP			Rear (C2)	Bottom fire (D2)				Required
FinishPro21LXP			Front	Single Sequential (D1)				Oil Free
FinishPro10	Bottom Load (A3)	Push Latch and slide rail open (B3)	Rear (C2)	Bottom fire (D2)				Required
LS1XP			Front	Single Sequential (D1)	None	Via magazine	None	Oil Free

Matrix Picture no.	Description	Image Notes
A1	 <p>Rear Load</p>	<p>Do not load with trigger depressed</p> <ol style="list-style-type: none"> <li>1 Connect air supply</li> <li>2 Insert Strip of nails - use only genuine SENCO fasteners</li> </ol>
A2	 <p>Side Load</p>	<p>Do not load with trigger depressed</p> <ol style="list-style-type: none"> <li>1 Connect air supply</li> <li>2 Insert Strip of nails - use only genuine SENCO fasteners</li> </ol>
A3	 <p>Bottom Load</p>	<p>Depress latch, Slide rail open Place strip of fasteners into magazine with points facing direction shown Do not load with trigger depressed then points 1 (depress Latch) and 2 (place strips)</p>
B1	 <p>Rear Load</p>	<ol style="list-style-type: none"> <li>1 Release the feeder shoe and slide it forward.</li> <li>2 Remove fasteners from the tool</li> </ol>
B2	 <p>Side Load</p>	<p>Push Latch and slide rail open, remove fasteners</p>
B3	 <p>Bottom Load</p>	<p>Push Latch and slide rail open, remove fasteners</p>

Matrix Picture no.	Description	Image Notes
C1	 <p>Adjustable</p>	<p>The deflector can be rotated to change the direction of the exhaust air</p>
C2	 <p>Rear, Adjustable</p>	<p>The deflector can be rotated to change the direction of the exhaust air</p>
D1	 <p>Single</p>	<ol style="list-style-type: none"> <li>1 Press the workpiece contact (safety element) against the work surface.</li> <li>2 Pull the trigger and the fastener is driven.</li> </ol>
D2	 <p>Bottom</p>	<ol style="list-style-type: none"> <li>1 Pull trigger.</li> <li>2 Depress workpiece contact element against work surface and drive a fastener.</li> </ol> <p>Each time you push the workpiece contact (safety element) against the work surface, a fastener is driven.</p>
F1	 <p>Gate</p>	<p>Release E-Z Clear latch and open door.</p>

**TOOL ELEMENTS**

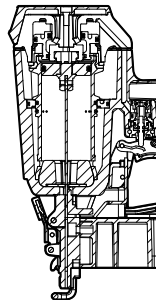
<p>Finish Nailer</p>  <table border="0"> <tr><td>FN1</td><td>Workpiece Contact</td></tr> <tr><td>FN2</td><td>Exhaust</td></tr> <tr><td>FN3</td><td>Trigger</td></tr> <tr><td>FN4</td><td>Magazine</td></tr> <tr><td>FN5</td><td>Inlet</td></tr> <tr><td>FN6</td><td>Exhaust Rear</td></tr> </table>	FN1	Workpiece Contact	FN2	Exhaust	FN3	Trigger	FN4	Magazine	FN5	Inlet	FN6	Exhaust Rear	<p>Framing Nailer</p>  <table border="0"> <tr><td>FN7</td><td>Workpiece Contact</td></tr> <tr><td>FN8</td><td>Exhaust</td></tr> <tr><td>FN9</td><td>Trigger</td></tr> <tr><td>FN10</td><td>Magazine</td></tr> <tr><td>FN11</td><td>Inlet</td></tr> <tr><td>FN12</td><td>Exhaust Rear</td></tr> <tr><td>FN13</td><td>Feeder Shoe</td></tr> </table>	FN7	Workpiece Contact	FN8	Exhaust	FN9	Trigger	FN10	Magazine	FN11	Inlet	FN12	Exhaust Rear	FN13	Feeder Shoe
FN1	Workpiece Contact																										
FN2	Exhaust																										
FN3	Trigger																										
FN4	Magazine																										
FN5	Inlet																										
FN6	Exhaust Rear																										
FN7	Workpiece Contact																										
FN8	Exhaust																										
FN9	Trigger																										
FN10	Magazine																										
FN11	Inlet																										
FN12	Exhaust Rear																										
FN13	Feeder Shoe																										

**MAINTENANCE**

**Warning**

- Repairs other than those described here should be performed only by trained, qualified personnel. Contact Senco for information at: +31 320 295 575.
  - Read section titled "Safety Warnings" before maintaining tool.
  - Only use spare parts specified by manufacturer or authorized representative.
- 
- All screws should be kept tight. Loose screws result in unsafe operation and parts breakage.
  - Check monthly
- 
- With tool disconnected, make daily inspection to assure free movement of workpiece contact and trigger. Do not use tool if workpiece contact or trigger sticks or binds.
- 
- Squirt Senco pneumatic oil (5 to 10 drops) into the air inlet twice daily (depending on frequency of tool use). Other oils may damage O-rings and other tool parts.
  - Some Senco tools are Oil Free and DO NOT require oil, Check label.
- 
- Wipe tool clean daily and inspect for wear. Use non-flammable cleaning solutions only if necessary.
  - **Do Not Soak.**
  - **Caution:** Such solutions may damage O-rings and other tool parts.
  - Dispose of cleaning materials properly.

**TROUBLE SHOOTING**



**Should Staple Jam Occur:**

- Disconnect Air Supply
- Remove Fasteners
- Clear the Jam
- Follow loading Procedure

<b>1</b>	<p><b>SYMPTOM</b> Air leak near top of tool. / Sluggish operation</p> <p><b>SOLUTION</b> Verify air supply / tighten screws or install Repair Kit – See Parts Manual</p>
<b>2</b>	<p><b>SYMPTOM</b> Air leak near bottom of tool / Poor return.</p> <p><b>SOLUTION</b> Clean tool / tighten screws or install Repair Kit See Parts Manual</p>
<b>3</b>	<p><b>SYMPTOM</b> Other problems.</p> <p><b>SOLUTION</b> Contact Senco.</p>



**TECHNICAL DATA**

Tool Type	Minimum to maximum operating pressure	Air Consumption (60 cycles per minute) litre	Air Inlet	Maximum Speed (cycles per second)	Weight Kg	Nail Capacity	Tool size: Height mm	Tool size: Length mm	Tool size: Width: Main Body mm
<b>XtremePro Series</b>									
SLP20XP	4,8-8,3 bar	52,7	1/4 in NPT	5	1,0	110	210	241	50
SLP20XP GLN	4,8-8,3 bar	52,7	1/4 in NPT	5	1,0	110	210	241	50
SBN10XP	4,5-7,0 bar	19,0	1/4 in NPT	2	0,96	105	167	255	42
LS1XP	4,8-7,5 bar	23,1	1/4 in NPT	5	1,3	100	197	211	51
FinishPro25XP	4,8-8,3 bar	52,7	1/4 in NPT	5	1,2	110	251	249	56
FinishPro30XP	4,8-8,3 bar	61,0	1/4 in NPT	5	1,73	104	244	305	83
FinishPro42XP	4,8-8,3 bar	133,0	1/4 in NPT	5	2,1	104	292	330	89
SN90CXP	4,8-8,3 bar	283,2	3/8 in NPT	2	3,62	70	337	384	106
SN90FXP	4,8-8,3 bar	283,2	3/8 in NPT	2	3,81	60	337	508	106
FinishPro23SXP	4,8-6,9 bar	31,0	1/4 in NPT	5	1,1	100	192	200	44
FinishPro23LXP	4,8-7,6 bar	31,0	1/4 in NPT	5	1,2	100	226	200	44
FinishPro21LXP	4,8-7,6 bar	31,0	1/4 in NPT	5	1,43	100	226	200	44
<b>Pro Series</b>									
FinishPro10	4,8-6,5 bar	21,6	1/4 in NPT	2	1,1	110	168	229	44
FinishPro18Mg	4,8-8,3 bar	68,0	1/4 in NPT	5	1,1	110	247	266	64
FinishPro16XP	4,8-8,3 bar	61,2	1/4 in NPT	3	1,9	110	292	308	81
FinishPro35Mg	4,8-8,3 bar	62,0	1/4 in NPT	5	1,9	110	311	330	86
FramePro601	4,8-8,3 bar	283,2	3/8 in NPT	2	3,62	70	337	384	106
FramePro651	4,8-8,3 bar	311,5	3/8 in NPT	2	3,81	70	362	384	106
SidingPro40	4,8-8,3 bar	172,8	3/8 in NPT	4	2,13	70	323	351	86
SN1602	5,5-8,3 bar	255,0	3/8 in NPT	2	6,2	50-56	478	533	144
SN1302	5,5-8,3 bar	297,0	3/8 in NPT	2	7,0	48-56	500	560	140
<b>SemiPro Series</b>									
S200BN	4,8-8,3 bar	21,6	1/4 in NPT	5	1,4	107	232	251	68
S200SM	4,8-8,3 bar	88,3	1/4 in NPT	5	1,43	85	252	240	68
S250FN	4,8-8,3 bar	128,0	1/4 in NPT	4	2,25	100	303	346	85
S900FN	4,8-8,3 bar	273,8	3/8 in NPT	2	4,2	80	380	500	154

## NAIL RANGE

Tool Type	Nail Type in mm																
	0,68	0,84	1,2		1,6	1,8	2,3		2,9		3,1		3,3		3,8	4,2	4,6
			Reg Head	Slight Head			Head-less	Smooth	Ring	Screw	Smooth	Ring	Screw	Smooth			
SN1602																	
SN1302																	
SN90CXP																	
SN90FXP																	
FramePro601																	
FramePro651																	
S900FN																	
SidingPro40																	
FinishPro42XP								45-60									
FinishPro30XP								32-63									
FinishPro35Mg								25-50									
S250FN								32-63									
SLP20XP																	
SLP20XP GLIN																	
FinishPro10	12-25																
SBN10XP																	
LS1XP																	
FinishPro25XP																	
FinishPro18Mg																	
S200BN																	
FinishPro16XP																	
S200SM																	
FinishPro23SXP	12-35																
FinishPro23LXP	12-50																
FinishPro21LXP		15-50															

## NOISE INFORMATION

**Noise Information**  
in accordance with  
EN12549

These values are tool-related characteristic values and do not represent noise developed at the point of use. Workplace design can also serve to reduce noise levels, for example placing workpiece on sound-damping supports.

**Vibration Information**  
in accordance with  
ISO8662-11

This value is a tool-related characteristic value and does not represent the influence to the handarm-system when using the tool.

Tool Type	Sound pressure level (Lpa) dB	Sound power level (Lwa) dB	Vibration level m/s <sup>2</sup>
<b>XtremePro Series</b>			
SLP20XP	83	89	1.18
SLP20XP GLN	83	89	1.18
SBN10XP	78.6	87.77	1.7
LS1XP	84	89	<2.5
FinishPro25XP	89	94	<2.5
FinishPro30XP	85	98	<2.5
FinishPro42XP	89	94	<2.5
SN90CXP	96	101	4
SN90FXP	96	101	4
FinishPro23SXP	47.8	60.8	1.63
FinishPro23LXP	47.8	60.8	1.63
FinishPro21LXP	47.8	60.8	1.63
<b>Pro Series</b>			
FinishPro10	81	86	<2.5
FinishPro18Mg	68	78.8	<2.5
FinishPro16XP	93.7	106.7	<2.5
FinishPro35Mg	87.6	93.2	2.9
FramePro601	96	101	3.7
FramePro651	97	101	3.67
SidingPro40	84	97	2.6
SN1602	95.9	132	8.3
SN1302	93	106	4
<b>SemiPro Series</b>			
S200BN	91	104	<2.5
S200SM	91	104	<2.5
S250FN	91	104	<2.5
S900FN	85	90	2.5

## ACCESSORIES

SENCO offers a full line of accessories for your SENCO tools, including:

- Air Compressors
- Hose
- Couplers
- Fittings
- Safety Glasses
- Pressure Gauges
- Lubricants
- Regulators
- Filters



For more information or a complete illustrated catalogue of SENCO accessories, visit [SENCO.EU](http://SENCO.EU).



## INHALTSVERZEICHNIS

Verantwortung des Arbeitgebers .....	13
Allgemeine Beschreibung.....	13
Gefahrenhinweise.....	13
Sicherheitshinweise.....	14
Gebrauch des Werkzeugs.....	16
Wartung.....	18
Störungen beheben.....	18
Technische Daten.....	19
Naglersortiment.....	20
Angaben zum Lärmpegel.....	21
Zubehör.....	21
Konformitätserklärung.....	132
Eingeschränkte Garantie.....	134

### VERANTWORTUNG DES ARBEITGEBERS



Der Arbeitgeber ist dafür verantwortlich sicherzustellen, dass alle Mitarbeiter, die mit dem Werkzeug arbeiten sollen, diese Anweisungen gelesen und verstanden haben. Halten Sie die

Anweisungen zum Nachschlagen griffbereit. Risikobewertungen und die Einführung angemessener Kontrollen hinsichtlich aller Gefahren sind unerlässlich.

#### GEFAHREN AM ARBEITSPLATZ

Es gilt:

- Hauptursachen für Arbeitsunfälle sind Ausrutschen, Stolpern und Stürze. Achten Sie auf rutschige Oberflächen, die durch die Verwendung des Werkzeugs verursacht werden, sowie auf die vom Druckluftschlauch ausgehende Stolpergefahr.
- Gehen Sie in Umgebungen, die Sie nicht kennen, besonders vorsichtig vor. Es könnten versteckte Gefahrenquellen wie Strom- oder andere Versorgungsleitungen vorliegen.
- Dieses Werkzeug ist nicht für den Einsatz in explosionsgefährdeten Bereichen vorgesehen und nicht gegen den Kontakt mit elektrischer Energie isoliert.
- Achten Sie darauf, dass keine elektrischen Kabel, Gasleitungen usw. vorhanden sind, die bei Beschädigung durch den Einsatz des Werkzeugs eine Gefahr darstellen können.

#### GEFAHREN DURCH STAUB UND ABLUFT

Wenn das Werkzeug in einem Bereich mit Staubablagerungen eingesetzt wird, kann es den Staub aufwirbeln und dadurch Gefahren verursachen.

Es gilt:

- Bei der Risikobewertung sollten der Staub, der durch den Einsatz des Werkzeugs entsteht, und das Potenzial zum Aufwirbeln bereits vorhandenen Staubs berücksichtigt werden.
- Richten Sie in einer staubbelasteten Umgebung die Abluft so aus, dass möglichst wenig Staub aufgewirbelt wird.
- Beim Auftreten von Gefahren durch Staub oder Abluft sind diese vorrangig am Ort der Emission zu bekämpfen.

### ALLGEMEINE BESCHREIBUNG

- Tragbares Eintreibwerkzeug für Nägel, bestehend aus einer pneumatischen Antriebseinheit, einer Nagelführung und einem Magazin, in dem Energie in einer linearen Bewegung auf einen Nagel im Magazin aufgebracht wird, um den Nagel in bestimmte Materialien einzutreiben, es sei denn, es wird ein spezieller Nagel für die Verwendung in Beton oder Stahl verwendet.
- Jede sonstige Verwendung ist unzulässig.

### WARNHINWEISE

Mit diesem Symbol gekennzeichnete Werkzeuge dürfen nur für Produktionsanwendungen verwendet werden. Jede sonstige Verwendung ist unzulässig.

- Nehmen Sie beim Anheben des Werkzeugs, beim Wechseln des Arbeitsbereichs oder der Arbeitshaltung und beim Gehen den Finger vom Auslöser, weil das Werkzeug sonst unbeabsichtigt ausgelöst werden kann. Überprüfen Sie bei Werkzeugen mit wählbarer Auslöseeinstellung vor der Verwendung immer, ob der richtige Modus eingestellt ist.
- Dieses Werkzeug weist entweder eine selektive Auslösung über Betriebsartenwahlschalter für Kontaktauslösung oder kontinuierliche Kontaktauslösung auf oder ist ein Werkzeug mit Kontaktauslösung oder kontinuierlicher Kontaktauslösung und wurde mit dem obigen Symbol gekennzeichnet. Es ist für die Verwendung in Produktionsanwendungen für Paletten, Möbel, Fertiggehäuse, Polster und Verkleidungen vorgesehen.
- Bei Verwendung dieses Werkzeugs im selektiven Auslösemodus ist immer sicherzustellen, dass die richtige Auslöseeinstellung eingestellt ist.
- Verwenden Sie dieses Werkzeug für Anwendungen wie das Schließen von Kästen oder Kisten und die Montage von Transportsicherungen auf Anhängern und Lastkraftwagen nicht mit Kontaktauslösung.
- Gehen Sie beim Wechseln von einer Eintreibsstelle zur nächsten vorsichtig vor.



## SICHERHEITSHINWEISE

• Lesen und verstehen Sie diese Gefahrenhinweise, um Verletzungen von sich selbst und umstehenden Personen zu vermeiden. Weitere Informationen finden Sie in den Abschnitten „Gebrauch des Werkzeugs“, „Wartung“ und „Störungen beheben“.



- Bei Missachtung der Gefahrenhinweise besteht schwere Verletzungsgefahr.
- Bewahren Sie die Hinweise auf.

• Der Bediener und andere Personen im Arbeitsbereich müssen stoßfeste Sicherheitsbrillen mit Seitenschilfen tragen. Bei Missachtung besteht schwere Verletzungsgefahr. CE-Äquivalent mit EN166



• Tragen Sie immer andere persönliche Schutzausrüstung wie Gehörschutz, Sicherheitshandschuhe und Schutzhelm.



• Tragen Sie nur Handschuhe, die ein angemessenes Gefühl und eine sichere Bedienung von Auslöser und Einstellvorrichtungen gewährleisten.



- Der Bediener und andere Personen im Arbeitsbereich müssen Gehörschutz tragen.
- Ungeschützte Exposition gegenüber hohen Lärmpegeln kann zu einem dauerhaften Verlust des Hörvermögens und anderen Problemen wie Tinnitus (Klingeln, Pfeifen oder Summen in den Ohren) führen.
- Geeignete Kontrollmaßnahmen zur Risikominderung könnten sich auf die Verwendung von Dämpfungsmaterialien erstrecken, um zu verhindern, dass Werkstücke Geräusche verstärken.
- Angemessenen Gehörschutz verwenden.
- Betreiben und warten Sie das Gerät wie in dieser Anleitung empfohlen, um einen unnötigen Anstieg des Geräuschpegels zu vermeiden.
- Wenn das Werkzeug über einen Schalldämpfer verfügt, stellen Sie immer sicher, dass dieser angebracht und in gutem Zustand ist, wenn das Werkzeug in Betrieb genommen wird.

• Vibrationen können zu einer Beeinträchtigung der Nerven und der Blutversorgung in Händen und Armen führen.



• Tragen Sie beim Arbeiten in kalter Umgebung warme Kleidung, halten Sie Ihre Hände warm und trocken.



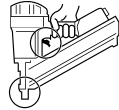
- Wenn Sie Taubheitsgefühle, Kribbeln, Schmerzen oder Bleichheit der Haut an Ihren Fingern oder Händen verspüren, konsultieren Sie einen qualifizierten Arbeitsmediziner bezüglich Ihrer allgemeinen Tätigkeiten.
- Betreiben und warten Sie das Gerät wie in dieser Anleitung empfohlen, um unnötig starke Vibrationen zu vermeiden.
- Halten Sie das Werkzeug mit einem leichten, aber sicheren Griff, da das von Vibrationen ausgehende Risiko im Allgemeinen bei höherer Greifkraft größer ist.

- Bleiben Sie wachsam, achten Sie darauf, was Sie tun, und wenden Sie beim Bedienen von Elektrowerkzeugen gesunden Menschenverstand an. Arbeiten Sie nicht mit dem Werkzeug, wenn Sie müde sind oder unter dem Einfluss von Drogen, Alkohol oder Medikamenten stehen. Eine kurze Phase der Unaufmerksamkeit kann beim Bedienen von Elektrowerkzeugen zu schweren Verletzungen führen.

- Verwenden Sie ausschließlich die vorgeschriebene Energieversorgung.
- Verwenden Sie niemals Sauerstoff, Kohlendioxid oder andere Flaschengase als Energiequelle für dieses Werkzeug, weil das Werkzeug dadurch explodieren und schwere Verletzungen verursachen würde.
- Die Verwendung von Sauerstoff oder brennbaren Gasen in pneumatisch angetriebenen Werkzeugen führt zu Brand- und Explosionsgefahr.

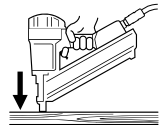


- Nehmen Sie immer den Finger vom Abzug, wenn Sie keine Nägel eintreiben. Tragen Sie das Werkzeug niemals mit dem Finger auf oder unter dem Auslöser. Das Werkzeug wirft ein Befestigungsmittel an, wenn der Kontaktauslöser angestoßen wird.
- Außerhalb der Betriebszeiten ist das Werkzeug in Seitenlage und von der Druckluft getrennt zu lagern.
- In der Ruheposition muss auch der Finger vom Auslöser genommen und das Werkzeug so positioniert werden, dass der Kontaktauslöser nicht betätigt wird.



- Gehen Sie immer davon aus, dass das Werkzeug mit Nägeln bestückt ist. Richten Sie das Werkzeug niemals auf sich selbst oder andere Personen. Nehmen Sie die Gefahr ernst. Respektieren Sie das Werkzeug als Arbeitsgerät.
- Halten Sie Hände und Beine aus der Schussrichtung.
- Das Werkzeug zum Eintreiben von Nägeln darf nur durch geschultes Fachpersonal gehandhabt werden.

- Treiben Sie Nägel ausschließlich in Arbeitsflächen und niemals in Materialien mit zu harter Oberfläche ein.
- Bei Stahl- und Betonwerkzeugen ist zusätzlicher Anpressdruck erforderlich.
- Während des Betriebs werden möglicherweise Bruchstücke des Werkstücks und des Trägersystems ausgeworfen.
- Achten Sie darauf, dass das Werkzeug immer sicher auf dem Werkstück aufliegt und nicht abrutschen kann.



• In den folgenden Situationen darf kein Werkzeug mit „Kontaktauslösung“ verwendet werden:

- Wenn das Wechseln von einer Eintreibstelle zur anderen über Treppen, Leitern oder Gerüste erfolgt.
- Beim Schließen von Kästen oder Kisten.
- Beim Befestigen von Transportsicherungen.
- Bewegliche Arbeitsbühnen



• Lesen und verstehen Sie das mit dem selektiven Auslösen verbundene Risiko im Abschnitt „Gebrauch des Werkzeugs“.

- Üben Sie keine Gewalt auf das Werkzeug aus. Lassen Sie das Werkzeug die Arbeit verrichten. Verwenden Sie das passende Werkzeug für Ihre Anwendung. Das passende Werkzeug erledigt die Arbeit besser und sicherer mit der Geschwindigkeit, für die es ausgelegt ist.
- Nicht zu weit vorlehnen
- Achten Sie jederzeit darauf, sicher und im Gleichgewicht zu stehen.

- Treiben Sie keine Befestigungsmittel aufeinander oder mit einem für das Werkzeug zu großen Winkel ein.
- Der Nagel könnte abrutschen und Verletzungen verursachen.



- Seien Sie bei der Verwendung des Werkzeugs auf einen Rückstoß des Werkzeugs nach dem Eintreiben des Nagels gefasst. Wenn der Kontaktauslöser nach einem Rückstoß unbeabsichtigt wieder mit der Arbeitsfläche in Kontakt gerät, wird unkontrolliert ein Befestigungsmittel eingetrieben. Lassen Sie also zu, dass das Werkzeug durch den Rückstoß komplett vom Werkstück abgehoben wird, um derartige Ereignisse zu vermeiden. Drücken Sie den Kontaktauslöser erst dann wieder auf die Arbeitsfläche, wenn ein weiterer Nagel eingetrieben werden soll.



- Halten Sie das Werkzeug korrekt mit festem Griff und seien Sie bereit, normalen oder plötzlichen Bewegungen wie z. B. Rückschlägen entgegenzuwirken und sie aufzufangen. Der Griff sollte sicher, aber geeignet sein, um die Gefahr von Vibrationen zu verringern, die schwere Verletzungen verursachen können.
- Achten Sie darauf, im Gleichgewicht und sicher zu stehen.
- Seien Sie bei der Arbeit mit pneumatischen Werkzeugen vorsichtig, weil diese kalt werden. Dadurch können Ihr Griff und Ihre Kontrolle über das Werkzeug beeinträchtigt werden.

- Treiben Sie keine Nägel in unmittelbarer Nähe zur Kante der Arbeitsfläche ein.
- Das Befestigungsmittel könnte abprallen und Verletzungen verursachen.
- Unbeteiligte Personen müssen einen Sicherheitsabstand einhalten.
- Nehmen Sie eine deutliche Kennzeichnung Ihres Arbeitsbereichs vor.

- Trennen Sie das Werkzeug von der Druckluft, bevor Sie es warten, verklemmte Befestigungsmittel entfernen, Einstellungen am Werkzeug ändern, den Arbeitsbereich verlassen, das Werkzeug an einen anderen Standort transportieren oder das Werkzeug einer anderen Person übergeben.



- Das Werkzeug könnte einen Nagel auswerfen, wenn es an die Druckluftversorgung abgeschlossen wird. ☹ Entfernen Sie deshalb alle Nägel aus dem Werkzeug, bevor Sie die Druckluftleitung anschließen.
- Gehen Sie beim Laden/Entladen von Befestigungsmitteln vorsichtig vor. Die Befestigungsmittel sind spitz.

- Benutzen Sie das Werkzeug nie, wenn der Kontaktauslöser, Auslöser oder Federn funktionsuntüchtig sind, fehlen oder Schäden aufweisen. Sie dürfen den Kontaktauslöser, Auslöser oder die Federn nicht modifizieren oder entfernen.
- Modifikationen können die Wirksamkeit von Sicherheitsvorkehrungen beeinträchtigen und den Bediener und umstehende Personen einer erhöhten Gefahr aussetzen.
- Verwenden Sie das Werkzeug nicht, wenn es Schäden aufweist.

- Achten Sie darauf, dass alle Schrauben und Abdeckungen jederzeit fest angezogen sind. Inspizieren Sie den Auslöser und Kontaktauslöser täglich auf freie Beweglichkeit. Verwenden Sie das Werkzeug nie, wenn Teile fehlen, verschlissen oder beschädigt sind.
- Verwenden Sie immer den zweiten Griff (soweit enthalten).

- Verwenden Sie ausschließlich von SENCO empfohlene oder vertriebene Teile, Verbinder, Schmiermittel und Zubehörelemente. Nehmen Sie keine nicht von SENCO autorisierten Modifikationen des Werkzeugs vor.

- Verwenden Sie ausschließlich trockene, saubere und geregelte Druckluft mit dem empfohlenen Druck.
- Schalten Sie die Luftzufuhr immer ab und trennen sie vom Werkzeug, wenn Sie es nicht benutzen.

- Werkzeuge dürfen nicht mit einem Druck verbunden werden, der um mehr als 10 % über dem maximalen Betriebsdruck liegt.
- Überschreiten Sie den maximalen Betriebsdruck  $P_s$  max. nicht.

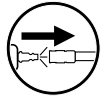
- Werkzeuge, die mit einem umgekehrten Dreieck gekennzeichnet sind, dürfen nur dann verwendet werden, wenn sie mit einem funktionsfähigen Kontaktauslöser ausgestattet sind.



- Werkzeuge ohne Kontaktauslöser könnten unbeabsichtigt ausgelöst werden und Verletzungen verursachen.

- Ständer für die Befestigung von Werkzeugen an einer Halterung müssen vom Ständerhersteller so konzipiert und konstruiert sein, dass das Werkzeug für den vorgesehenen Verwendungszweck sicher befestigt werden kann.

- Das Werkzeug und der Druckluftschlauch müssen einen Anschlussnippel aufweisen, bei dem durch Lösen der Kupplungsverbindung der gesamte Druck aus dem Werkzeug entfernt wird.



- Druckluft kann schwere Verletzungen verursachen.
- Trennen Sie das Werkzeug immer von der Druckluftversorgung, bevor Sie Zubehör austauschen, Einstellungen und/oder Reparaturen vornehmen oder sich von einem Arbeitsbereich in einen anderen Bereich bewegen.
- Richten Sie Druckluft niemals auf sich selbst oder andere Personen.
- Schlagende Schläuche können schweren Verletzungen verursachen – achten Sie jederzeit auf beschädigte oder lose Schläuche.

- Laden Sie das Werkzeug niemals mit Befestigungsmitteln, während der Auslöser oder Kontaktauslöser gedrückt sind.

- Verwenden Sie das Werkzeug nicht, wenn die Gefahrenhinweise auf dem Werkzeug fehlen. Wenn die Hinweise fehlen, beschädigt oder unleserlich sind, wenden Sie sich an Ihren SENCO-Vertreter, um ein neues Etikett anzufordern.



- Verwenden Sie niemals ein Werkzeug, aus dem Druckluft austritt oder das repariert werden muss.
- Verwenden Sie das Werkzeug nicht, wenn es Schäden aufweist.
- Tragen oder ziehen Sie ein pneumatisches Werkzeug niemals an der Luftleitung.

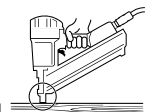
- Nehmen Sie keine provisorischen Reparaturen ohne angemessene Werkzeuge und Ausrüstung vor.



- Überprüfen Sie das Werkzeug vor dem Gebrauch immer auf gebrochene, falsch angeschlossene, lockere oder abgenutzte Teile.

Vor allen Änderungen am Werkzeug ist eine schriftliche Genehmigung des Werkzeugherstellers einzuholen.

- Halten Sie Hände und andere Körperteile von dem im Kreis abgebildeten Bereich fern, um Verletzungsrisiken während des Betriebs zu vermeiden.
- Halten Sie die Finger vom Auslöser fern, wenn Sie das Werkzeug nicht bedienen und wenn Sie von einer Arbeitshaltung in eine andere wechseln.





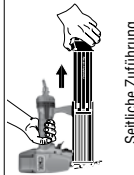
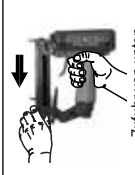


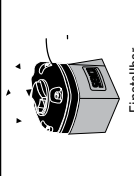
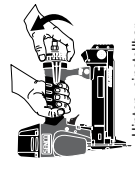
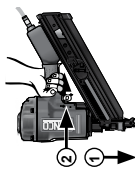
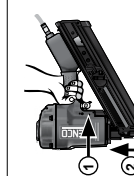

# GEBRAUCH DES WERKZEUGS

DE

Werkzeug	Laden	Entladen	Abluft	Auslösetyp	Einstellung der Eintreibhilfe	Staubesettigung	Sicherheitsleistung	Schmierarten
SN90CXP			Einstellbar (C1)	Abzug unten (D2)		Über das Magazin		§Obligatorisch
SN90FXP			Front	Einzel Sequentiell (D1)	Einstellbar			Öfrei
FramePro601			Einstellbar (C1)	Abzug unten (D2)				
FramePro651			Front	Einzel Sequentiell				
SN1602			Front	Wählbar				
SN1302			Front - Integrierter Luftreiniger mit Drucktaste	Einzel Sequentiell (D1)		EZ-Clear-Klappe (F1)	Sicherheitsleistung	Obligatorisch
S900FN	Zuführung von hinten (A1)	Führungsschuh freigeben und nach vorne schieben (B1)	Einstellbar (C1)					
SidingPro40			Front	Wählbar				
FinishPro42XP			Einstellbar (C1)	Einzel Sequentiell (D1)				
FinishPro16XP			Einstellbar (C1)					
FinishPro30XP			Einstellbar (C1)					
S250FN			Einstellbar - Integrierter Luftreiniger mit Drucktaste	Wählbar				
FinishPro35Mg								
SLP20XP			Front		Nicht vorhanden			Öfrei
SLP20XP GLN			Front	Einzel Sequentiell (D1)	Nicht vorhanden	Über das Magazin		Öfrei
SBN10XP			Hinten (C2)		Nicht vorhanden			Obligatorisch
FinishPro25XP			Front	Abzug unten (D2)				Öfrei
FinishPro18Mg		Auf Riegel drücken und Führung auschieben (B2)	Hinten (C2)					
S200BN			Front					
S200SM			Hinten (C2)					
FinishPro23SXP	Seitliche Zuführung (A2)		Front					
FinishPro23LXP			Hinten (C2)					
FinishPro21LXP			Front	Einzel Sequentiell (D1)				
FinishPro10		Auf Riegel drücken und Führung auschieben (B3)	Hinten (C2)					
LS1XP	Zufuhr von unten (A3)		Front				Nicht vorhanden	Öfrei

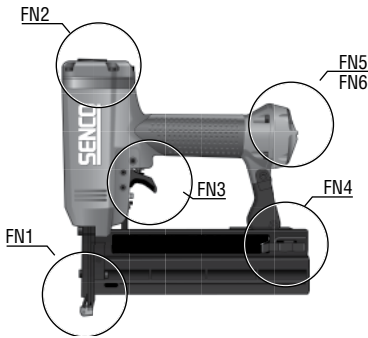


Matrixabbildungsnummer	Beschreibung	Hinweise zur Abbildung
A1	 Zuführung von hinten	Niemals mit betätigtem Auslöser laden. ① Luftzufuhr anschließen. ② Nagelstreifen einlegen - ausschließlich Originalbefestigungsmittel von SENCO verwenden.
A2	 Seitliche Zuführung	Niemals mit betätigtem Auslöser laden. ① Luftzufuhr anschließen. ② Nagelstreifen einlegen - ausschließlich Originalbefestigungsmittel von SENCO verwenden.
A3	 Zufuhr von unten	Verriegelung herunterdrücken, Magazinführung aufschieben Nagelstreifen mit den Spitzen in der abgebildeten Richtung in das Magazin einlegen. Niemals mit betätigtem Auslöser laden. Dann Punkte 1 (Verriegelung drücken) und 2 (Streifen einlegen).
B1	 Zuführung von hinten	① Führungsschuh freigeben und nach vorne schieben. ② Befestigungsmittel aus dem Werkzeug entnehmen.
B2	 Seitliche Zuführung	Auf Riegel drücken und Führung aufstecken, Befestigungsmittel entfernen.
B3	 Zufuhr von unten	Auf Riegel drücken und Führung aufstecken, Befestigungsmittel entfernen.

Matrixabbildungsnummer	Beschreibung	Hinweise zur Abbildung
C1	 Einstellbar	Der Deflektor kann gedreht werden, um die Richtung der Abluft zu ändern.
C2	 Hinten, einstellbar	Der Deflektor kann gedreht werden, um die Richtung der Abluft zu ändern.
D1	 Einfach	① Drücken Sie den Kontaktauslöser (Sicherheitselement) gegen die Arbeitsfläche. ② Betätigen Sie den Auslöser und das Befestigungsmittel wird eingetrieben.
D2	 Unten	① Auslöser betätigen. ② Kontaktauslöser gegen die Arbeitsfläche drücken und ein Befestigungsmittel entreiben. Jedes Mal wenn Sie den Kontaktauslöser (Sicherheitselement) gegen die Arbeitsfläche drücken, wird ein Befestigungsmittel eingetrieben.
F1	 Klappe	E-Z Clear-Arretierung lösen und Klappe öffnen.

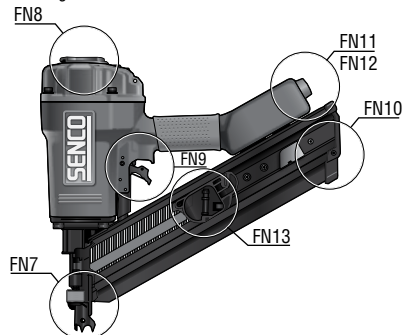
## WERKZEUGELEMENTE

### Stahlstiftnagler



FN1	Kontaktauslöser
FN2	Abluft
FN3	Auslöser
FN4	Magazin
FN5	Anschluss
FN6	Abluft hinten

### Rahmennagler



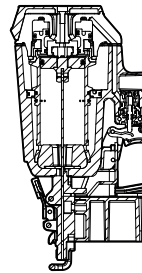
FN7	Kontaktauslöser
FN8	Abluft
FN9	Auslöser
FN10	Magazin
FN11	Anschluss
FN12	Abluft hinten
FN13	Führungsschuh

## WARTUNG

### Achtung

- Andere als die hier beschriebenen Reparaturen dürfen nur von geschultem, qualifiziertem Personal durchgeführt werden. Informationen von SENCO erhalten Sie unter: +31 320 295 575.
- Lesen Sie den Abschnitt „Sicherheitshinweise“, bevor Sie das Werkzeug warten.
- Verwenden Sie nur vom Hersteller oder vom autorisierten Vertreter empfohlene Ersatzteile.
- Alle Schrauben sollten immer fest angezogen sein. Lockere Schraubverbindungen machen den Betrieb unsicher und können Schäden an Bauteilen verursachen.
- Monatlich überprüfen.
- Führen Sie eine tägliche Inspektion durch, während alle Verbindungen des Werkzeugs getrennt sind, um die Bewegungsfreiheit des Kontaktauslösers und des Auslösers zu überprüfen. Verwenden Sie das Werkzeug nicht, wenn der Kontaktauslöser oder der Auslöser klemmt oder schwergängig ist.
- Spritzen Sie zweimal täglich Senco-Pneumatiköl (5 bis 10 Tropfen) in die Luftzufuhr (abhängig von der Nutzungsfrequenz des Werkzeugs). Andere Ölsorten können Schäden an O-Ringen und anderen Werkzeugteilen verursachen.
- Einige Senco-Werkzeuge werden ölfrei betrieben und benötigen KEIN Öl. Beachten Sie das Typenschild.
- Wischen Sie das Werkzeug täglich ab und prüfen Sie es auf Verschleiß. Verwenden Sie nur bei Bedarf nicht brennbare Reinigungslösungen.
- **Nicht eintauchen.**
- **Vorsicht:** Derartige Lösungen können Schäden an O-Ringen und anderen Werkzeugteilen verursachen.
- Entsorgen Sie die Reinigungsmaterialien ordnungsgemäß.

## FEHLERBEHEBUNG



**Wenn ein Stau von Befestigungsmitteln auftritt:**

Luftzufuhr trennen.

Befestigungsmittel entnehmen.

Verklebte Befestigungsmittel entfernen.

Ladeverfahren durchführen.

<b>1</b>	<p><b>SYMPTOM</b> Luftleck an der Oberseite des Werkzeugs. / Verzögerter Betrieb</p> <p><b>ABHILFE</b> Luftzufuhr überprüfen / Schrauben anziehen oder Reparatursatz installieren - Siehe Ersatzteillhandbuch.</p>
<b>2</b>	<p><b>SYMPTOM</b> Luftleck an der Unterseite des Werkzeugs / Mangelhafte Rückführung.</p> <p><b>ABHILFE</b> Werkzeug reinigen / Schrauben anziehen oder Reparatursatz installieren Siehe Ersatzteillhandbuch.</p>
<b>3</b>	<p><b>SYMPTOM</b> Sonstige Probleme.</p> <p><b>ABHILFE</b> Kontakt zu SENCO aufnehmen.</p>

## TECHNISCHE DATEN

Werkzeugtyp	Minimale bis maximaler Betriebsdruck	Luftverbrauch (bei 60 Zyklen pro Minute) in Litern	Drucklufteinlass	Maximale Geschwindigkeit (Zyklen pro Sekunde)	Gewicht in kg	Nagelkapazität	Werkzeugabmessungen: Höhe in mm	Werkzeugabmessungen: Länge in mm	Werkzeugabmessungen: Breite: Hauptgerät in mm
<b>Xtreme Pro Serie</b>									
SLP20XP	4,8 - 8,3 bar	52,7	1/4 Zoll NPT	5	1,0	110	210	241	50
SLP20XP GLN	4,8 - 8,3 bar	52,7	1/4 Zoll NPT	5	1,0	110	210	241	50
SBN10XP	4,5 - 7,0 bar	19,0	1/4 Zoll NPT	2	0,96	105	167	255	42
LS1XP	4,8 - 7,5 bar	23,1	1/4 Zoll NPT	5	1,3	100	197	211	51
FinishPro25XP	4,8 - 8,3 bar	52,7	1/4 Zoll NPT	5	1,2	110	251	249	56
FinishPro30XP	4,8 - 8,3 bar	61,0	1/4 Zoll NPT	5	1,73	104	244	305	83
FinishPro42XP	4,8 - 8,3 bar	133,0	1/4 Zoll NPT	5	2,1	104	292	330	89
SN90CXP	4,8 - 8,3 bar	283,2	3/8 Zoll NPT	2	3,62	70	337	384	106
SN90FXP	4,8 - 8,3 bar	283,2	3/8 Zoll NPT	2	3,81	60	337	508	106
FinishPro23SXP	4,8 - 6,9 bar	31,0	1/4 Zoll NPT	5	1,1	100	192	200	44
FinishPro23LXP	4,8 - 7,6 bar	31,0	1/4 Zoll NPT	5	1,2	100	226	200	44
FinishPro21LXP	4,8 - 7,6 bar	31,0	1/4 Zoll NPT	5	1,43	100	226	200	44
<b>Pro Serie</b>									
FinishPro10	4,8 - 6,5 bar	21,6	1/4 Zoll NPT	2	1,1	110	168	229	44
FinishPro18Mg	4,8 - 8,3 bar	68,0	1/4 Zoll NPT	5	1,1	110	247	266	64
FinishPro16XP	4,8 - 8,3 bar	61,2	1/4 Zoll NPT	3	1,9	110	292	308	81
FinishPro35Mg	4,8 - 8,3 bar	62,0	1/4 Zoll NPT	5	1,9	110	311	330	86
FramePro601	4,8 - 8,3 bar	283,2	3/8 Zoll NPT	2	3,62	70	337	384	106
FramePro651	4,8 - 8,3 bar	311,5	3/8 Zoll NPT	2	3,81	70	362	384	106
SidingPro40	4,8 - 8,3 bar	172,8	3/8 Zoll NPT	4	2,13	70	323	351	86
SN1602	5,5 - 8,3 bar	255,0	3/8 Zoll NPT	2	6,2	50-56	478	533	144
SN1302	5,5 - 8,3 bar	297,0	3/8 Zoll NPT	2	7,0	48-56	500	560	140
<b>SemiPro Serie</b>									
S200BN	4,8 - 8,3 bar	21,6	1/4 Zoll NPT	5	1,4	107	232	251	68
S200SM	4,8 - 8,3 bar	88,3	1/4 Zoll NPT	5	1,43	85	252	240	68
S250FN	4,8 - 8,3 bar	128,0	1/4 Zoll NPT	4	2,25	100	303	346	85
S900FN	4,8 - 8,3 bar	273,8	3/8 Zoll NPT	2	4,2	80	380	500	154

# NAGLERSORTIMENT

DE

Werkzeugtyp	Nageltyp in mm																
	0,68	0,84	1,2		1,6	1,8	2,3		2,9		3,1		3,3		3,8	4,2	4,6
			Stan- dardkopf	Redu- zierter Kopf			Ohne Kopf	Glatt	Ring	Glatt	Schraube	Ring	Schraube	Glatt			
SN1602																	
SN1302																	
SN90CXP																	
SN90FXP																	
FramePro601																	
FramePro651																	
S900FN																	
SidingPro40								45-60									
FinishPro42XP								32-63									
FinishPro30XP								25-50									
FinishPro35Mg								32-63									
S250FN								32-63									
SLP20XP																	
SLP20XP GLN																	
FinishPro10																	
12-25																	
SBN10XP																	
LS1XP																	
FinishPro25XP																	
16-54																	
FinishPro18Mg																	
16-54																	
S200BN																	
16-50																	
FinishPro16XP																	
32-63																	
S200SM																	
15-50																	
FinishPro23SXP																	
12-35																	
FinishPro23LXP																	
12-50																	
FinishPro21LXP																	
15-50																	

## ANGABEN ZUM LÄRMPEGEL

DE

<b>Angaben zum Lärmpegel</b> gemäß EN12549	Diese Werte sind werkzeugbezogene Kennwerte und geben nicht den an der Verwendungsstelle auftretenden Lärmpegel an. Auch die Arbeitsplatzgestaltung kann zu einer Reduzierung des Lärmpegels beitragen, z. B. durch Ablegen des Werkstücks auf schalldämmenden Unterlagen.
<b>Angaben zu Vibrationen</b> gemäß ISO8662-11	Dieser Wert ist ein gerätebezogener Kennwert und stellt nicht die Einwirkung auf das Hand-Arm-System bei Verwendung des Werkzeugs dar.

Werkzeugtyp	Schalldruckpegel (Lpa) dB	Schalleistungspegel (Lpa) dB	Vibrationspegel m/s <sup>2</sup>
<b>Xtreme Pro Serie</b>			
SLP20XP	83	89	1,18
SLP20XP GLN	83	89	1,18
SBN10XP	78,6	87,77	1,7
LS1XP	84	89	< 2,5
FinishPro25XP	89	94	< 2,5
FinishPro30XP	85	98	< 2,5
FinishPro42XP	89	94	< 2,5
SN90CXP	96	101	4
SN90FXP	96	101	4
FinishPro23SXP	47,8	60,8	1,63
FinishPro23LXP	47,8	60,8	1,63
FinishPro21LXP	47,8	60,8	1,63
<b>Pro Serie</b>			
FinishPro10	81	86	< 2,5
FinishPro18Mg	68	78,8	< 2,5
FinishPro16XP	93,7	106,7	< 2,5
FinishPro35Mg	87,6	93,2	2,9
FramePro601	96	101	3,7
FramePro651	97	101	3,67
SidingPro40	84	97	2,6
SN1602	95,9	132	8,3
SN1302	93	106	4
<b>SemiPro Serie</b>			
S200BN	91	104	< 2,5
S200SM	91	104	< 2,5
S250FN	91	104	< 2,5
S900FN	85	90	2,5

## ZUBEHÖR

SENCO bietet ein umfassendes Zubehörsortiment für Ihre SENCO-Werkzeuge an:

- Druckluftkompressoren
- Schlauch
- Kupplungen
- Armaturen
- Schutzbrillen
- Manometer
- Schmiermittel
- Regler
- Filter



Weitere Informationen oder einen vollständigen illustrierten SENCO-Zubehörkatalog erhalten Sie unter [SENCO.EU](http://SENCO.EU).



## INHOUDSOPGAVE

Verantwoordelijkheid van de werkgever .....	23
Algemene beschrijving .....	23
Waarschuwingen .....	23
Veiligheidsvoorschriften .....	24
Gebruiksaanwijzing .....	26
Onderhoud.....	28
Probleemoplossing.....	28
Technische specificaties .....	29
Spijkerspecificaties .....	30
Geluid .....	31
Accessoires .....	31
Conformiteitsverklaring.....	132
Beperkte garantie .....	134

NL

### VERANTWOORDELIJKHEID VAN DE WERKGEVER



De werkgever moet ervoor zorgen dat alle medewerkers die dit gereedschap gebruiken deze gebruiksaanwijzing zorgvuldig doorlezen en de inhoud goed begrijpen. Houd deze gebruiksaanwijzing bij de hand om hem later te kunnen raadplegen. Een risicobeoordeling en de invoering van geschikte controles voor alle gevaren zijn essentieel.

### GEVAREN OP DE WERKPLEK

Het volgende is van toepassing:

- Uitglijden, struikelen en vallen zijn belangrijke oorzaken van letsel op de werkplek. U kunt uitglijden over gevallen spijkers en struikelen over de luchtslang.
- Wees extra voorzichtig in een onbekende omgeving. Daar kunnen verborgen gevaren aanwezig zijn, zoals elektriciteitskabels of ander leidingwerk.
- Dit gereedschap is niet bedoeld voor gebruik in een mogelijk explosieve omgeving en is niet beveiligd tegen elektrisch contact.
- Controleer vooraf of er geen elektriciteitskabels, gasleidingen enz. aanwezig zijn die bij beschadiging door het gereedschap gevaar kunnen opleveren.

### STOF EN UITLAAT

**Als het gereedschap wordt gebruikt in een stofrijke omgeving, kan opwervend stof leiden tot een gevaarlijke situatie.**

Het volgende is van toepassing:

- De risicobeoordeling dient onderscheid te maken tussen stof dat wordt geproduceerd door het gebruik van het gereedschap en de kans dat aanwezig stof opwervelt door het gebruik van het gereedschap.
- Richt de uitlaat zodanig dat in een stofrijke omgeving het stof zo min mogelijk wordt verstoord.
- Als ergens gevaar ontstaat door stof, dient dit zoveel mogelijk bij de emissiebron te worden opgelost.

### ALGEMENE BESCHRIJVING

- Elektrische spijkermachine bestaande uit een pneumatische aandrijving, een geleider plus magazijn, waarbij de energie zorgt voor een lineaire beweging naar een spijker in het apparaat die met kracht in een bepaald materiaal wordt geschoten met uitzondering van speciale spijkers voor gebruik in beton of metaal.
- Elke ander gebruik is verboden.

### WAARSCHUWINGEN

Gereedschap waarop dit pictogram aanwezig is, mag alleen worden gebruikt voor productiedoelinden. Elke ander gebruik is verboden.



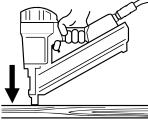
- Houd uw vinger niet op de trekker als u het apparaat meeneemt naar de werkplek of als u het draagt terwijl u loopt. U kunt het dan onbedoeld inschakelen. Beschikt het apparaat over selectieve bediening, controleer dan altijd eerst of de juiste stand is geselecteerd.
- Het apparaat kan worden ingesteld op individuele contactactivering of continue contactactivering door middel van een keuzeschakelaar. Het kan ook beschikken over alleen individuele of continue contactactivering en gemarkeerd zijn met bovenstaand pictogram. Het gereedschap is bedoeld voor productietoepassingen, zoals pallets, meubilair, omkastingen, bekleding en beplating.
- Gebruikt u het gereedschap in de stand individuele activering, controleer dan altijd eerst of de juiste stand is geselecteerd.
- Staat het apparaat in de stand continue contactactivering, gebruik het dan niet voor bijvoorbeeld het sluiten van dozen of kratten en het monteren van transportbeveiligingssystemen op aanhangwagens en vrachtwagens.
- Wees voorzichtig als u van werkplek verandert.

## VEILIGHEIDSVOORSCHRIFTEN

- Lees deze waarschuwingen zorgvuldig door en zorg dat u ze begrijpt om letsel aan uzelf en omstanders te voorkomen. Raadpleeg de hoofdstukken gebruiksaanwijzing, onderhoud en probleemoplossing voor meer informatie. 
- Het niet opvolgen van de waarschuwingen kan leiden tot ernstig letsel.
- Gebruiksaanwijzing niet weggooiën.
- Gebruikers en andere personen in de werkomgeving dienen een stootvaste veiligheidsbril te dragen met zijbeschermkappen. Het niet dragen van een veiligheidsbril kan tot ernstig letsel leiden. CE gelijkwaardig aan EN166 
- Draag ook altijd andere persoonlijke beschermingsmiddelen zoals gehoorbescherming, handschoenen en een helm. 
- Draag alleen handschoenen met voldoende gevoel waarmee u veilig de trekker en de stekknoppen kunt bedienen. 
- Gebruikers en andere personen in de werkomgeving dienen gehoorbescherming te dragen.
- Onbeschermde blootstelling aan een hoog geluidsniveau kan leiden tot permanent gehoorverlies met arbeidsongeschiktheid als gevolg, en andere problemen zoals oorsuizen (piepen, zoemen of fluiten in het oor).
- Geschikte middelen om dit risico te beperken zijn onder andere dempingsmaterialen om 'galm' te voorkomen.
- Gebruik de juiste gehoorbescherming.
- Gebruik en onderhoud het apparaat zoals aanbevolen in deze instructies om onnodige toename van het geluidsniveau te voorkomen.
- Beschikt het apparaat over een geluidsdemper, zorg dan dat dit altijd op zijn plaats zit en goed functioneert als u het gereedschap gebruikt.
- Blootstelling aan trillingen kan leiden tot schade aan de zenuwen en de bloedsomloop van de handen en armen, met arbeidsongeschiktheid als gevolg. 
- Draag warme kleding bij het werken in koude omstandigheden, houd uw handen warm en droog. 
- Ervaart u gevoelloosheid, tintelingen, pijn of witheid van de huid in uw vingers of handen, raadpleeg dan een gekwalificeerde arbeidskundige voor medisch advies over uw activiteiten in het algemeen.
- Gebruik en onderhoud het gereedschap zoals aanbevolen in deze instructies om onnodige toename van het trillingsniveau te voorkomen.
- Houd het apparaat licht, maar veilig vast. Het risico op trillingen neemt over het algemeen toe naarmate de grip steviger is.
- Blijf alert, let op wat u doet en gebruik uw gezond verstand bij het bedienen van een elektrisch apparaat. Gebruik het apparaat niet als u moe bent of onder invloed van drugs, alcohol of medicijnen. Een moment van onoplettendheid bij het bedienen van elektrisch gereedschap kan leiden tot ernstig persoonlijk letsel.

- Sluit het apparaat alleen aan op de aangegeven spanning. 
- Gebruik nooit zuurstof, koolstofdioxide of flessengas als energiebron voor dit apparaat. Het apparaat kan dan exploderen en ernstig letsel veroorzaken.
- Het gebruik van zuurstof of brandbare gassen in pneumatisch gereedschap veroorzaakt brand- of explosiegevaar.

- Haal uw vinger altijd van de trekker als u niet bezig bent spijkers te schieten. Draag het apparaat nooit met de vinger op of onder de trekker. Als het contactpunt tegen het werkstuk stoot, wordt een spijker weggeschoten. 
- Gebruikt u het gereedschap niet, leg het dan op zijn zij en koppel de lucht los.
- Haal dan ook uw vinger van de trekker en verwijder het positioneringshulpstuk zodat het contactpunt niet onbedoeld kan worden geactiveerd.
- Ga er altijd van uit dat er spijkers in het gereedschap zitten. Richt de schietmond van het apparaat nooit op uzelf of andere personen. Beschouw het gereedschap niet als speelgoed, maar als een hulpmiddel voor uw werk.
- Houd handen en benen uit de baan van de spijkers.
- Alleen geschoold personeel mag de spijkermachine gebruiken.

- Schiet alleen spijkers in het werkopervlak en nooit in materiaal dat te hard is voor de spijkers. 
- Voor staal en beton is gereedschap met extra neerwaartse kracht nodig.
- Tijdens het gebruik mag afval van het werkstuk en het verzamelsysteem worden verwijderd.
- Houd het contactpunt altijd goed tegen het werkstuk en zorg dat het niet kan wegglijden.

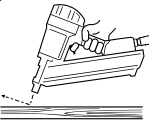
- Gereedschap dat is uitgerust met contactactivering mag niet worden gebruikt:

- Als u alleen via trappen, ladders of steigers een andere werkplek kunt bereiken.
- Voor het sluiten van dozen of kratten.
- Voor het monteren van transportbeveiligingssystemen.
- Op bewegende platformen.



- Lees het hoofdstuk Gebruiksaanwijzing zorgvuldig door om te begrijpen wat de risico's zijn van individuele activering.

- Forceer het apparaat niet. Laat het apparaat zelf het werk doen. Gebruik het juiste gereedschap voor uw toepassing. Het juiste gereedschap doet het werk beter en veiliger in het tempo waarvoor het is ontworpen.
- Reik niet te hoog.
- Sta stevig op uw voeten en behoud altijd uw evenwicht.

- Schiet geen spijkers bovenop andere spijkers of in een te scherpe hoek.
- De spijkers kunnen dan verbuigen en letsel veroorzaken. 



- Houd er rekening mee dat na het schieten van een spijker de kans bestaat op terugslag. Als het contactpunt bij terugslag per ongeluk in contact komt met het werkstuk, wordt onbedoeld nog een spijker weggeschoten. Zorg er daarom voor dat het apparaat tijdens de terugslag volledig los is van het werkoppervlak. Zet het contactpunt pas weer tegen het werkstuk als u een nieuwe spijker wilt weggeschieten.



- Houd het apparaat goed vast met een stevige greep en houd rekening met normale of plotselinge bewegingen zoals terugslag. De greep moet wel veilig zijn, maar ook niet zo stevig dat het leidt tot overmatige trillingen die kunnen leiden tot ernstig letsel.
- Sta met de voeten stevig op de grond en houd uzelf in evenwicht.
- Ga voorzichtig om met pneumatische apparaten. Tijdens het gebruik wordt het gereedschap koud, waardoor u de grip en dus de controle over het apparaat kunt verliezen.

- Schiet geen spijkers vlak langs de rand van het werkstuk.
- De spijkers kunnen weggeschieten en letsel veroorzaken.
- Houd omstanders op afstand.
- Zet uw werkplek duidelijk af.

- Koppel het apparaat los van de luchttoevoer voor onderhoud, het verwijderen van een vastzittende spijker of het wijzigen van instellingen en als u de werkplek verlaat om naar een andere werkplek te gaan of het gereedschap overhandigt aan iemand anders.



- Het apparaat kan een spijker weggeschieten als het wordt aangesloten op de luchttoevoer. Verwijder daarom eerst alle spijkers voordat u de luchtslang aansluit.
- Wees voorzichtig tijdens het laden en verwijderen van de spijkers. Ze hebben een scherpe punt.

- Gebruik het apparaat niet als het contactpunt, de trekker of de veren niet werken, ontbreken of defect zijn. Probeer niet zelf het contactpunt, de trekker of de veren te manipuleren of te verwijderen.

- Aangepassing kunnen de doeltreffendheid van de veiligheidsmaatregelen verminderen en het risico voor de gebruiker/omstanders verhogen.

- Gebruik het apparaat niet als het beschadigd is.

- Controleer altijd of alle schroeven en doppen goed vastzitten. Controleer elke dag of de trekker en het contactpunt vrij kunnen bewegen. Gebruik het apparaat niet als onderdelen ontbreken, versleten of beschadigd zijn.

- Maak altijd gebruik van de tweede handgreep (indien meegeleverd).

- Gebruik alleen onderdelen, spijkers, smeermiddelen en accessoires die door SENCO worden aanbevolen of verkocht. Breng geen wijzigingen aan in het apparaat zonder toestemming van SENCO.

- Gebruik alleen schone, droge en regelbare perslucht op de aanbevolen druk.
- Sluit altijd de luchttoevoer af en koppel het apparaat los als u het niet gebruikt.

- Sluit het apparaat niet aan op persdruk die de maximale werkdruk met 10% kan overschrijden.
- Overschrijd de maximale werkdruk  $P_s$  max. niet.

- Apparaten die zijn gemarkeerd met een omgekeerde driehoek mogen niet gebruikt worden, tenzij ze zijn voorzien van een goed contactpunt.



- Apparaten zonder contactpunt kunnen onbedoeld een spijker weggeschieten en letsel veroorzaken.

- Als het apparaat op een standaard wordt geplaatst voor montage op een steun, dient de standaard zodanig te zijn samengesteld door de fabrikant dat het gereedschap veilig kan worden bevestigd en gebruikt voor het beoogde doel.

- Het apparaat en de luchtslang moeten via een nippel zodanig aan elkaar zijn gekoppeld dat alle druk van het apparaat wordt verwijderd als de koppeling wordt losgemaakt.



- Perslucht kan ernstig letsel veroorzaken.

- Koppel het apparaat altijd los van de persluchttoevoer voordat u accessoires verwisselt, aanpassingen en/of reparaties uitvoert of wanneer u zich verplaatst van de ene werkplek naar de andere.

- Richt nooit perslucht op uzelf of op andere personen.

- Een zweepende slang kan ernstig letsel veroorzaken; controleer altijd of de slang vastzit en onbeschadigd is.

- Laad geen spijkers in het apparaat terwijl de trekker of het contactpunt ingedrukt zijn.

- Gebruik het gereedschap niet zonder gevarenlabel. Als het label ontbreekt, beschadigd of onleesbaar is, neem dan contact op met uw SENCO-vertegenwoordiger voor een nieuw label.



- Gebruik nooit een apparaat dat lucht lekt of gerepareerd moet worden.

- Gebruik het apparaat niet als het beschadigd is.

- Draag of versleep het apparaat nooit aan de luchtslang.

- Verricht nooit een 'noodreparatie' zonder de juiste hulpmiddelen en uitrusting.

- Controleer het apparaat voor gebruik altijd op defecte, verkeerd aangesloten, losse of versleten onderdelen.



Voor het aanbrengen van wijzigingen aan het gereedschap is voorafgaande schriftelijke toestemming van de fabrikant vereist.

- Houd handen en andere lichaamsdelen uit de buurt van het gebied dat in de cirkel is aangegeven om mogelijk letsel tijdens het gebruik te voorkomen.


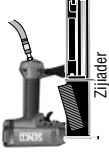
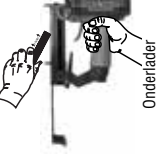
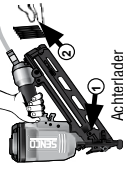
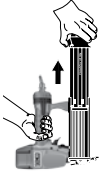

- Houd uw vingers uit de buurt van de trekker wanneer u het apparaat niet bedient en wanneer u van de ene naar de andere werkplek gaat.



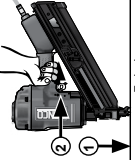
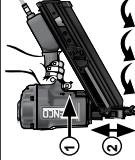



# GEBRUIKSAANWIJZING

NL

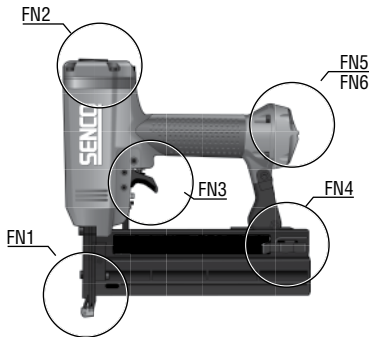
Machine	Laden	Verwijderen	Uitlaat	Type trekker	Schietdiepte instelling	Vastzitters verwijderen	Veiligheidssele-ment	Smering
SN90CXP	Achterlader (A1)	Maak de invoerschoen los en schuif hem naar voren (B1)	Instelbaar (C1)	Schietopening onderzijde (D2)	Instelbaar	Via magazijn	Veiligheidssele-ment	Vereist
SN90FXP								
FramePro601								
FramePro651								
SN1602								
SN1302								
S900FN								
SidingPro40								
FinishPro42XP								
FinishPro16XP								
FinishPro30XP	Zijlader (A2)	Druk de vergrendeling naar beneden, schuif de geledearm naar achteren (B2)	Instelbaar (C1)	Enkel Sequentieel (D1)	Instelbaar	EZ-ontgrendeling klep (F1)	Veiligheidssele-ment	Vereist
S250FN								
FinishPro35Mg								
SLP20XP								
SLP20XP GLN								
SBN10XP								
FinishPro25XP								
FinishPro18Mg								
S200BN								
S200SM								
FinishPro23SXP	Onderlader (A3)	Druk de vergrendeling naar beneden, schuif de geledearm naar achteren (B3)	Achterzijde (C2)	Enkel Sequentieel (D1)	Instelbaar	Via magazijn	Geen	Vereist
FinishPro23LXP								
FinishPro21LXP								
FinishPro10								
LS1XP								

Schema afbeelding nr	Omschrijving	Opmerkingen
A1	 <p>Achterlader</p> <p>Zijlader</p>	<p>Niet laden bij ingedrukte trekker</p> <ol style="list-style-type: none"> <li>1 Sluit luchttoevoer aan</li> <li>2 Plaats spijkerstrip - gebruik alleen originele SENCO-spijkers</li> </ol>
A2	 <p>Achterlader</p> <p>Zijlader</p>	<p>Niet laden bij ingedrukte trekker</p> <ol style="list-style-type: none"> <li>1 Sluit luchttoevoer aan</li> <li>2 Plaats spijkerstrip - gebruik alleen originele SENCO-spijkers</li> </ol>
A3	 <p>Onderlader</p> <p>Onderlader</p>	<p>Druk de vergrendeling naar beneden, schuif de geleidearm naar achteren</p> <p>Plaats de spijkerstrip in het magazijn met de punten in de getoonde richting</p> <p>Niet laden bij ingedrukte trekker</p> <p>Voer daarna punt 1 (indrukken vergrendeling) en 2 (plaats strip) uit</p>
B1	 <p>Achterlader</p> <p>Achterlader</p>	<ol style="list-style-type: none"> <li>1 Maak de invoerschroeven los en schuif hem naar voren.</li> <li>2 Verwijder de spijkers uit het gereedschap</li> </ol>
B2	 <p>Zijlader</p> <p>Zijlader</p>	<p>Druk de vergrendeling naar beneden, schuif de geleidearm naar achteren, verwijder de spijkers</p>
B3	 <p>Zijlader</p> <p>Onderlader</p>	<p>Druk de vergrendeling naar beneden, schuif de geleidearm naar achteren, verwijder de spijkers</p>

Schema afbeelding nr	Omschrijving	Opmerkingen
C1	 <p>Instelbaar</p>	<p>Verdraai de uitlaat om de richting van de uitgeblazen lucht te wijzigen.</p>
C2	 <p>Achterzijde, instelbaar</p>	<p>Verdraai de uitlaat om de richting van de uitgeblazen lucht te wijzigen.</p>
D1	 <p>Enkel</p>	<ol style="list-style-type: none"> <li>1 Druk het contactpunt (veiligheidselement) tegen het werkstuk.</li> <li>2 Haal de trekker over om de spijker weg te schieten.</li> </ol>
D2	 <p>Onderzijde</p>	<ol style="list-style-type: none"> <li>1 Haal de trekker over.</li> <li>2 Druk het contactelement tegen het werkstuk en schiet een spijker weg. Telkens als u het contactelement (veiligheidselement) tegen het werkstuk drukt, wordt een spijker weggeschoten.</li> </ol>
F1	 <p>Klep</p>	<p>Maak E-Z los. Ontgrendel de klep en open het magazijn.</p>

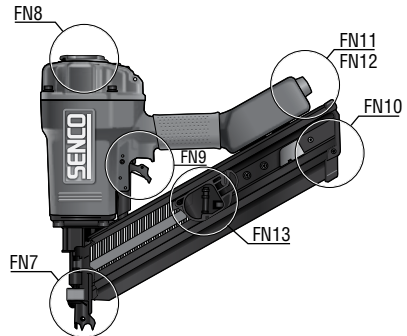
## ONDERDELEN

Finish Nailer



FN1	Neus
FN2	Luchtafvoer
FN3	Trekker
FN4	Magazijn
FN5	Inlaat
FN6	Luchtafvoer achter

Framing Nailer



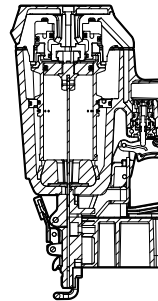
FN7	Neus
FN8	Luchtafvoer
FN9	Trekker
FN10	Magazijn
FN11	Inlaat
FN12	Luchtafvoer achter
FN13	Toevoerschoen

## ONDERHOUD

### Waarschuwing

- Verricht alleen onderstaand onderhoud zelf en laat alle andere reparaties verrichten door opgeleid en gekwalificeerd personeel. Neem hiervoor contact op met SENCO: +31 320 295 575.
- Lees het hoofdstuk "Veiligheidsvoorschriften" voordat u onderhoudswerkzaamheden verricht.
- Gebruik alleen de door de fabrikant of een erkende vertegenwoordiger gespecificeerde reserveonderdelen.
- Alle schroeven moeten goed vastzitten. Losse schroeven leiden tot onveilig werken en het breken van onderdelen.
- Controleer maandelijks
- Controleer elke dag of het contactelement en de trekker soepel kunnen bewegen. Koppel daarvoor eerst het gereedschap af. Gebruik het gereedschap niet als het contactelement of de trekker blijft hangen en niet soepel loopt.
- Spuit tweemaal per dag SENCO pneumatische olie (5 à 10 druppels) in de luchtinlaat (al naar gelang de gebruiksfrequentie). Een ander type olie kan de O-ringen en andere onderdelen beschadigen.
- Sommige SENCO gereedschappen zijn Oil Free en hebben dus GEEN olie nodig. Controleer hiervoor het label.
- Maak het gereedschap dagelijks schoon en controleer het op slijtage. Gebruik alleen niet-ontvlambare reinigingsmiddelen.
- **Niet onderdempelen.**
- **Let op:** Door onderdempelen kunnen de O-ringen en andere onderdelen beschadigd raken.
- Gooi de reinigingsmiddelen op de juiste wijze weg.

## PROBLEEMOPLOSSING



### In het geval van vastzittende spijkers:

- Koppel de luchttoevoer los
- Verwijder de spijkers uit het magazijn
- Haal de vastzittende spijkers weg
- Plaats de spijkers weer in het magazijn

<b>1</b>	<p><b>SYMPTOOM</b> Lucht lekt bovenaan het apparaat. / trage werking</p> <p><b>OPLOSSING</b> Controleer de luchttoevoer / draai de schroeven aan of installeer onderdelen – Zie Handleiding onderdelen</p>
<b>2</b>	<p><b>SYMPTOOM</b> Lucht lekt onderaan het apparaat / slecht resultaat.</p> <p><b>OPLOSSING</b> Reinig het gereedschap / draai de schroeven aan of installeer onderdelen – Zie Handleiding onderdelen</p>
<b>3</b>	<p><b>SYMPTOOM</b> Overige problemen.</p> <p><b>OPLOSSING</b> Neem contact op met SENCO.</p>

## TECHNISCHE SPECIFICATIES

Type gereedschap	Minimum-maximum werkdruk	Luchtverbruik in liters (bit 60 schoten per minuut)	Luchtinlaat	Maximale snelheid (schoten per seconde)	Gewicht in kg	Aantal spijkers in magazijn	Afmetingen: Hoogte in mm	Afmetingen: Lengte in mm	Afmetingen: Breedte: Behuizing in mm
<b>XtremePro Serie</b>									
SLP20XP	4,8-8,3 bar	52,7	1/4 in NPT	5	1,0	110	210	241	50
SLP20XP GLN	4,8-8,3 bar	52,7	1/4 in NPT	5	1,0	110	210	241	50
SBN10XP	4,5-7,0 bar	19,0	1/4 in NPT	2	0,96	105	167	255	42
LS1XP	4,8-7,5 bar	23,1	1/4 in NPT	5	1,3	100	197	211	51
FinishPro25XP	4,8-8,3 bar	52,7	1/4 in NPT	5	1,2	110	251	249	56
FinishPro30XP	4,8-8,3 bar	61,0	1/4 in NPT	5	1,73	104	244	305	83
FinishPro42XP	4,8-8,3 bar	133,0	1/4 in NPT	5	2,1	104	292	330	89
SN90CXP	4,8-8,3 bar	283,2	3/8 in NPT	2	3,62	70	337	384	106
SN90FXP	4,8-8,3 bar	283,2	3/8 in NPT	2	3,81	60	337	508	106
FinishPro23SXP	4,8-6,9 bar	31,0	1/4 in NPT	5	1,1	100	192	200	44
FinishPro23LXP	4,8-7,6 bar	31,0	1/4 in NPT	5	1,2	100	226	200	44
FinishPro21LXP	4,8-7,6 bar	31,0	1/4 in NPT	5	1,43	100	226	200	44
<b>Pro Serie</b>									
FinishPro10	4,8-6,5 bar	21,6	1/4 in NPT	2	1,1	110	168	229	44
FinishPro18Mg	4,8-8,3 bar	68,0	1/4 in NPT	5	1,1	110	247	266	64
FinishPro16XP	4,8-8,3 bar	61,2	1/4 in NPT	3	1,9	110	292	308	81
FinishPro35Mg	4,8-8,3 bar	62,0	1/4 in NPT	5	1,9	110	311	330	86
FramePro601	4,8-8,3 bar	283,2	3/8 in NPT	2	3,62	70	337	384	106
FramePro651	4,8-8,3 bar	311,5	3/8 in NPT	2	3,81	70	362	384	106
SidingPro40	4,8-8,3 bar	172,8	3/8 in NPT	4	2,13	70	323	351	86
SN1602	5,5-8,3 bar	255,0	3/8 in NPT	2	6,2	50-56	478	533	144
SN1302	5,5-8,3 bar	297,0	3/8 in NPT	2	7,0	48-56	500	560	140
<b>SemiPro Serie</b>									
S200BN	4,8-8,3 bar	21,6	1/4 in NPT	5	1,4	107	232	251	68
S200SM	4,8-8,3 bar	88,3	1/4 in NPT	5	1,43	85	252	240	68
S250FN	4,8-8,3 bar	128,0	1/4 in NPT	4	2,25	100	303	346	85
S900FN	4,8-8,3 bar	273,8	3/8 in NPT	2	4,2	80	380	500	154

## SPIJKERSPECIFICATIES

Type gereedschap	Type spijker in mm																
	0.68	0.84	1.2 Plaatkop	1.2 Ver- zonken kop	1.6	1.8	2.3		2.9		3.1		3.3		3.8	4.2	4.6
							Glad	Ring	Glad	Schroef	Glad	Schroef	Glad	Schroef			
SN1602																	
SN1302																	
SN90CX																	
SN90FX																	
FramePro601																	
FramePro651																	
S900FN																	
SidingPro40																	
FinishPro42XP								45-60									
FinishPro30XP																	
FinishPro35Mg																	
S250FN																	
SLP2DX																	
SLP2DXP GLN																	
FinishPro10																	
SBN1DXP																	
LS1XP																	
FinishPro25XP																	
FinishPro18Mg																	
S200BN																	
FinishPro16XP																	
S200SM																	
FinishPro23SXP																	
FinishPro23LXP																	
FinishPro21LXP																	

## GELUID

<b>Geluidsniveau</b> overeenkomstig EN12549	Deze waarden zijn kenmerkend voor het gereedschap zelf en niet voor het geluid dat ontstaat op het werkstuk. De inrichting van de werkplek kan helpen het geluidsniveau te verlagen, bijvoorbeeld plaatsing van het werkstuk op een geluiddempende ondergrond.
<b>Trillingsniveau</b> overeenkomstig ISO8662-11	Deze waarde is kenmerkend voor het gereedschap zelf en houdt geen rekening met de invloed op hand en arm bij gebruik van het gereedschap.

Type gereedschap	Geluidsdrukniveau (Lpa) dB	Geluidsvermogniveau (Lwa) dB	Trillingsniveau m/s <sup>2</sup>
<b>XtremePro Serie</b>			
SLP20XP	83	89	1,18
SLP20XP GLN	83	89	1,18
SBN10XP	78,6	87,77	1,7
LS1XP	84	89	<2,5
FinishPro25XP	89	94	<2,5
FinishPro30XP	85	98	<2,5
FinishPro42XP	89	94	<2,5
SN90CXP	96	101	4
SN90FXP	96	101	4
FinishPro23SXP	47,8	60,8	1,63
FinishPro23LXP	47,8	60,8	1,63
FinishPro21LXP	47,8	60,8	1,63
<b>Pro Serie</b>			
FinishPro10	81	86	<2,5
FinishPro18Mg	68	78,8	<2,5
FinishPro16XP	93,7	106,7	<2,5
FinishPro35Mg	87,6	93,2	2,9
FramePro601	96	101	3,7
FramePro651	97	101	3,67
SidingPro40	84	97	2,6
SN1602	95,9	132	8,3
SN1302	93	106	4
<b>SemiPro Serie</b>			
S200BN	91	104	<2,5
S200SM	91	104	<2,5
S250FN	91	104	<2,5
S900FN	85	90	2,5

## ACCESSOIRES

SENCO biedt een volledig assortiment accessoires voor uw SENCO-gereedschappen, inclusief:

- Luchtcompressoren
- Slangen
- Koppelingen
- Aansluitingen
- Veiligheidsbrillen
- Manometers
- Smeermiddelen
- Regelaars
- Filters

Voor meer informatie of een complete geïllustreerde catalogus van SENCO-accessoires, ga naar [SENCO.EU](http://SENCO.EU).







## TABLE DES MATIÈRES

Responsabilités de l'employeur.....	33
Description générale.....	33
Avertissements.....	33
Avertissements de sécurité.....	34
Utilisation de l'outil.....	36
Entretien.....	38
Dépannage.....	38
Spécifications techniques.....	39
Gamme de clous.....	40
Informations sur le niveau de bruit.....	41
Accessoires.....	41
Déclaration de conformité.....	132
Garantie limitée.....	134

FR

### RESPONSABILITÉS DE L'EMPLOYEUR



Il incombe à l'employeur de s'assurer que ce manuel est lu et compris par tout le personnel chargé d'utiliser l'outil. Conservez ce manuel à portée de main pour consultation ultérieure.

L'évaluation des risques et la mise en œuvre de contrôles appropriés pour tous les dangers sont essentielles.

### DANGERS PROFESSIONNELS

Les consignes suivantes s'appliquent :

- Les glissades, les trébuchements et les chutes sont des causes majeures d'accidents du travail. Faites attention aux surfaces glissantes causées par l'utilisation de l'outil ainsi qu'aux risques de trébuchement causés par le tuyau d'air.
- Procédez avec plus de prudence dans un environnement inconnu. Il peut exister des dangers cachés, comme les lignes électriques ou autres conduites.
- Cet outil n'est pas destiné à être utilisé dans des atmosphères potentiellement explosives et n'est pas isolé du contact avec le courant électrique.
- Assurez-vous qu'il n'y a pas de câbles électriques, de conduites de gaz, etc. qui pourraient présenter un danger s'ils étaient endommagés par l'utilisation de l'outil.

### DANGERS LIÉS À LA POUSSIÈRE ET À L'ÉCHAPPEMENT

Si l'outil est utilisé dans une zone où il y a de la poussière statique, il peut perturber la poussière et causer un danger.

Les consignes suivantes s'appliquent :

- L'évaluation des risques devrait inclure la poussière créée par l'utilisation de l'outil et la possibilité de perturber la poussière existante.
- Dirigez l'échappement de manière à réduire au minimum la perturbation de poussière dans un environnement rempli de poussière.
- Lorsque des dangers liés à la poussière ou à l'échappement sont présents, la priorité doit être donnée à leur maîtrise au point d'émission.

### DESCRIPTION GÉNÉRALE

- Outil manuel électrique de clouage composé d'une unité pneumatique, d'un corps de guidage et d'un magasin dans lequel de l'énergie est appliquée en un mouvement linéaire à un clou chargé afin d'enfoncer celui-ci dans des matériaux définis, à moins d'utiliser un clou spécial destiné à être utilisé dans le béton ou l'acier.
- Toute autre utilisation est interdite.

### AVERTISSEMENTS


Les outils marqués d'un symbole ne doivent être utilisés que pour des applications de production.


Toute autre utilisation est interdite.


- Ne posez pas votre doigt sur la gâchette lorsque vous prenez l'outil, passez d'une zone d'opération à une autre ou marchez, car le fait de poser votre doigt sur la gâchette peut entraîner un actionnement involontaire. Pour les outils à actionnement sélectif, vérifiez toujours l'outil avant utilisation pour vous assurer que le mode de fonctionnement correct est sélectionné.
- Cet outil dispose soit d'un actionnement sélectif pour l'actionnement par contact, soit d'un actionnement continu par contact via un sélecteur de mode d'actionnement, ou est un outil à actionnement par contact ou à actionnement continu par contact et a été marqué du symbole ci-dessus. Il est destiné à des applications de production telles que les palettes, les meubles, les encastrement, les rembourrages et les revêtements.
- Si vous utilisez cet outil en mode d'actionnement sélectif, assurez-vous toujours qu'il est réglé sur le mode d'actionnement correct.
- Ne pas utiliser cet outil en actionnement par contact pour des applications telles que la fermeture de boîtes ou de caisses et l'installation de systèmes de sécurité de transport sur les remorques et camions.
- Soyez prudent lorsque vous passez d'un endroit à un autre.





## AVERTISSEMENTS DE SÉCURITÉ

- Lisez et comprenez ces avertissements pour éviter de vous blesser et de blesser les personnes présentes. Pour plus d'informations, consultez les sections sur l'utilisation, l'entretien et le dépannage de l'outil. 
- Le non-respect des avertissements peut entraîner des blessures graves.
- Ne les ignorez pas.

- Les utilisateurs et autres personnes se trouvant dans la zone de travail doivent porter des lunettes de protection résistantes aux chocs et munies de protections latérales. Le non-respect de cette consigne peut provoquer des blessures graves. CE équivalent à EN166 

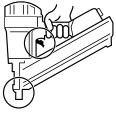
- Portez toujours d'autres équipements de protection individuelle tels qu'un casque de protection auditive, des gants et un casque de protection. 
- Ne portez que des gants qui procurent une sensation adéquate et un contrôle sécuritaire des gâchettes et des dispositifs de réglage.
- Les utilisateurs et autres personnes se trouvant dans la zone de travail doivent porter des protections auditives.
- Une exposition non protégée à des niveaux de bruit élevés peut causer une perte auditive permanente et invalidante et d'autres problèmes tels que des acouphènes (tintements, vrombissements, sifflements ou bourdonnements d'oreilles).
- Des mesures appropriées visant à réduire le risque peuvent comprendre l'utilisation de matériaux amortissants pour empêcher les pièces d'émettre des tintements.
- Utilisez une protection auditive appropriée.
- Utilisez et entretenez l'outil conformément aux recommandations de ces instructions, afin d'éviter une augmentation inutile des niveaux sonores.
- Si l'outil est équipé d'un silencieux, assurez-vous toujours que celui-ci est bien en place et en bon état de fonctionnement lorsque l'outil est utilisé.

- L'exposition aux vibrations peut causer des dommages invalidants aux nerfs et à l'apport sanguin au niveau des mains et des bras. 
- Portez des vêtements chauds lorsque vous travaillez par temps froid, gardez vos mains au chaud et au sec. 
- Si vous ressentez des engourdissements, des picotements, des douleurs ou si vous constatez un blanchiment de la peau de vos doigts ou de vos mains, consultez un professionnel de la santé qualifié en matière d'activités professionnelles.
- Utilisez et entretenez l'outil conformément aux recommandations de ces instructions, afin d'éviter une augmentation inutile des niveaux de vibration.
- Tenez l'outil avec une poigne légère, mais sûre, car le risque de vibration est généralement plus grand lorsque la force de poigne est plus élevée.

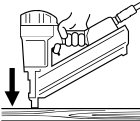
- Soyez vigilant, surveillez ce que vous faites et faites preuve de bon sens lorsque vous utilisez un outil électrique. N'utilisez pas l'outil si vous êtes fatigué ou sous l'influence de drogues, d'alcool ou de médicaments. Un moment d'inattention pendant l'utilisation d'outils électriques peut entraîner des blessures corporelles graves.

- Utilisez uniquement une alimentation en énergie adéquate conformément aux instructions.
- N'utilisez jamais d'oxygène, de dioxyde de carbone ou tout autre gaz en bouteille comme source d'énergie pour cet outil ; l'outil explosera et causera des blessures graves.
- L'utilisation d'oxygène ou de gaz combustibles pour les outils pneumatiques crée un risque d'incendie ou d'explosion.



- Retirez toujours le doigt de la gâchette lorsque vous n'enfonces pas de clous. Ne portez jamais l'outil avec le doigt sur ou sous la gâchette. L'outil éjectera un clou si le palpeur de sécurité est heurté. 
- La position de repos de l'outil est posé sur son côté et déconnecté de l'air.
- La position de repos comprend le retrait du doigt de la gâchette et le positionnement de l'outil de manière à ce que le palpeur de sécurité ne soit pas déclenché.

- Partez toujours du principe que l'outil contient encore des clous. Ne pointez jamais l'outil dans votre direction ni celle des autres. Ne jouez / chahutez jamais avec l'outil. Respectez l'outil comme instrument de travail.
- Gardez les mains et les jambes éloignées de la direction de tir.
- Seuls des utilisateurs compétents doivent utiliser des outils de clouage.

- Enfonces des clous uniquement dans la surface de travail ; jamais dans des matériaux trop difficiles à pénétrer.
- Un effort d'appui supplémentaire est nécessaire pour les outils à acier et béton. 
- Pendant le fonctionnement, des débris provenant de la pièce de travail et du système de collecte peuvent être projetés.
- Assurez-vous que l'outil est toujours bien engagé sur la pièce et qu'il ne peut pas glisser.

- Ne pas utiliser d'outils équipés d'un « actionnement par contact » :
  - Si un changement de site de clouage a lieu via des escaliers, échelles ou échafaudages.
  - Pour fermer des boîtes ou des caisses.
  - Pour le montage de systèmes de sécurité de transport.
  - Plates-formes mobiles



- Lisez et comprenez les risques associés à l'actionnement sélectif dans la section « Utilisation de l'outil ».

- Ne forcez pas l'outil. Laissez l'outil faire le travail. Utilisez l'outil adapté à votre application. Un outil adapté fera mieux le travail et sera plus sûr au rythme pour lequel il a été conçu.
- Ne tendez pas le bras trop loin.
- Gardez toujours un bon appui au sol et un bon équilibre.



- N'enfonces pas de clous sur d'autres clous, ou avec l'outil à un angle trop incliné.
- Le clou pourrait dévier et causer des blessures.

- Lors de l'utilisation de l'outil, il faut faire attention à la possibilité d'un recul de l'outil après l'enfoncement d'un clou. Si le palpeur de sécurité entre de nouveau accidentellement en contact avec la surface de travail à la suite d'un rebond, il sera réarmé et un clou non désiré sera enfoncé. Par conséquent, laissez l'outil reculer complètement de la surface de travail après avoir enfoncé un clou pour éviter cette situation. Ne repositionnez le palpeur de sécurité contre la surface de travail que lorsque vous êtes prêt à enfoncer un second clou.



- Tenez bien l'outil avec une poignée ferme et soyez prêt à contrer et à gérer les mouvements normaux ou soudains tels que le recul. La prise en main doit être sûre mais appropriée pour réduire les risques de vibrations qui peuvent causer des blessures graves.
- Gardez une posture équilibrée et un bon appui au sol.
- Soyez prudent lorsque vous utilisez des outils pneumatiques car l'outil devient froid. Cela peut affecter la prise en main et la maîtrise de l'outil.

- N'enfonchez pas de clous près du bord de la surface de travail.
- Le clou pourrait dévier et causer des blessures.
- Tenez les personnes présentes à l'écart.
- Marquez clairement votre zone de travail.

- Débranchez l'outil de l'alimentation en air avant d'effectuer l'entretien de l'outil, de retirer un clou coincé, de faire des réglages, de quitter la zone de travail, de déplacer l'outil à un autre endroit ou de le remettre à une autre personne.



L'outil peut éjecter un clou lorsqu'il est connecté à l'alimentation en air ; par conséquent, Ⓢ retirez tous les clous de l'outil avant de fixer le tuyau d'air.

- Soyez prudent lorsque vous manipulez les clous lors du chargement/déchargement. Les clous ont des pointes acérées.
- N'utilisez jamais l'outil si le palpeur de sécurité, la gâchette ou les ressorts sont inutilisables, manquants ou endommagés. Ne modifiez pas et ne retirez pas le palpeur de sécurité, la gâchette et les ressorts.
- Les modifications peuvent réduire l'efficacité des mesures de sécurité et accroître les risques pour l'utilisateur et les personnes présentes.
- N'utilisez pas l'outil si celui-ci a été endommagé.

- Assurez-vous que toutes les vis et tous les capuchons sont bien serrés en tout temps. Effectuez des inspections quotidiennes pour vérifier la liberté de mouvement de la gâchette et du palpeur de sécurité. N'utilisez jamais l'outil si des pièces sont manquantes, usées ou endommagées.

- Utilisez toujours la deuxième poignée (si fournie).

- N'utilisez que les pièces, clous, lubrifiants et accessoires recommandés ou vendus par SENCO. Ne modifiez pas l'outil sans l'autorisation de SENCO.

- N'utilisez que de l'air comprimé propre, sec et régulé à la pression recommandée.
- Fermez toujours l'alimentation en air et débranchez l'outil lorsqu'il n'est pas utilisé.

- Les outils ne doivent pas être raccordés à une pression susceptible de dépasser de 10 % la pression de service maximale.
- Ne dépassez pas la pression de service maximale (PS max).

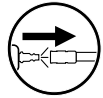
- Les outils marqués d'un triangle inversé ne peuvent être utilisés que s'ils sont équipés d'un palpeur de sécurité valable.



- Les outils sans palpeur de sécurité peuvent être déclenchés involontairement et provoquer des blessures.

- Les supports pour le montage des outils sur un support doivent être conçus et construits par le fabricant du support de manière à ce que l'outil puisse être fixé de manière sûre pour l'utilisation prévue.

- L'outil et le tuyau d'alimentation en air doivent être munis d'un raccord de telle sorte que toute pression soit retirée de l'outil lorsque le raccord d'accouplement est débranché.



- L'air comprimé peut provoquer des blessures graves.
- Débrancher toujours l'outil de l'alimentation en air comprimé avant de changer d'accessoires, d'effectuer des réglages et/ou des réparations, ou de passer d'une zone de travail à une autre.
- Ne dirigez jamais l'air comprimé vers vous-même ou vers quelqu'un d'autre.
- Un tuyau qui fouette peut causer des blessures graves - vérifiez toujours que le tuyau n'est pas endommagé ou desserré.

- Ne chargez pas les clous avec la gâchette ou le palpeur de sécurité enfoncés.

- N'utilisez pas l'outil sans étiquette de danger sur l'outil. Si l'étiquette est manquante, endommagée ou illisible, contactez votre représentant SENCO pour obtenir une nouvelle étiquette.



- N'utilisez jamais un outil qui présente une fuite d'air ou qui a besoin d'être réparé.
- N'utilisez pas l'outil s'il est endommagé.
- Ne jamais porter ou traîner un outil pneumatique par son tuyau.

- N'effectuez aucune réparation d'urgence sans les outils et l'équipement appropriés.
- Vérifiez toujours que l'outil ne présente aucune pièce cassée, mal raccordée, desserrée ou usée avant utilisation.



L'autorisation écrite du fabricant de l'outil doit être obtenue avant d'apporter toute modification à l'outil.




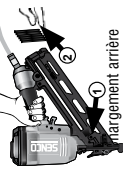
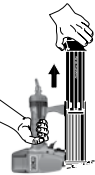
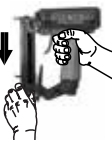
- Gardez les mains et autres parties du corps éloignées de la zone indiquée dans le cercle pour éviter tout risque de blessure pendant le fonctionnement.

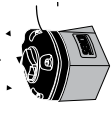

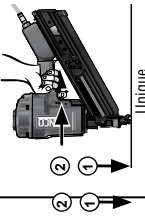
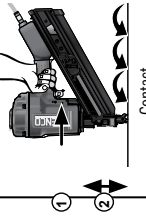

- Gardez les doigts éloignés de la gâchette lorsque vous n'utilisez pas l'outil et lorsque vous vous déplacez d'une position de travail à une autre.



## UTILISATION DE L'OUTIL

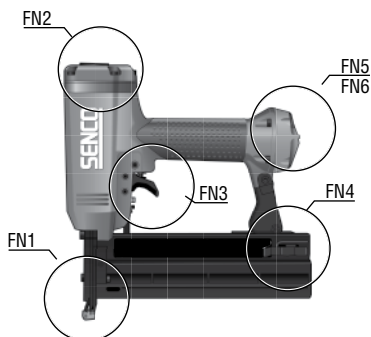
Outil	Chargement	Déchargement	Équipement	Type de déclenchement	Réglage de la profondeur d'enfoncement	Désenrayage	Dispositif de sécurité	Lubrifiant	
SN90CXP	Chargement arrière (A1)	Libérer le patin d'alimentation et le faire glisser vers l'avant (B1)	Réglable (C1)	Dé détente par contact (D2)	Réglable	Via magasin	Dispositif de sécurité	Requis	
SN90FXP			Avant	Séquentiel unique (D1)				Sans huile	
FramePro601			Réglable (C1)	Dé détente par contact (D2)				Requis	
FramePro651			Avant	Séquentiel unique				Sans huile	
SN1602			Avant	Dé poussière à air intégré avant à bouton poussoir				Sélectif	Requis
SN1302			Avant	Réglable (C1)				Séquentiel unique (D1)	Sans huile
S900FN	Chargement latéral (A2)	Pousser le loquet et ouvrir en faisant coulisser le rail (B2)	Réglable (C1)	Dé détente par contact (D2)	Réglable	Portique EZ-Clear (F1)	Dispositif de sécurité	Requis	
SidingPro40			Avant	Séquentiel unique				Sans huile	
FinishPro42XP			Avant	Dé poussière à air intégré réglable à bouton poussoir				Sélectif	Requis
FinishPro16XP			Avant	Réglable (C1)				Séquentiel unique (D1)	Sans huile
FinishPro30XP			Arrière (C2)	Réglable (C1)				Séquentiel unique (D1)	Requis
S250FN			Avant	Dé poussière à air intégré réglable à bouton poussoir				Sélectif	Sans huile
FinishPro35Mg	Chargement par le bas (A3)	Enfoncer le loquet et ouvrir le rail en tirant vers l'arrière (B3)	Avant	Séquentiel unique (D1)	Aucun	Via magasin	Aucun	Requis	
SLP2DXP			Avant	Séquentiel unique (D1)				Sans huile	
SLP2DXP GLN			Arrière (C2)	Réglable (C1)				Séquentiel unique (D1)	Requis
SBM10XP			Arrière (C2)	Réglable (C1)				Séquentiel unique (D1)	Sans huile
FinishPro25XP			Arrière (C2)	Dé détente par contact (D2)				Séquentiel unique (D1)	Requis
FinishPro18Mg			Arrière (C2)	Pousser le loquet et ouvrir en faisant coulisser le rail (B2)				Séquentiel unique (D1)	Sans huile
S200BN	Chargement par le bas (A3)	Enfoncer le loquet et ouvrir le rail en tirant vers l'arrière (B3)	Avant	Séquentiel unique (D1)	Aucun	Via magasin	Aucun	Requis	
S200SM			Arrière (C2)	Réglable (C1)				Séquentiel unique (D1)	Sans huile
FinishPro23SXP			Arrière (C2)	Réglable (C1)				Séquentiel unique (D1)	Requis
FinishPro23LXP			Arrière (C2)	Réglable (C1)				Séquentiel unique (D1)	Sans huile
FinishPro21LXP			Arrière (C2)	Dé détente par contact (D2)				Séquentiel unique (D1)	Requis
FinishPro10			Arrière (C2)	Pousser le loquet et ouvrir le rail en tirant vers l'arrière (B3)				Séquentiel unique (D1)	Sans huile
LS1XP	Arrière (C2)	Enfoncer le loquet et ouvrir le rail en tirant vers l'arrière (B3)	Réglable (C1)	Séquentiel unique (D1)	Aucun	Via magasin	Aucun	Sans huile	

N° d'illustration du schéma	Description	Remarque
A1	 <p>Chargement arrière</p>	<p>Ne pas charger avec la gâchette enfoncée</p> <ol style="list-style-type: none"> <li>1 Connecter à l'alimentation en air</li> <li>2 Insérer la bande de clous - n'utiliser que des attaches SENCO d'origine</li> </ol>
A2	 <p>Chargement latéral</p>	<p>Ne pas charger avec la gâchette enfoncée</p> <ol style="list-style-type: none"> <li>1 Connecter à l'alimentation en air</li> <li>2 Insérer la bande de clous - n'utiliser que des attaches SENCO d'origine</li> </ol>
A3	 <p>Chargement par le bas</p>	<p>Enfoncer le loquet et ouvrir le rail en tirant vers l'arrière</p> <p>Placer la bande d'attaches dans le magasin avec les pointes orientées vers la direction indiquée</p> <p>Ne pas charger avec la gâchette enfoncée</p> <p>Procéder ensuite à l'étape 1 (enfoncer le loquet) et 2 (placer la bande)</p>
B1	 <p>Chargement arrière</p>	<ol style="list-style-type: none"> <li>1 Libérer le patin d'alimentation et pousser-le vers l'avant.</li> <li>2 Retirer les attaches de l'outil</li> </ol>
B2	 <p>Chargement latéral</p>	<p>Enfoncer le loquet et ouvrir le rail en tirant vers l'arrière, retirer les attaches</p>
B3	 <p>Chargement par le bas</p>	<p>Enfoncer le loquet et ouvrir le rail en tirant vers l'arrière, retirer les attaches</p>

N° d'illustration du schéma	Description	Remarque
C1	 <p>Réglable</p>	<p>Le déflecteur peut être tourné pour changer la direction de l'air d'échappement</p>
C2	 <p>Arrière, réglable</p>	<p>Le déflecteur peut être tourné pour changer la direction de l'air d'échappement</p>
D1	 <p>Unique</p>	<ol style="list-style-type: none"> <li>1 Presser le palpeur de sécurité (dispositif de sécurité) contre la surface de travail.</li> <li>2 Appuyer sur la gâchette pour enfoncer l'attache.</li> </ol>
D2	 <p>Contact</p>	<ol style="list-style-type: none"> <li>1 Appuyer sur la gâchette.</li> <li>2 Presser le palpeur de sécurité contre la surface de travail pour enfoncer une attache.</li> </ol> <p>Chaque fois que vous pressez le palpeur de sécurité (dispositif de sécurité) contre la surface de travail, une attache est enfoncée.</p>
F1	 <p>Portique</p>	<p>Déverrouiller le loquet EZ-Clear et ouvrir le portique.</p>

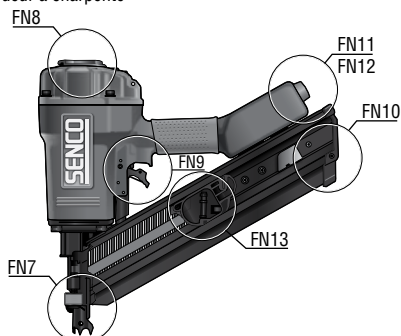
## ÉLÉMENTS DE L'OUTIL

Cloueur de finition



- FN1 Palpeur de sécurité
- FN2 Échappement
- FN3 Gâchette
- FN4 Magasin
- FN5 Arrivée d'air
- FN6 Échappement arrière

Cloueur à charpente



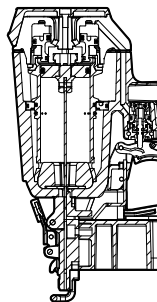
- FN7 Palpeur de sécurité
- FN8 Échappement
- FN9 Gâchette
- FN10 Magasin
- FN11 Arrivée d'air
- FN12 Échappement arrière
- FN13 Patin d'alimentation

## ENTRETIEN

### Avertissement

- Les réparations autres que celles décrites ici ne doivent être effectuées que par du personnel qualifié et formé. Pour obtenir des informations, contacter Senco au : +31 320 295 575.
- Lire la section intitulée "Avertissements de sécurité" avant de procéder à l'entretien de l'outil.
- Utiliser uniquement des pièces de rechange spécifiées par le fabricant ou son représentant autorisé.
- Toutes les vis doivent rester bien serrées. Des vis desserrées entraînent un fonctionnement non sécuritaire et la ruptures de pièces.
- Vérifier une fois par mois
- Avec l'outil débranché, procéder à une inspection quotidienne pour s'assurer de la liberté de mouvement du palpeur de sécurité et de la gâchette. Ne pas utiliser l'outil si le palpeur de sécurité ou la gâchette se bloque ou ne fonctionne pas aisément.
- Injecter de l'huile pneumatique Senco (5 à 10 gouttes) dans l'entrée d'air deux fois par jour (selon la fréquence d'utilisation de l'outil). D'autres huiles peuvent endommager les joints toriques et autres pièces de l'outil.
- Certains outils Senco sont sans huile et NE nécessitent PAS d'huile, vérifier l'étiquette.
- Essuyer l'outil tous les jours pour le nettoyer et vérifier l'absence de signes d'usure. Utiliser des produits de nettoyage non inflammables uniquement si nécessaire.
- **Ne pas faire tremper.**
- **Mise en garde :** d'autres produits peuvent endommager les joints toriques et autres pièces de l'outil.
- Éliminer les produits de nettoyage de façon appropriée.

## DÉPANNAGE



### En cas de bourrage de clous :

- Débrancher l'alimentation en air
- Retirer les attaches
- Supprimer le bourrage
- Suivre la procédure de chargement

	<p><b>SYMPTÔME</b> Fuite d'air près du haut de l'outil / Fonctionnement mou</p>
1	<p><b>SOLUTION</b> Vérifier l'alimentation en air / serrer les vis ou installer le kit de réparation - Voir le manuel des pièces</p>
	<p><b>SYMPTÔME</b> Fuite d'air près du bas de l'outil / Faible retour</p>
2	<p><b>SOLUTION</b> Nettoyer l'outil / serrer les vis ou installer le kit de réparation - Voir le manuel des pièces</p>
	<p><b>SYMPTÔME</b> Autres problèmes.</p>
3	<p><b>SOLUTION</b> Contacter Senco.</p>

## SPÉCIFICATIONS TECHNIQUES

Type d'outil	Pression de service minimale à maximale	Consommation d'air (60 cycles par minute) en litres	Entrée d'air	Vitesse maximale (cycles par seconde)	Poids en kg	Capacité de clous	Taille de l'outil : Hauteur en mm	Taille de l'outil : Longueur en mm	Taille de l'outil : Largeur : Corps principal en mm
<b>Série XtremePro</b>									
SLP20XP	4,8-8,3 bars	52,7	1/4 en NPT	5	1,0	110	210	241	50
SLP20XP GLN	4,8-8,3 bars	52,7	1/4 en NPT	5	1,0	110	210	241	50
SBN10XP	4,5-7,0 bars	19,0	1/4 en NPT	2	0,96	105	167	255	42
LS1XP	4,8-7,5 bars	23,1	1/4 en NPT	5	1,3	100	197	211	51
FinishPro25XP	4,8-8,3 bars	52,7	1/4 en NPT	5	1,2	110	251	249	56
FinishPro30XP	4,8-8,3 bars	61,0	1/4 en NPT	5	1,73	104	244	305	83
FinishPro42XP	4,8-8,3 bars	133,0	1/4 en NPT	5	2,1	104	292	330	89
SN90CXP	4,8-8,3 bars	283,2	3/8 en NPT	2	3,62	70	337	384	106
SN90FXP	4,8-8,3 bars	283,2	3/8 en NPT	2	3,81	60	337	508	106
FinishPro23SXP	4,8-6,9 bars	31,0	1/4 en NPT	5	1,1	100	192	200	44
FinishPro23LXP	4,8-7,6 bars	31,0	1/4 en NPT	5	1,2	100	226	200	44
FinishPro21LXP	4,8-7,6 bars	31,0	1/4 en NPT	5	1,43	100	226	200	44
<b>Série Pro</b>									
FinishPro10	4,8-6,5 bars	21,6	1/4 en NPT	2	1,1	110	168	229	44
FinishPro18Mg	4,8-8,3 bars	68,0	1/4 en NPT	5	1,1	110	247	266	64
FinishPro16XP	4,8-8,3 bars	61,2	1/4 en NPT	3	1,9	110	292	308	81
FinishPro35Mg	4,8-8,3 bars	62,0	1/4 en NPT	5	1,9	110	311	330	86
FramePro601	4,8-8,3 bars	283,2	3/8 en NPT	2	3,62	70	337	384	106
FramePro651	4,8-8,3 bars	311,5	3/8 en NPT	2	3,81	70	362	384	106
SidingPro40	4,8-8,3 bars	172,8	3/8 en NPT	4	2,13	70	323	351	86
SN1602	5,5-8,3 bars	255,0	3/8 en NPT	2	6,2	50-56	478	533	144
SN1302	5,5-8,3 bars	297,0	3/8 en NPT	2	7,0	48-56	500	560	140
<b>Série SemiPro</b>									
S200BN	4,8-8,3 bars	21,6	1/4 en NPT	5	1,4	107	232	251	68
S200SM	4,8-8,3 bars	88,3	1/4 en NPT	5	1,43	85	252	240	68
S250FN	4,8-8,3 bars	128,0	1/4 en NPT	4	2,25	100	303	346	85
S900FN	4,8-8,3 bars	273,8	3/8 en NPT	2	4,2	80	380	500	154

# GAMME DE CLOUS

FR

Type d'outil	Type de clou en mm																	
	0,68	0,84	1,2		1,6	1,8	2,3		2,9		3,1		3,3		3,8	4,2	4,6	
			Tête plate	Tête homme	Sans tête	Lisse	Annelé	Lisse	Annelé	Torsadé	Lisse	Annelé	Torsadé	Lisse	Annelé	Torsadé	Lisse	
SN1602																		
SN1302																		
SN90CXP										50-90	50-75	50-75	50-75	50-90	50-75	50-75	50-90	
SN90FXP										50-90	50-75	50-75	50-75	50-90	50-75	50-75	50-90	
FramePro601										50-90	50-75	50-75	50-75	50-90	50-75	50-75	50-90	
FramePro651										50-100	50-100	50-100	50-100	50-100	50-100	50-100	50-100	
S900FN										50-90	50-75	50-75	50-75	50-90				
SidingPro40								45-60	45-60									
FinishPro42XP								32-63	32-63									
FinishPro30XP								25-50	25-50									
FinishPro35Mg								32-63	32-63									
S250FN								32-63	32-63									
SLP20XP								16-42	16-42									
SLP20XP GLIN								16-42	16-42									
FinishPro10	12-25																	
SBN10XP								12-25	12-25									
LS1XP									13-25									
FinishPro25XP								16-54	16-42									
FinishPro18Mg								16-54										
S200BN								16-50										
FinishPro16XP										32-63								
S200SM										15-50								
FinishPro23SXP	12-35																	
FinishPro23LXP	12-50																	
FinishPro21LXP		15-50																



## INFORMATIONS SUR LE NIVEAU DE BRUIT

<b>Informations sur le niveau de bruit</b> conformément à la norme EN12549	Ces valeurs sont des valeurs caractéristiques liées à l'outil et ne représentent pas le bruit généré au point d'utilisation. La conception du poste de travail peut également servir à réduire les niveaux sonores, par exemple en plaçant la pièce sur des supports insonorisants.
<b>Informations sur les vibrations</b> conformément à la norme ISO8662-11	Cette valeur est une valeur caractéristique liée à l'outil et ne représente pas l'influence sur l'ensemble main-bras lors de l'utilisation de l'outil.

Type d'outil	Niveau de pression acoustique (LpA) dB	Niveau de puissance acoustique (LwA) dB	Niveau de vibrations m/s <sup>2</sup>
<b>Série XtremePro</b>			
SLP20XP	83	89	1,18
SLP20XP GLN	83	89	1,18
SBN10XP	78,6	87,77	1,7
LS1XP	84	89	<2,5
FinishPro25XP	89	94	<2,5
FinishPro30XP	85	98	<2,5
FinishPro42XP	89	94	<2,5
SN90CXP	96	101	4
SN90FXP	96	101	4
FinishPro23SXP	47,8	60,8	1,63
FinishPro23LXP	47,8	60,8	1,63
FinishPro21LXP	47,8	60,8	1,63
<b>Série Pro</b>			
FinishPro10	81	86	<2,5
FinishPro18Mg	68	78,8	<2,5
FinishPro16XP	93,7	106,7	<2,5
FinishPro35Mg	87,6	93,2	2,9
FramePro601	96	101	3,7
FramePro651	97	101	3,67
SidingPro40	84	97	2,6
SN1602	95,9	132	8,3
SN1302	93	106	4
<b>Série SemiPro</b>			
S200BN	91	104	<2,5
S200SM	91	104	<2,5
S250FN	91	104	<2,5
S900FN	85	90	2,5

FR

## ACCESSOIRES

SENCO propose une gamme complète d'accessoires pour vos outils SENCO, incluant :

- Compresseurs d'air
- Tuyaux
- Coupleurs
- Raccords
- Lunettes de sécurité
- Manomètres
- Lubrifiants
- Régulateurs
- Filtres



Pour plus d'informations ou un catalogue illustré complet des accessoires SENCO, consulter SENCO.EU.



## SISÄLLYSLUETTELO

Työnantajan vastuut .....	43
Yleinen kuvaus .....	43
Varoitukset .....	43
Turvallisuusvaroitukset .....	44
Työkalan käyttö .....	46
Huolto .....	48
Vianmääritys .....	48
Tekniset tiedot .....	49
Naulausalue .....	50
Melutasotiedot .....	51
Lisävarusteet .....	51
Vaatimustenmukaisuusvakuutus .....	132
Rajoitettu takuu .....	134

FI

### TYÖNANTAJAN VASTUUT



On työnantajan vastuulla varmistaa, että kaikki työkalua käyttävät henkilökunnan jäsenet ovat lukeneet ja ymmärtävät nämä käyttöohjeet.

Säilytä tämä käyttöohje mahdollista

myöhempiä tarvetta varten. Riskien arviointi ja kaikkia vaaroja koskevien hallintatapojen implementaatio ovat ehdottomia.

### TYÖPAIKAN VAARAT

Huomioi seuraavat:

- Liukastuminen, kompastuminen ja putoaminen ovat suurimpia työpaikkaloukkaantumisten aiheuttajia. Varo työkalun käytöstä johtuvia liukkaita pintoja ja ilmaletkun aiheuttamia kompastusvaaroja.
- Ole erityisen varovainen tuntemattomassa ympäristössä. Piilovaaroja saattaa olla olemassa, kuten sähköön tai muihin utiliteetteihin liittyviä.
- Tätä työkalua ei ole tarkoitettu käytettävän räjähdysalttiissa ympäristöissä, eikä sitä ole eristetty sähköverkosta.
- Varmista, ettei ympäristössä ole sähköjohtoja, kaasuputkia jne., jotka voivat aiheuttaa vaaratilanteen, jos työkalu vaurioittaa niitä.

### PÖLY- ja POISTOILMAVAARAT

Jos työkalua käytetään alueella, jossa on pölyä, työkalu saattaa pölyttää sitä ja aiheuttaa vaaran.

Huomioi seuraavat:

- Riskienhallinnassa tulee huomioida työkalun käytöstä aiheutuva pöly ja olemassa olevan pölyn pölyämisen mahdollisuus.
- Ohjaa ilmanpoisto siten, että pölyisen ympäristön pölyn aiheuttamat häiriöt minimoituvat.
- Jos ympäristössä on pölyyn tai poistoilmaan liittyviä vaaroja, tärkeintä on hallita niitä päästöpiesteessä.

### YLEINEN KUVAUS

- Käsikäyttöinen sähköinen naulaustyökalu, joka koostuu paineilmamoottorista, ohjainrungosta ja lippaasta, jossa virtaa johdetaan lineaarisella liikkeellä ladattuun naulaan ja jolla ammutaan naula tiettyihin materiaaleihin, paitsi jos käytetään erityisiä nauloja, jotka on tarkoitettu käytettäväksi betoniin tai teräkseen.
- Muunlainen käyttö on kielletty.

### VAROITUKSET:

Symbolilla merkityjä työkaluja tulee käyttää vain tuotantokäyttöön. Muunlainen käyttö on kielletty.

- Älä pidä sormeasi liipaisimella nostaessasi työkalun, siirtäessäsi sitä käyttöalueiden välillä tai kävellessäsi – sormen pitäminen liipaisimella voi johtaa työkalun tahattomaan laukaisemiseen. Työkalut, joiden käyttötila on valittavissa: tarkista aina työkalu ennen käyttöä ja varmista, että oikea käyttötila on valittuna.
- Tässä työkalussa on joko selektiivinen kosketuskäyttö tai jatkuva kosketuskäyttö käyttötilavalitsimella, tai se on kosketuskäytön tai jatkuvan kosketuskäytön työkalu ja merkitty yllä olevalla symbolilla. Se on suunniteltu tuotantokäyttöön, kuten lavoihin, huonekaluihin, valmistaloihin, verhoiluihin ja vuoraukseen.
- Jos tätä työkalua käytetään selektiivisessä käyttötilassa, varmista aina, että se on oikealla käyttöasetuksella.
- Älä käytä tätä työkalua kosketuskäyttötilassa töihin, kuten laatikoiden tai kuljetuslaatikoiden sulkemiseen tai kuljetusturvallisuusjärjestelmien kiinnittämiseksi peräkärryihin ja kuorma-autoihin.
- Ole varovainen, kun siirryt käyttöpaikasta toiseen.



## TURVALLISUUSVAROITUKSET

- Lue ja ymmärrä nämä varoitukset estääksesi itsesi tai sivullisten loukkaantumisen. Lue lisätietoja työkalun käyttöön, huoltoon ja viannäaritykseen liittyvistä osioista.
- Varoitusten sivuuttaminen voi johtaa vakaviin vammoihin.
- Älä hävitä näitä ohjeita.



- Työkalun käyttäjien ja muiden työalueella olevien henkilöiden tulee käyttää iskunkestäviä silmäsuojuja, joissa on myös sivusuojat. Jos näin ei tehdä, voi seurauksena olla vakava vammaantuminen. CE-merkintä, joka vastaa standardia EN166



- Käytä aina muuta suojavaatetusta, kuten kuulosuojaimia, suojakäsineitä ja suojakypärää.
- Käytä vain suojakäsineitä, joiden läpi tunnet kunnolla ja joilla pystyt turvallisesti hallitsemaan liipaisimia ja säätölaitteita.
- Työkalun käyttäjien ja muiden työskentelyalueella olevien henkilöiden tulee käyttää kuulosuojaimia.
- Korkealle melutasolle altistuminen suojaamattomana voi aiheuttaa peruuttamattoman, elämää häiritsevän kuulon heikentymisen ja muita ongelmia, kuten tinnitusta (korvien soiminen, särinä, vihellys tai humina).
- Asianmukaisia toimia riskien vähentämiseksi ovat muun muassa vaimentavat materiaalit, jotka estävät työmateriaaleja "soimasta".
- Käytä asianmukaisia kuulosuojaimia.
- Käytä ja huolla työkalua näiden ohjeissa suositellaan välttyäksesi turhalta melutason kasvulta.
- Jos työkalussa on vaimennin, varmista aina, että se on paikallaan ja kunnossa, kun työkalua käytetään.



- Tärinälle altistuminen voi vahingoittaa käsien ja käsivarsien hermoja ja verenkiertoa.
- Käytä lämpimiä vaatteita työskennellessäsi kylmissä olosuhteissa. Pidä kätesi lämpiminä ja kuivina.
- Jos sormiesi tai käsiesi ihossa tuntuu puutumista, kihelmöintiä tai kipua tai se muuttuu valkoiseksi, hakeudu työterveyslääkäriin.
- Käytä ja huolla työkalua näiden ohjeiden suositusten mukaisesti välttyäksesi turhalta tärinätason kasvulta.
- Pitele työkalua kevyesti mutta turvallisesti, koska tärinän riski on yleisesti suurempi, kun työkalusta pitää tiukemmin kiinni.

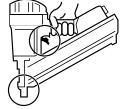


- Pysy valppaana, kiinnitä huomiota tekemäsi ja käytä maalaisjärkeä käyttäessäsi sähkötyökalua. Älä käytä työkalua väsyneenä tai ollessasi huumeiden, alkoholin tai lääkkeiden vaikutuksen alaisena. Hetkellisenkin keskittyminen herpaantuminen sähkötyökalujen käytön aikana voi johtaa vakavaan henkilövahinkoon.

- Käytä vain ohjeiden mukaista virransyöttöä
- Älä koskaan käytä happea, hiilidioksidia tai muuta pulloitettua kaasua tämän työkalun virtalähteenä; työkalu räjähtää ja aiheuttaa vakavia vammoja.
- Hapen tai syttyvien kaasujen käyttö paineilmatyökaluissa aiheuttaa tulipalo- tai räjähdysvaaran.

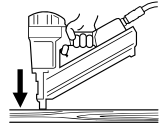


- Poista aina sormi liipaisimelta, kun et ammu nauloja. Älä koskaan kannna työkalua siten, että sormesi on liipaisimen päällä tai alla. Työkalu ampuu naulan, kun turvakärkeä kosketetaan.
- Käyttämätöntä työkalua tulee pitää kyljellään ja irrotettuna paineilimasta.
- Kun työkalua ei käytetä, sormi tulee ottaa pois liipaisimelta ja työkalu tulee asettaa sellaiseen asentoon, ettei turvakärki aktivoitu.



- Oleta aina, että työkaluun on ladattu nauloja. Älä osoita työkalulla itseäsi tai muita kohti. Työkalulla ei saa leikkiä. Työkalua tulee pitää apuvälineenä.
- Pidä kädet ja jalat poissa ampumissuunnasta.
- Vain pätevien käyttäjien tulee käyttää naulainta.

- Ammu nauloja vain työmateriaaleihin; älä koskaan materiaaleihin, jotka ovat liian kovia nauloille.
- Teräkselle ja betonille tarkoitettuja työkaluja tulee painaa voimakkaammin.
- Työkalun käytön aikana työmateriaalista ja keräysjärjestelmästä voi lentää pirstaleita.
- Varmista, että työkalu on aina turvallisesti kiinni työmateriaalissa eikä pysty luiskahtamaan irti.

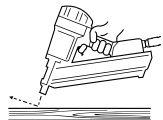


- Työkaluja, joissa on "kosketuskäyttö", ei tule käyttää:
  - Jos käyttöpaikkojen välillä on portaita, tikapuita tai rakennustelineitä.
  - Laatikoiden tai säilytyslaatikoiden sulkemiseen.
  - Kuljetusturvallisuusjärjestelmien kiinnittämiseen.
  - Liikkuviin alustoihin
- Lue ja ymmärrä selektiiviseen käyttötilaan liittyvät riskit "Työkalun käyttö" -osiossa.



- Älä paina työkalua kovaa. Anna työkalun tehdä työt. Käytä työhön sopivaa työkalua. Oikeanlainen työkalu tekee työn paremmin ja turvallisemmin sen suunnitellulla nopeudella.
- Älä nojaa liian pitkälle työkalun yli.
- Pidä jalat tukevassa asennossa ja tasapainoa yllä.

- Älä ammu nauloja muiden naulojen päälle tai siten, että työkalu on liian jyrkässä kulmassa.
- Naula saattaa kimmota ja aiheuttaa loukkaantumisen.



- Työkalua käytettäessä tulee ottaa huomioon työkalun mahdollinen takaisku naulaa ammuttaessa. Jos turvakärjen annetaan tahattomasti koskettaa työkalupaleen pintaa takaiskun jälkeen, työkalu ampuu naulan tahattomasti. Anna työkalun takaiskun ohjautua kokonaan pois työmateriaalin pinnasta naulan ampumisen jälkeen tämän välttämiseksi. Älä paina turvakärkeä työmateriaalin pintaan, ellet halua ampua toista naulaa.

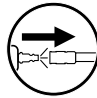


- Pitele työkalua oikein tiukalla otteella ja valmistaudu vastustamaan ja hallitsemaan tavallisia tai äkinäisiä liikkeitä, kuten takaiskua. Otteen tulee olla turvallinen ja oikeanlainen, jotta tärinän vaara, joka voi aiheuttaa vakavan loukkaantumisen, vähenee.
- Seiso tasapainoisesti ja pidä jalat vankasti maassa.
- Ole varovainen paineilmatyökaluja käyttäessäsi, sillä työkalusta tulee kylmä. Tämä voi vaikuttaa otteeseen ja työkalun hallintaan.

- Älä ammu nauloja lähellä työmateriaalin pinnan reunaa.
- Naula saattaa kimmota ja aiheuttaa loukkaantumisen.
- Pidä sivulliset kaukana.
- Merkitse työalueesi selkeästi.

- Kytke paineilma pois päältä ennen työkalun huoltoimenpiteitä, jumiutuneen naulan poistamista, säätöjen tekemistä, työaluelta poistamista, työkalun siirtämistä tai sen antamista toiselle henkilölle.



- Työkalu saattaa vapauttaa naulan, kun paineilma kytetään päälle;  poista siksi kaikki naulat työkalusta ennen ilmaletkun kiinnittämistä.
- Käsittele nauloja varoen työkalua täytettäessä/tyhjennettäessä. Naulat ovat teräviä.
- Älä koskaan käytä työkalua, jos turvakärki, liipaisin tai jouset eivät toimi, puuttuvat tai ovat vaurioituneet. Älä peukaloi tai irrota turvakärkeä, liipaisinta tai jousia.
- Muutokset saattavat heikentää turvallisuusstoimenpiteiden tehokkuutta ja kasvattaa työkalun käyttäjään / sivullisiin kohdistuvia riskejä.
- Älä käytä työkalua, jos se on vaurioitunut.

- Varmista aina, että kaikki ruuvit ja suojukset ovat kunnolla kiinni. Tarkista päivittäin liipaisimen ja turvakärjen vapaa liikkuvuus. Älä koskaan käytä työkalua, jos siitä puuttuu osia tai ne ovat kuluneet tai vaurioituneet.
- Käytä aina toista kahvaa (jos se toimitetaan tuotteen mukana)

- Käytä vain SENCON suosittelimia tai myymiä osia, nauloja, voiteluaineita ja lisävarusteita. Älä muokkaa työkalua ilman SENCON lupaa.

- Käytä vain puhdasta, säänneltyä paineilmaa suositellulla paineella.
- Sammuta aina paineilman syöttö ja irrota työkalu siitä, kun sitä ei käytetä.

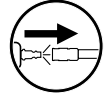
- Työkaluja ei saa yhdistää paineeseen, joka saattaa ylittää enimmäiskäyttöpaineen 10 prosentilla.
- Älä ylitä enimmäiskäyttöpainetta.

- Työkaluja, jotka on merkitty ylölalaisin olevalla kolmiolla, ei saa käyttää, ellei niissä ole toimivaa turvakärkeä.



- Työkalut, joissa ei ole turvakärkeä, voivat ampuu tahattomasti, mikä voi aiheuttaa loukkaantumisen.
- Työkaluliteiden valmistajien tulee suunnitella ja rakentaa telineet siten, että työkalu voidaan kiinnittää siihen turvallisesti sen tarkoitettua käyttötarkoitusta varten.

- Työkalussa ja ilmansyöttöletkussa tulee olla liittinippa, jonka avulla kaikki paine voidaan poistaa työkalusta, kun liitin irrotetaan.
- Paineilma voi aiheuttaa vakavan loukkaantumisen.



- Irrota aina työkalu paineilman syötöstä ennen lisävarusteiden vaihtamista, säätöjen tekoa tai korjaustoimenpiteitä, tai kun siirryt työkalun käyttöalueelta toiselle alueelle.
- Älä koskaan kohdista paineilmaa itseäsi tai muita kohti.
- Letkun irtoaminen voi aiheuttaa vakavan loukkaantumisen – tarkista aina, ettei letku ole vaurioitunut tai löysästi kiinni.

- Älä lataa nauloja siten, että liipaisin tai turvakärki on painettuna alas.

- Älä käytä työkalua ilman varoitusarraa. Jos tarrapuuttuu, se on vaurioitunut tai lukukelvoton, ota yhteyttä SENCON-edustajaan saadaksesi uuden tarran.



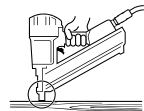
- Älä koskaan käytä työkalua, joka vuotaa ilmaa tai vaatii korjausta.
- Älä käytä työkalua, jos se on vaurioitunut.
- Älä koskaan kannata tai vedä paineilmatyökalua sen letkusta.

- Älä suorita ”hätkörjauksia” ilman asianmukaisia työkaluja ja varusteita.
- Tarkista aina työkalu ennen käyttöä rikkoutuneiden, irronneiden, löysien tai kuluneiden osien varalta.




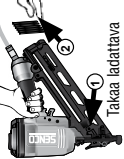
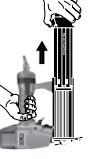



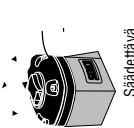

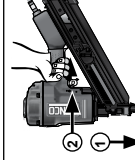
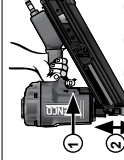
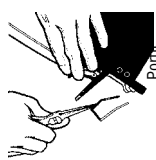
Työkalun valmistajan kirjallinen suostumus tulee saada ennen työkalun muokkaamista millään tavalla.

- Pidä kädet ja muut ruumiinosat poissa ympyrässä näytetyltä alueelta välttyäksesi mahdolliselta loukkaantumiselta käytön aikana.
- Pidä sormet poissa liipaisimelta, kun työkalua ei käytetä ja kun siirryt yhdeltä käyttöalueelta toiselle.



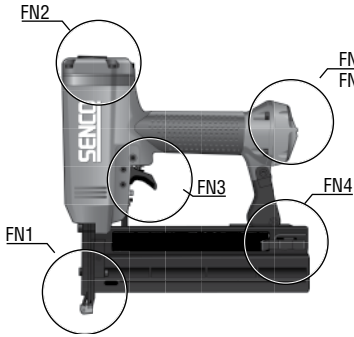
Työkalu	Lataaminen	Purkaminen	Ilmanpoisto	Lipaisimen tyyppi	Neulaussyvyyden säätö	Tukosten poistaminen	Turvaosa	Voitelu
SN90CXP			Säädettävä (C1)	Laukaisu pohjasta (D2)		Lippaasta		Vaaditaan
SN90FXP			Etuosa	Yksitoiminen peräkkäinen (D1)				
FramePro601			Säädettävä (C1)	Laukaisu pohjasta (D2)	Säädettävä			
FramePro651			Etuosa	Yksitoiminen peräkkäinen				Öljytön
SN1602		Vapautta syöttimen luisi ja työntä se eteenpäin (B1)	Etuosa	Valittava		EZ-Clear-portti (F1)	Turvaosa	Vaaditaan
SN1302	Takaa ladattava (A1)		Edessä - pölypoistajan painike	Yksitoiminen peräkkäinen (D1)				
S900FN			Säädettävä (C1)	Valittava				
SidingPro40			Säädettävä (C1)					
FinishPro42XP			Säädettävä - pölypoistajan painike					
FinishPro16XP			Etuosa		Ei ole			Öljytön
FinishPro30XP			Etuosa	Yksitoiminen peräkkäinen (D1)	Ei ole	Lippaasta		Öljytön
S250FN			Takana (C2)		Ei ole			Vaaditaan
FinishPro35Mg			Etuosa	Laukaisu pohjasta (D2)				Öljytön
SLP20XP			Säädettävä (C1)					
SLP20XP GLIN			Säädettävä (C1)					
SBM10XP			Etuosa					
FinishPro25XP			Takana (C2)	Laukaisu pohjasta (D2)				
FinishPro18Mg		Paina saippaa ja työntä kisko auki (B2)	Etuosa					
S200BN	Sivusta ladattava (A2)		Takana (C2)			EZ-Clear-portti (F1)		
S200SM			Etuosa					
FinishPro23SXP			Takana (C2)	Yksitoiminen peräkkäinen (D1)	Säädettävä			Vaaditaan
FinishPro23LXP			Takana (C2)					
FinishPro21LXP			Takana (C2)					
FinishPro10	Pohjasta ladattava (A3)	Paina saippaa ja työntä kisko auki (B3)	Etuosa					Öljytön
LS1XP								

Matrissikuva nro	Kuvaus	Kuvaan liittyvät huomautukset
A1	 Takaa ladattava	Älä lataa, kun liipaisin on painettuna ① Kyrkke painelma ② Laita naulat paikalleen - käytä vain alkuperäisiä SENCO-nauloja
A2	 Sivusta ladattava	Älä lataa, kun liipaisin on painettuna ① Kyrkke painelma ② Laita naulat paikalleen - käytä vain alkuperäisiä SENCO-nauloja
A3	 Pohjasta ladattava	Paina salppaa, liukukisko aukeaa Laita naukakampa lippaaseen siten, että kärjet osoittavat näyrteytyyn suuntaan Älä lataa, kun liipaisin on painettuna sitteen ovat vuorossa kohdat 1 (paina salppaa) ja 2 (laita naukakammat paikalleen)
B1	 Takaa ladattava	① Vapautta syöttimen luisti ja työmää se eteenpäin. ② Poista naulat työkalusta
B2	 Sivusta ladattava	Paina salppaa, työmää kisko auki ja poista naulat
B3	 Pohjasta ladattava	Paina salppaa, työmää kisko auki ja poista naulat

Matrissikuva nro	Kuvaus	Kuvaan liittyvät huomautukset
C1	 Säädettävä	Ilmanohjainta voidaan kääntää poistoilman suunnan vaihtamista varten
C2	 Takana, säädettävä	Ilmanohjainta voidaan kääntää poistoilman suunnan vaihtamista varten
D1	 Yksittäinen	① Paina turvakätki (turvaosa) työkalupaleen pirttaa vasten. ② Vedä liipaisimesta, jolloin nautla laukaistaan.
D2	 Pohja	① Vedä liipaisimesta. ② Paina turvakätkä työkalupaletta vasten ja ammu nautla. Joka kerta, kun painat turvakätkä (turvaosa) työkalupaletta vasten, nautla ammutaan.
F1	 Pohja	Vapautta E-Z Clear -salppa ja avaa luukku.

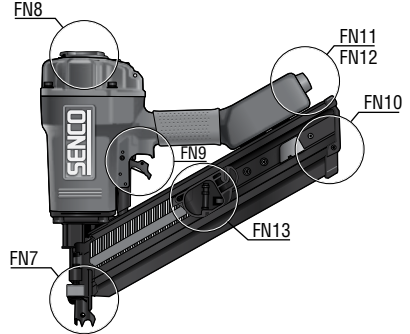
## TYÖKALUN OSAT

Viimeistelynaulain



FN1	Turvakärki
FN2	Poistoaukko
FN3	Liipaisin
FN4	Lipas
FN5	Tuloaukko
FN6	Ilmanpoisto takana

Kehystysnaulain



FN7	Turvakärki
FN8	Poistoaukko
FN9	Liipaisin
FN10	Lipas
FN11	Tuloaukko
FN12	Ilmanpoisto takana
FN13	Syöttimen luisti

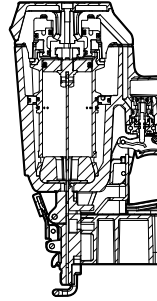
FI

## HUOLTO

### Varoitus

- Muut kuin tässä kuvatut korjaukset saa suorittaa vain koulutettu ja pätevä henkilöstö. Voit ottaa yhteyttä SENCOon soittamalla numeron: +31 320 295 575
  - Lue osa "Turvavaroitukset" ennen koneen huoltoa.
  - Käytä vain valmistajan tai valtuutetun jälleenmyyjän määrittelemiä varaosia.
- 
- Kaikkien ruuvien kireys on varmistettava. Löysät ruuvit vaarantavat turvallisuuden ja aiheuttavat osien rikkoutumisen.
  - Kuukausittainen tarkastus
- 
- Kytke työkalu pois päältä ja tee päivittäinen tarkastus, jotta varmistat turvakärjen ja liipaisimen vapaan liikkuvuuden. Älä käytä työkalua, jos turvakärki tai liipaisin jumittuvat.
- 
- Ruiskuta paineilmalaitteille tarkoitettua Senco-öljyä (5-10 tippaa) ilma-aukkoon päivittäin (riippuu työkalun käyttöasteesta). Muut öljyt voivat vahingoittaa O-renkaita ja työkalun muita osia.
  - Jotkin Senco-työkalut ovat öljyttömiä EIVÄTKÄ tarvitse öljyä. Lue tavaraseloste.
- 
- Pyyhi työkalu puhtaaksi päivittäin ja tarkasta kulumien varalta. Käytä syttymättömiä puhdistusnesteitä vain, jos se on välttämätöntä.
  - **Älä liota työkalua.**
  - **Varoitus:** Sellaiset liuokset voivat vahingoittaa O-renkaita ja työkalun muita osia.
  - Hävitä puhdistusaineet asianmukaisella tavalla.

## VIANETSINTÄ



### Mikäli naulat jumittuvat:

- Kytke paineilma pois päältä.
- Poista naulat
- Poista tukos
- Noudata latausmenettelyä

1	<p><b>OIRE</b> Ilmaa vuotaa työkalun yläosasta. / työkalu toimii hitaasti</p> <p><b>RATKAISU</b> Tarkista paineilman syöttö / kiristä ruuvit tai asenna korjaussarja - katso varaosakirjaa</p>
2	<p><b>OIRE</b> Ilmaa vuotaa työkalun alaosan lähellä / työkalu toimii heikosti</p> <p><b>RATKAISU</b> Puhdista työkalu / kiristä ruuvit tai asenna korjaussarja - katso varaosakirjaa</p>
3	<p><b>OIRE</b> Muita ongelmia.</p> <p><b>RATKAISU</b> Ota yhteyttä SENCOon.</p>



## TEKNISET TIEDOT

Työkalun tyyppi	Minimi- maksimikäyttöpaino	Ilmankulutus (60 kierrosta minuutissa) litroina	Ilman sisäänvalo	Maksiminopeus (kierrosta sekunnissa)	Paino kg	Naulakapasiteetti	Työkalun koko: Korkeus mm	Työkalun koko: Pituus mm	Työkalun koko: Leveys: Päärunko mm
<b>XtremePro-sarja</b>									
SLP20XP	4,8-8,3 bar	52,7	1/4 in NPT	5	1,0	110	210	241	50
SLP20XP GLN	4,8-8,3 bar	52,7	1/4 in NPT	5	1,0	110	210	241	50
SBN10XP	4,5-7,0 bar	19,0	1/4 in NPT	2	0,96	105	167	255	42
LS1XP	4,8-7,5 bar	23,1	1/4 in NPT	5	1,3	100	197	211	51
FinishPro25XP	4,8-8,3 bar	52,7	1/4 in NPT	5	1,2	110	251	249	56
FinishPro30XP	4,8-8,3 bar	61,0	1/4 in NPT	5	1,73	104	244	305	83
FinishPro42XP	4,8-8,3 bar	133,0	1/4 in NPT	5	2,1	104	292	330	89
SN90CXP	4,8-8,3 bar	283,2	3/8 in NPT	2	3,62	70	337	384	106
SN90FXP	4,8-8,3 bar	283,2	3/8 in NPT	2	3,81	60	337	508	106
FinishPro23SXP	4,8-6,9 bar	31,0	1/4 in NPT	5	1,1	100	192	200	44
FinishPro23LXP	4,8-7,6 bar	31,0	1/4 in NPT	5	1,2	100	226	200	44
FinishPro21LXP	4,8-7,6 bar	31,0	1/4 in NPT	5	1,43	100	226	200	44
<b>Pro-sarja</b>									
FinishPro10	4,8-6,5 bar	21,6	1/4 in NPT	2	1,1	110	168	229	44
FinishPro18Mg	4,8-8,3 bar	68,0	1/4 in NPT	5	1,1	110	247	266	64
FinishPro16XP	4,8-8,3 bar	61,2	1/4 in NPT	3	1,9	110	292	308	81
FinishPro35Mg	4,8-8,3 bar	62,0	1/4 in NPT	5	1,9	110	311	330	86
FramePro601	4,8-8,3 bar	283,2	3/8 in NPT	2	3,62	70	337	384	106
FramePro651	4,8-8,3 bar	311,5	3/8 in NPT	2	3,81	70	362	384	106
SidingPro40	4,8-8,3 bar	172,8	3/8 in NPT	4	2,13	70	323	351	86
SN1602	5,5-8,3 bar	255,0	3/8 in NPT	2	6,2	50-56	478	533	144
SN1302	5,5-8,3 bar	297,0	3/8 in NPT	2	7,0	48-56	500	560	140
<b>SemiPro-sarja</b>									
S200BN	4,8-8,3 bar	21,6	1/4 in NPT	5	1,4	107	232	251	68
S200SM	4,8-8,3 bar	88,3	1/4 in NPT	5	1,43	85	252	240	68
S250FN	4,8-8,3 bar	128,0	1/4 in NPT	4	2,25	100	303	346	85
S900FN	4,8-8,3 bar	273,8	3/8 in NPT	2	4,2	80	380	500	154

Naulan tyyppi millimetreinä

Työkulun tyyppi	0.68	0.84	1.2 Normaali kanta	1.2 Uppo-kannaton kanta	1.6	1.8	2.3		2.9		3.1		3.3		3.8	4.2	4.6
							Smooth	Rengas	Smooth	Rengas	Smooth	Rengas	Smooth	Rengas			
SN1602																	
SN1302															100-160	100-160	100-160
SN90CXp									50-90	50-75	50-90	50-75	50-90	50-75	90-130	90-130	
SN90FXp									50-90	50-75	50-90	50-75	50-90	50-75	50-90	50-90	
FramePro601									50-90	50-75	50-90	50-75	50-90	50-75	50-90	50-90	
FramePro651									50-100	50-100	50-100	50-100	50-100	50-100	50-100	50-100	
S900FN									50-90	50-75	50-90	50-75	50-90	50-75			
SidingPro40								45-60									
FinishPro42XP							32-63										
FinishPro30XP							25-50										
FinishPro35Mg							32-63										
S250FN							32-63										
SLP20XP			16-42														
SLP20XP GLN			16-42														
FinishPro10	12-25																
SBN10XP			12-25														
LS1XP				13-25													
FinishPro25XP			16-54	16-42													
FinishPro18Mg			16-54														
S200BN			16-50														
FinishPro16XP					32-63												
S200SM					15-50												
FinishPro23SXP	12-35																
FinishPro23LXP	12-50																
FinishPro21LXP		15-50															

## MELUTASOTIEDOT

### Melutasotiedot

EN12549:n mukaisesti

Nämä arvot ovat työkalusta riippuvia tyypillisiä arvoja eivätkä kuvaa melua, joka syntyy käyttöpaikalla. Työpiste voidaan myös suunnitella siten, että vähennetään melua, esimerkiksi asettamalla työkappale ääntä vaimentavien tukien päälle.

### Tärinään liittyvää tietoa

ISO8662-11:n mukaisesti

Tämä arvo on työkalukohtainen ominaisarvo, eikä se kerro vaikutusta käteen/käsivarteen työkalun käytön aikana.

Työkalun tyyppi	Äänenpainetaso (Lpa) dB	Äänenvoimakkuus (Lwa) dB	Tärinätaaso m/s <sup>2</sup>
<b>XtremePro-sarja</b>			
SLP20XP	83	89	1,18
SLP20XP GLN	83	89	1,18
SBN10XP	78,6	87,77	1,7
LS1XP	84	89	<2,5
FinishPro25XP	89	94	<2,5
FinishPro30XP	85	98	<2,5
FinishPro42XP	89	94	<2,5
SN90CXP	96	101	4
SN90FXP	96	101	4
FinishPro23SXP	47,8	60,8	1,63
FinishPro23LXP	47,8	60,8	1,63
FinishPro21LXP	47,8	60,8	1,63
<b>Pro-sarja</b>			
FinishPro10	81	86	<2,5
FinishPro18Mg	68	78,8	<2,5
FinishPro16XP	93,7	106,7	<2,5
FinishPro35Mg	87,6	93,2	2,9
FramePro601	96	101	3,7
FramePro651	97	101	3,67
SidingPro40	84	97	2,6
SN1602	95,9	132	8,3
SN1302	93	106	4
<b>SemiPro-sarja</b>			
S200BN	91	104	<2,5
S200SM	91	104	<2,5
S250FN	91	104	<2,5
S900FN	85	90	2,5

## LISÄVARUSTEET

SENCO tarjoaa kattavan valikoiman lisävarusteita SENCO-työkaluille, mukaan lukien:

- Ilmakompressorit
- Letkut
- Liittimet
- Kiinnittimet
- Suojalasit
- Painemittarit
- Voiteluaineet
- Säätitimet
- Suodattimet

Lisätietoja tai kuvitetun luettelon SENCON lisävarusteista saa osoitteesta SENCO.EU.





## INNHOLDSFORTEGNELSE

Arbeidsgivers ansvar .....	53
Generell beskrivelse .....	53
Advarsler .....	53
Sikkerhetsadvarsler .....	54
Bruk av verktøyet.....	56
Vedlikehold .....	58
Feilsøking .....	58
Tekniske data.....	59
Spikerområde .....	60
Støynformasjon.....	61
Ekstraustyr.....	61
Samsvarserklæring.....	132
Begrenset garanti .....	134

NO

### ARBEIDSGIVERS ANSVAR



Det er arbeidsgiverens ansvar å sørge for at denne bruksanvisningen er lest og forstått av alle ansatte som skal ta i bruk verktøyet. Ha bruksanvisningen tilgjengelig for fremtidig bruk. Risikovurdering og implementering av nødvendige kontroller for alle farer er ekstremt viktig.

### FARE PÅ ARBEIDSPLASSEN

Følgende gjelder:

- Å snuble, skli eller falle er hovedårsakene til at skader oppstår på arbeidsplassen. Vær oppmerksom på glatte overflater forårsaket av bruk av verktøyet, samt farer som kan oppstå på grunn av luftslangen.
- Bruk verktøyet med ekstra forsiktighet i ukjente omgivelser. Det kan finnes skjulte farer som elektrisitet eller andre ledninger.
- Dette verktøyet er ikke ment til bruk i potensielt eksplosive atmosfærer, og er ikke isolert fra å komme i kontakt med elkraft.
- Sørg for at det ikke finnes elektriske kabler, gassrør etc. i nærheten som kan forårsake farer hvis de skades av verktøyet.

### STØV- OG UTBLÅSINGSFARE

Hvis verktøyet brukes i et område med statisk støv, kan det forstyrre støvet og føre til fare.

Følgende gjelder:

- Risikovurdering bør inkludere støv som oppstår ved bruk av verktøyet og den potensielle mengden forstyrrende og eksisterende støv.
- Rett utblåsingen for å minimere forstyrrelsen av støv i et støvpreget miljø.
- I tilfeller der det oppstår støv- eller utblåsingsfarer, skal det prioriteres å kontrollere dem ved utslippspunktet.

### GENERELL BESKRIVELSE

- Håndholdt spikerpistol med festeelement som består av et trykkluftaggregat, hovedhus og magasin der energi brukes i en lineær bevegelse til en ladet spiker med formål om å skyte spikeren inn i bestemte materialer, med mindre det brukes en spesialutviklet spiker ment til bruk på stål eller betong.
- All annen bruk er forbudt.

### ADVARSLER

Verktøy med dette symbolet skal kun brukes til produksjonsarbeid. All annen bruk er forbudt.

- Ikke hvil fingeren på avtrekkeren når du plukker opp verktøyet, beveger deg mellom arbeidsområder, bytter posisjon eller går. Dersom du hviler fingeren på avtrekkeren, kan dette føre til utilsiktet bruk. Verktøy som har selektiv drivkraft skal alltid sjekkes før det tas i bruk for å sikre at riktig modus er valgt.
- Dette verktøyet har verken selektiv aktuator for kontaktaktuator eller kontinuerlig kontaktaktuator ved aktuatormodus-velgere eller en kontaktaktuator eller kontinuerlig kontaktaktuatorverktøy, og er merket med symbolet ovenfor. Verktøyet bruksområder er produksjonsarbeid som produksjon av lastepaller, møbler, hus, møbeltapetsering og kledning.
- Hvis dette verktøyet brukes i selektiv aktuatormodus, må du alltid sørge for at verktøyet er stilt inn på riktig aktuatorinnstilling.
- Ikke bruk dette verktøyet i kontaktaktuator i forbindelse med arbeidsoppgaver som innebærer å lukke bokser eller kasser eller montere transportsikkerhetssystemer på lastebiler og godsvogn.
- Vær forsiktig når du bytter fra én boreplassering til en annen.



## SIKKERHETSADVARSLER

- Les og forstå disse advarelsene for å forhindre at du skader deg selv eller andre i nærheten. Se seksjonene bruk av verktøy, vedlikehold og feilsøking for mer informasjon.



- Dersom det unnlates å følge advarelsene, kan dette føre til alvorlige skader.
- Skal ikke kasserer.

- De som skal bruke verktøyet og andre som befinner seg på arbeidsområdet, skal bruke støtsikre vernebriller med sidebeskyttelse. Der- som det unnlates å gjøre dette, kan det oppstå alvorlige skader. CE tilsvarende EN166



- Bruk alltid annet beskyttelsesutstyr som hørselsvern, hansker og hjelm.
- Bruk kun hansker som gir tilstrekkelig følsomhets- og kontrolleringsevne av avtrekkeren og ved enhetsjusteringer.
- De som bruker verktøyet og de som befinner seg i nærheten, skal bruke hørselsvern.
- Ubeskyttet eksponering for høye lydnivåer kan forårsake permanente og invaliderende hørselsskader og andre problemer som tinnitus (summing, ringing eller piping i ørene).



- Hensiktsmessige kontroller for å redusere risikoen kan inkludere handlinger som å fukte materialer for å forhindre at arbeidsstykker «piper/ringer».
- Bruk hensiktsmessig hørselsvern.
- Bruk og vedlikehold verktøyet som anbefalt i denne bruksanvisningen for å unngå unødvendig økning av vibrasjonsnivåene.
- Hvis verktøyet har en lydtemper, bør du sørge for at den er på plass og fungerer som den skal når verktøyet er i bruk.

- Eksponering for vibrasjon kan forårsake invaliderende skader på nerver og blodforsyning til hender og armer.



- Bruk varme klær når du jobber i kalde omgivelser, og hold hendene varme og tørre.
- Hvis du opplever nummenhet, prikking, smerte eller blek hud på fingrene eller hendene, skal du rådføre deg med kvalifisert helsepersonell vedrørende generelle aktiviteter.
- Bruk og vedlikehold verktøyet som anbefalt i denne anvisning for å unngå unødvendig økning av vibrasjonsnivåer.
- Hold verktøyet med et lett og trygt grep, da risikoen ved vibrasjon som regel er større desto hardere du holder det.

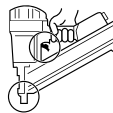
- Vær på vakt, følg med på det du gjør og bruk sunn fornuft når du håndterer elektroniske verktøy. Ikke bruk verktøyet hvis du er trøtt eller påvirket av rusmidler, alkohol eller medisiner. Et øyeblikks uoppmerksomhet under bruk av verktøyet kan resultere i alvorlige personskader.

- Bruk kun den energiforsyningen som er angitt
- Aldri bruk oksygen, karbondioksid eller annen gass på flasker som strømkilde for dette verktøyet. Verktøyet vil eksplodere og forårsake alvorlige skader.



- Bruk av oksygen eller lettantennelige gasser for pressluftverktøy skaper fare for brann eller eksplosjon.

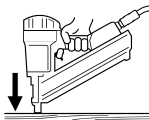
- Fjern alltid fingeren fra avtrekkeren når du ikke skyter inn spikre. Aldri bær verktøyet med fingeren på eller under avtrekkeren. Verktøyet vil skyte ut en spikre hvis kontaktnesen kommer i kontakt med noe.



- Verktøyet hvilestilling er liggende på siden, frakoblet luften.
- Hvilestillingen inkluderer å fjerne fingeren fra avtrekkeren og plassere verktøyet slik at kontaktnesen ikke kommer i kontakt med noe.

- Gå alltid ut fra at verktøyet inneholder spikre. Hold verktøyet vendt bort fra deg selv og andre. Verktøyet skal ikke lekes med. Respekter verktøyet som et arbeidsredskap.
- Hold hender og bein på avstand fra retningen du skyter i.
- Kun erfarne brukere skal bruke spikerboreverktøy.

- Spikre skal kun skytes inn i arbeids-overflater, og aldri inn i materialer som er harde å trenge gjennom.
- Ekstra vertikalkraft er nødvendig ved bruk av verktøy for stål og betong.
- Under bruk kan rester fra arbeidsstykker og kollasjonssystemer tømme.
- Sørg for at verktøyet er sikkert plassert på arbeidsstykket, og at det ikke kan gli.



- Verktøy utstyrt med «kontaktaktuator» skal ikke brukes:

- Hvis endring av arbeidsposisjon påvirkes av trapper, stiger eller stillas.
- Til å lukke bokser eller kasser.
- For å montere transportsikkerhetssystemer.
- Plattformen i bevegelse



- Les og forstå risikoen knyttet til selektiv aktuator under «Bruk av verktøy»-seksjonen.

- Ikke bruk kraft når du håndterer verktøyet. La verktøyet gjøre jobben. Bruk korrekt verktøy til å gjennomføre jobben. Det korrekte verktøyet gjør jobben bedre og tryggere slik det er designet til.
- Ikke strekk deg for langt når i bruk
- Sørg for godt fotfeste og god balanse til enhver tid.

- Ikke skyt spikre oppå andre spikre eller med verktøyet i en for spiss vinkel.
- Spikere kan avledes og forårsake skader.



- Når du bruker verktøyet, skal du være forsiktig på grunn av muligheten for at verktøyet støter tilbake etter at spikeren er skutt inn. Hvis kontaktnesen utilsikket kommer i kontakt med overflaten på nytt etter et tilbakestøt, vil en uønsket spiker skytes ut. Derfor bør du la verktøyet støte helt tilbake fra arbeidsoverflaten etter at en spiker er skutt inn for å unngå denne tilstanden. Ikke press kontaktnesen på arbeidsoverflaten før du ønsker å skyte inn enda en spiker.



- Hold verktøyet på riktig måte med et fast grep og vær forberedt på å motarbeide eller håndtere normale eller plutselige bevegelser slik som tilbakestøt. Grepet bør være trygt, men egnet til å redusere vibrasjonsfarer som kan forårsake alvorlige skader.
- Sørg for å ha en balansert kroppsposisjon og sikkert fotfeste.
- Vær forsiktig når du bruker trykkluftverktøy da verktøyet blir kaldt. Dette kan påvirke grepet og kontrollen.

- Ikke skyt inn spikre nær kanten av arbeidsoverflaten.
- Spikeren kan avledes og forårsake skader.
- Hold tilskuere på avstand.
- Marker arbeidsområdet ditt tydelig.

- Koble verktøyet fra luften før du foretar vedlikehold av verktøyet, fjerner en spiker som har satt seg fast, gjør justeringer, forlater arbeidsområdet, flytter verktøyet til et annet sted eller gir verktøyet til en annen person.



- Verktøyet kan utløse en spiker når det kobles til lufttilførselen. Derfor skal du Ⓢ fjerne alle spikre fra verktøyet før du kobler til luftslangen.
- Vær forsiktig når du legger i og fjerner spikre. Spikere er spisse.

- Bruk aldri verktøyet hvis kontaktnesen, avtrekkeren eller fjæringen ikke fungerer, mangler eller er skadet. Ikke tukle med eller fjern kontaktnese, avtrekker eller fjæring.
- Modifiseringer kan redusere effektiviteten av sikkerhets tiltak og øke risikoen for bruker og de som befinner seg i nærheten.
- Ikke bruk verktøyet hvis det har blitt skadet.

- Sørg for at alle skruer og deksler er sikre og strammet til enhver tid. Sjekk daglig at avtrekker og kontaktnese kan bevegges fritt. Bruk aldri verktøyet hvis noen av delene mangler, er slitte eller skadet.
- Alltid bruk det andre håndtaket (hvis det følger med)

- Bruk kun deler, spikre, smøremidler og ekstrautstyr som anbefales eller selges av SENCO. Ikke modifiser verktøyet uten autorisasjon fra SENCO.

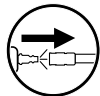
- Bruk kun ren, tørr og regulert trykkluft med anbefalt trykk.
- Slå alltid av luftforsyningen og koble fra verktøyet når det ikke er i bruk.

- Verktøy skal ikke være koblet til trykk som potensielt kan overskride maksimalt trykk med 10 %.
- Ikke overskrid maksimalt driftstrykk psi maks.



- Verktøy som er merket med en omvendt trekant skal ikke brukes med mindre de er utstyrt med en effektiv kontaktnese.
- Verktøy uten kontaktnese kan utilsikket skyte ut spikere og forårsake skader.
- Stativ for å montere verktøy for å støtte dem skal være utviklet og konstruert av stativprodusenten på en slik måte at verktøyet sikkert kan festes for tiltenkt bruk.

- Ledningen til verktøyet og luftforsynings-slangen må ha en tilkoblet nippel slik at alt trykk fjernes fra verktøyet når leddkoblingen kobles fra.
- Trykkluft kan forårsake alvorlige skader.
- Koble alltid verktøyet fra trykkluftforsyningen før du bytter ut ekstrautstyr, foretar justeringer og/eller reparasjoner eller når du beveger deg bort fra et arbeidsområde.
- Aldri rett trykkluft mot deg selv eller andre.
- Løse slanger kan forårsake alvorlige skader – sjekk alltid om slangen er skadet eller løs.



- Ikke legg i spiker mens det er trykk på avtrekkeren eller kontaktnesen.

- Ikke bruk verktøy som ikke har en advarsel-etikett. Hvis verktøyet mangler etiketten eller den er ødelagt eller uleselig, kan du kontakte din SENCO-representant for å få en ny etikett.



- Aldri bruk et verktøy som lekker luft eller som må repareres.
- Ikke bruk verktøyet hvis det er skadet.
- Aldri bær eller dra et trykkluftverktøy etter slangen.

- Ikke foreta «nødreparasjoner» uten riktig verktøy og utstyr.
- Sjekk alltid om verktøyet har ødelagte, feiltilkoblede, løse eller slitte deler.



Du må ha en skriftlig godkjenning fra fabrikanten før du kan gjennomføre modifikasjoner på verktøyet.



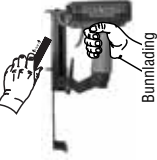
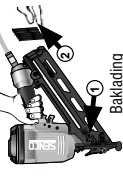
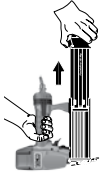
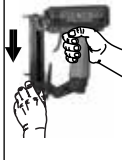
- Hold hender og andre kroppsdelene på avstand fra området som vises i sirkelen for å unngå potensielle skader under bruk.
- Hold fingre på avstand fra avtrekkeren når verktøyet ikke er i bruk og når du skifter posisjon.


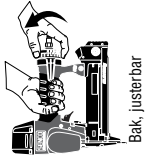
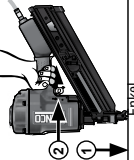




**BRUK AV VERKTØYET**

Verktøy	Lading	Tømming	Utløp	Avtrekkertype	Justerbar av inntrengningsdybde	Løse opp en blokkering	Sikkerhetssele-ment	Smøring
SN90CXP			Justerbar (C1)	Underskyting (D2)		Via magasin	Obligato- risk	
SN90FXP			Forside	Enkel sekvensiell (D1)	Justerbar			
FramePro601			Justerbar (C1)	Underskyting (D2)				
FramePro651			Forside	Enkel sekvensiell (D1)				
SN1602			Justerbar (C1)	Underskyting (D2)				
SN1302			Forside	Enkel sekvensiell (D1)				
S900FN	Bakklading (A1)	Friger mateskoen og skyv den forover (B1)	Justerbar (C1)	Underskyting (D2)				
SidingPro40			Forside	Enkel sekvensiell				
FinishPro42XP			Foran- Trykknapp luftstøvfjerner	Vaigbar				
FinishPro16XP			Justerbar (C1)	Enkel sekvensiell (D1)		EZ-Clear port (F1)	Sikker- hetssele- ment	Obligato- risk
FinishPro30XP			Justerbar (C1)					
S250FN			Justerbar (C1)					
FinishPro35Mg			Justerbar- Trykknapp luftstøvfjerner	Vaigbar				
SLP20XP			Forside		Ingen			Øljerfri
SLP20XP GLN			Forside		Ingen			Øljerfri
SBN10XP			Bak (C2)	Enkel sekvensiell (D1)	Ingen	Via magasin	Obligato- risk	Øljerfri
FinishPro25XP			Forside	Underskyting (D2)				
FinishPro18Mg	Sidelading (A2)	Trykk på sperren og skyv opp skinnen (B2)	Bak (C2)			EZ-Clear port (F1)		
S200BN			Forside					
S200SM			Bak (C2)	Enkel sekvensiell (D1)	Justerbar			Obligato- risk
FinishPro23SXP			Forside					
FinishPro23LXP			Bak (C2)					
FinishPro21LXP			Forside					
FinishPro10	Bunnlading (A3)	Trykk på sperren og skyv opp skisjmen (B3)	Bak (C2)			Via magasin	Ingen	
LSTXP			Forside		Ingen			Øljerfri



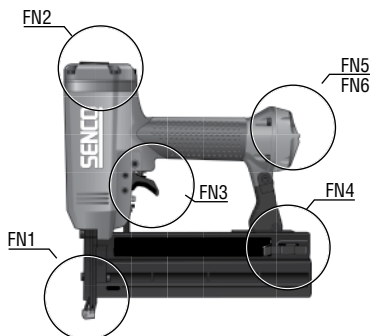
Matriksbilde nr.	Beskrivelse	Bildnotater
A1	 Baklading	Ikke lad mens det er trykk på avtrekkeren ① Koble til lufttilførselen ② Sett inn en spikerremse, bruk kun originale festemidler fra SENCO
A2	 Sidelading	Ikke lad mens det er trykk på avtrekkeren ① Koble til lufttilførselen ② Sett inn en spikerremse, bruk kun originale festemidler fra SENCO
A3	 Bunnlading	Trykk ned sperren, skyv opp skinnen Plasser en remse spikre i magasinet med spissene i retningen som vist Ikke lad mens det er trykk på avtrekkeren deretter punkt 1 (trykk ned sperre) og 2 (plasser remse)
B1	 Baklading	① Frigjør mateskoen og skyv den forover. ② Fjern spikrene fra verktøyet
B2	 Sidelading	Trykk på sperren og skyv opp skinnen, fjern spikrene
B3	 Bunnlading	Trykk på sperren og skyv opp skinnen, fjern spikrene

Matriksbilde nr.	Beskrivelse	Bildnotater
C1	 Justerbar	Deflektoren kan roteres for å endre utslippluftens retning.
C2	 Bak, justerbar	Deflektoren kan roteres for å endre utslippluftens retning.
D1	 Enkkel	① Trykk kontaktnesen (sikkerhelselement) mot arbeidsstykkets overflate. ② Trykk på avtrekkeren, spikeren skytes ut.
D2	 Bunn	① Trykk på avtrekkeren. ② Trykk inn kontaktnesen mot arbeidsstykkets overflate og skyt inn en spiker. Hver gang du trykker kontaktnesen (sikkerhelselement) mot arbeidsstykkets overflate, skytes det inn en spiker.
F1	 Port	Løse E-Z Clear sperren og åpne døren.

NO

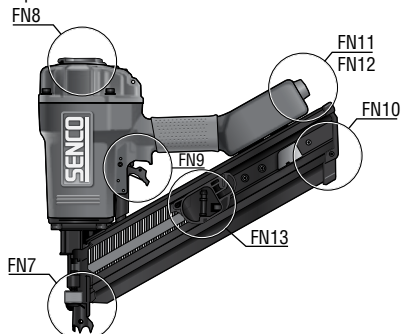
## VERKTØYELEMENTER

Spikerpistol til finarbeid



FN1	Kontaktnese
FN2	Luftutløp
FN3	Avtrekker
FN4	Magasin
FN5	Inntak
FN6	Luftutløp bak

Spikerpistol til rammearbeid



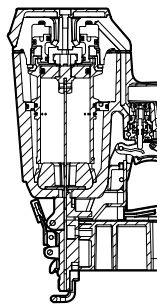
FN7	Kontaktnese
FN8	Luftutløp
FN9	Avtrekker
FN10	Magasin
FN11	Inntak
FN12	Luftutløp bak
FN13	Matesko

## VEDLIKEHOLD

### Advarsel

- Reparasjoner annet enn de som er beskrevet her skal kun utføres av opplært og kvalifisert personell. Kontakt Senco for informasjon på: +31 320 295 575
  - Les avsnittet "Sikkerhetsadvarsler" før verktøyet vedlikeholdes.
  - Bruk kun reservedeler som er spesifisert av produsenten eller en autorisert representant.
- 
- Alle skruer skal alltid være stramme. Løse skruer kan føre til utrygg bruk og at deler går i stykker.
  - Kontroller hver måned
- 
- Gjennomfør daglig inspeksjon med verktøyet frakoblet, kontroller at kontaktnesen og avtrekkeren beveger seg fritt. Ikke bruk verktøyet hvis kontaktnesen eller arbeidsstykket sitter fast.
- 
- Sprut Senco pneumatisk olje (5 til 10 dråper) inn i luftinntaket to ganger per dag (avhengig av bruksfrekvens av verktøyet). Andre oljer kan skade O-ringer og andre verktøydeler.
  - Enkelte Senco-verktøy er oljefrie og krever IKKE olje, se merking.
- 
- Tørk verktøyet rent hver dag og se etter slitasje. Bruk ikke-brennbare rengjøringsløsninger kun hvis det er nødvendig.
  - **Må ikke legges i bløtt.**
  - **Forsiktig:** Slike løsninger kan skade O-ringer og andre verktøydeler.
  - Avhend rengjøringsmaterialer på riktig måte.

## FEILSØKING



### Hvis spikerblokkering skulle skje:

- Koble fra lufttilførselen
- Fjern spikrene
- Klarer blokkeringen
- Følg ladeprosedyren

1	<b>SYMPTOMER</b> Luftlekkasje nær øverste del av verktøyet / verktøyet jobber langsomt eller kraftløst
	<b>LØSNING</b> Verifiser lufttilførselen / stram skruer eller installer reparasjonssett – Se Delehåndbok
2	<b>SYMPTOMER</b> Luftlekkasje nær nederste del av verktøyet/slitt returledning.
	<b>LØSNING</b> Rengjør verktøyet / stram skruer eller installer reparasjonssett Se Delehåndbok
3	<b>SYMPTOMER</b> Andre problemer.
	<b>LØSNING</b> Kontakt Senco.

## TEKNISKE DATA

Verktøytype	Minimum til maksimalt driftstrykk	Luftforbruk (60 sykkluser per minutt) liter	Luftinntak	Maksimumshastighet (sykkluser per sekund)	Vekt kg	Spikerkapasitet	Verktøys mål: Høyde mm	Verktøys mål: Lengde mm	Verktøys mål: Bredde: Hovedhus mm
<b>XtremePro-serien</b>									
SLP20XP	4,8-8,3 bar	52,7	1/4 in. NPT	5	1,0	110	210	241	50
SLP20XP GLN	4,8-8,3 bar	52,7	1/4 in. NPT	5	1,0	110	210	241	50
SBN10XP	4,5-7,0 bar	19,0	1/4 in. NPT	2	0,96	105	167	255	42
LS1XP	4,8-7,5 bar	23,1	1/4 in. NPT	5	1,3	100	197	211	51
FinishPro25XP	4,8-8,3 bar	52,7	1/4 in. NPT	5	1,2	110	251	249	56
FinishPro30XP	4,8-8,3 bar	61,0	1/4 in. NPT	5	1,73	104	244	305	83
FinishPro42XP	4,8-8,3 bar	133,0	1/4 in. NPT	5	2,1	104	292	330	89
SN90CXP	4,8-8,3 bar	283,2	3/8 in. NPT	2	3,62	70	337	384	106
SN90FXP	4,8-8,3 bar	283,2	3/8 in. NPT	2	3,81	60	337	508	106
FinishPro23SXP	4,8-6,9 bar	31,0	1/4 in. NPT	5	1,1	100	192	200	44
FinishPro23LXP	4,8-7,6 bar	31,0	1/4 in. NPT	5	1,2	100	226	200	44
FinishPro21LXP	4,8-7,6 bar	31,0	1/4 in. NPT	5	1,43	100	226	200	44
<b>Pro-serien</b>									
FinishPro10	4,8-6,5 bar	21,6	1/4 in. NPT	2	1,1	110	168	229	44
FinishPro18Mg	4,8-8,3 bar	68,0	1/4 in. NPT	5	1,1	110	247	266	64
FinishPro16XP	4,8-8,3 bar	61,2	1/4 in. NPT	3	1,9	110	292	308	81
FinishPro35Mg	4,8-8,3 bar	62,0	1/4 in. NPT	5	1,9	110	311	330	86
FramePro601	4,8-8,3 bar	283,2	3/8 in. NPT	2	3,62	70	337	384	106
FramePro651	4,8-8,3 bar	311,5	3/8 in. NPT	2	3,81	70	362	384	106
SidingPro40	4,8-8,3 bar	172,8	3/8 in. NPT	4	2,13	70	323	351	86
SN1602	5,5-8,3 bar	255,0	3/8 in. NPT	2	6,2	50-56	478	533	144
SN1302	5,5-8,3 bar	297,0	3/8 in. NPT	2	7,0	48-56	500	560	140
<b>SemiPro-serien</b>									
S200BN	4,8-8,3 bar	21,6	1/4 in. NPT	5	1,4	107	232	251	68
S200SM	4,8-8,3 bar	88,3	1/4 in. NPT	5	1,43	85	252	240	68
S250FN	4,8-8,3 bar	128,0	1/4 in. NPT	4	2,25	100	303	346	85
S900FN	4,8-8,3 bar	273,8	3/8 in. NPT	2	4,2	80	380	500	154

NO

**SPIKEROMRÅDE**

**NO**

**Spikertype i mm**

Verktøytype	0,68		0,84		1,2		1,6	1,8	2,3		2,9			3,1			3,3			3,8	4,2	4,6	
			Vanlig hode	Lite hode	Uten hode	Glatt	Ring	Glatt	Ring	Glatt	Ring	Skru	Glatt	Ring	Skru	Glatt	Ring	Skru	Glatt	Ring	Skru	Glatt	
SN1602																							
SN1302																							
SN90CXP																							
SN90FXP																							
FramePro601																							
FramePro651																							
S900FN																							
SidingPro40																							
FinishPro42XP										45-60													
FinishPro30XP										32-63													
FinishPro35Mg										25-50													
S250FN										32-63													
SLP20XP																							
SLP20XP GLIN																							
FinishPro10																							
12-25																							
SBN10XP																							
LS1XP																							
FinishPro25XP																							
16-54																							
FinishPro18Mg																							
16-54																							
S200BN																							
16-50																							
FinishPro16XP																							
32-63																							
S200SM																							
15-50																							
FinishPro23SXP																							
12-35																							
FinishPro23LXP																							
12-50																							
FinishPro21LXP																							
15-50																							

## STØYINFORMASJON

<b>Støyinformasjon</b> i samsvar med EN12549	Disse verdiene er verktøyrelaterede karakteristiske verdier og representerer ikke støytvikling ved brukspunktet. Designet av arbeidsstedet kan også redusere støynivåer, for eksempel ved å plassere arbeidsstykket på et støydempende underlag.
<b>Vibrasjonsinformasjon</b> i samsvar med ISO8662-11	Denne verdien er en verktøyrelateret verdi og representerer ikke innvirkningen til hånd-arm-systemet når verktøyet er i bruk.

Verktøytype	Lydttryknivå (Lpa) dB	Lydstyrkenivå (Lwa) dB	Vibrasjonsnivå m/s <sup>2</sup>
<b>XtremePro-serien</b>			
SLP20XP	83	89	1,18
SLP20XP GLN	83	89	1,18
SBN10XP	78,6	87,77	1,7
LS1XP	84	89	<2,5
FinishPro25XP	89	94	<2,5
FinishPro30XP	85	98	<2,5
FinishPro42XP	89	94	<2,5
SN90CXP	96	101	4
SN90FXP	96	101	4
FinishPro23SXP	47,8	60,8	1,63
FinishPro23LXP	47,8	60,8	1,63
FinishPro21LXP	47,8	60,8	1,63
<b>Pro-serien</b>			
FinishPro10	81	86	<2,5
FinishPro18Mg	68	78,8	<2,5
FinishPro16XP	93,7	106,7	<2,5
FinishPro35Mg	87,6	93,2	2,9
FramePro601	96	101	3,7
FramePro651	97	101	3,67
SidingPro40	84	97	2,6
SN1602	95,9	132	8,3
SN1302	93	106	4
<b>SemiPro-serien</b>			
S200BN	91	104	<2,5
S200SM	91	104	<2,5
S250FN	91	104	<2,5
S900FN	85	90	2,5

NO

## TILBEHØR

SENCO kan tilby et komplett utvalg av tilbehør til dine SENCO-verktøy, inkludert:

- Luftkompressorer
- Slange
- Koblinger
- Tilbehør
- Vernebriller
- Trykkmålere
- Smøremidler
- Regulatorer
- Filtre



For mer informasjon eller en komplett illustrert katalog med SENCO-tilbehør, besøk [SENCO.EU](http://SENCO.EU).

**NO**

## INNEHÅLLSFÖRTECKNING

Arbetsgivarens ansvar.....	63
Allmän beskrivning .....	63
Varningar .....	63
Säkerhetsvarningar .....	64
Användning av verktyget.....	66
Underhåll .....	68
Felsökning .....	68
Tekniska data.....	69
Spik.....	70
Bullerinformation.....	71
Tillbehör .....	71
Deklaration om överensstämmelse .....	132
Begränsad garanti .....	134

### ARBETSGIVARENS ANSVAR



Det är arbetsgivarens ansvar att försäkra sig om att denna bruksanvisning läses och förstås av all personal som är utsedd till att använda verktyget. Håll den här bruksanvisningen

tillgänglig för framtida referens. Det är mycket viktigt att göra en riskbedömning och genomförande av lämpliga kontroller för alla faror.

### ARBETSPLATSFAROR

Följande gäller:

- Att halka, snubbla och falla är de främsta orsakerna till arbetsplatsskador. Var medveten om hala ytor som orsakas av användning av verktyget och även om faror som orsakas av luftledningsslangar.
- Fortsätt med extra försiktighet i okända omgivningar. Det kan finnas dolda risker, till exempel el- eller andra allmännyttiga ledningar.
- Detta verktyg är inte avsett att användas i explosionsfarliga omgivningar och är inte isolerat från att komma i kontakt med elkraft.
- Se till att det inte finns några elkablar, gasrör etc. som kan orsaka fara om de skadas genom användning av verktyget.

### DAMM- OCH AVGASFAROR

Om verktyget används i ett område där det finns statistisk damm kan det röra upp dammet och orsaka fara.

Följande gäller:

- Riskbedömningen ska omfatta damm som skapas av verktyget och potentialen att röra upp befintligt damm.
- Rikta avgasröret för att minimera att damm rörs upp i en dammylld miljö.
- När det finns damm- eller avgasfara ska kontroll av detta vid utsläppspunkten prioriteras.

### ALLMÄN BESKRIVNING

- Elektrisk handhållen spikpistol som består av en pneumatisk kraftenhet, styrkropp och magasin där energin tillämpas i en linjär rörelse till en laddad spik för att driva in spiken i definierade material om man inte använder en speciell spik som är avsedd att användas i betong eller stål.
- All annan användning är förbjuden.


### VARNING


Verktyg med symbol ska endast användas för produktionstillverkning. All annan användning är förbjuden.





- Sätt inte fingret på utlösaren när du plockar upp verktyget, flyttar dig mellan arbetsområden och positioner eller promenerar, eftersom fingret på utlösaren kan leda till oavsiktlig drift. För verktyg med selektiv aktivering ska du alltid kontrollera verktyget före användning för att se om du har valt rätt läge.
- Det här verktyget har antingen selektiv aktivering för kontaktaktivering eller kontinuerlig kontaktaktivering genom att aktivera lägesväljare eller är ett kontaktaktiverings- eller kontinuerligt kontaktaktiveringsverktyg och har markerats med symbolen ovan. Dess avsedda användningsområden är för produktionstillverkningar, t.ex. lastpallar, möbler, industritillverkade bostäder, stoppad klädsel och fodral.
- Om du använder det här verktyget i selektivt aktiveringsläge ska du alltid kontrollera att det är i rätt aktiveringsinställning.
- Använd inte det här verktyget med kontaktaktivering för tillämpningar som exempelvis att stänga lådor eller packklaras och montera transportsäkerhetssystem på släp och lastbilar.
- Var försiktig när du byter från en körplats till en annan.

## SÄKERHETSVARNINGAR


- Läs och förstå dessa varningar för att förhindra skador på dig själv och personer som står bredvid. Mer information finns i avsnittet om användning av verktyg, underhåll och felsökning. 
- Underlåtenhet att följa varningar kan leda till allvarlig personskada.
- Kasta inte bort det.

- Operatörer och andra människor i arbetsområdet ska ha slagtäligt ögonskydd med sidoskydd. Underlåtenhet att bära detta kan orsaka allvarlig personskada. CE motsvarar EN166 

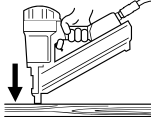
- Använd alltid annan personlig skyddsutrustning, t.ex. hörselskydd, handskar och skyddshjälm. 
- Använd endast handskar som ger tillräcklig känsla och säker kontroll av utlösare och justeringsanordningar.
- Operatörer och andra människor inom arbetsområdet ska bära hörselskydd.
- Oskyddad exponering för höga ljudnivåer kan orsaka permanent, funktionshinderande hörselnedsättning och andra problem, t.ex. tinnitus (ringande, surrande, pipande eller brummande ljud i öronen).
- Lämpliga kontroller för att minska risken kan omfatta till exempel dämpande material för att förhindra att arbetsstycken "ringer".
- Använd lämpligt hörselskydd.
- Använd och underhåll verktyget enligt rekommendationerna i dessa anvisningar för att förhindra onödig ökning av ljudnivåer.
- Om verktyget har en ljuddämpare ser du till att den är på plats och i gott skick när verktyget används.



- Exponering för vibrationer kan orsaka funktionshinderande skador på nerverna och blodtillförseln till händer och armar. 
- Använd varma kläder när du arbetar i kalla förhållanden och håll händerna varma och torra. 
- Om du upplever domningar, stickningar, smärta eller blekning av huden på dina fingrar eller händer ska du uppsöka en behörig läkare inom företagshälsovården angående den övergripande verksamheten.
- Använd och underhåll verktyget enligt rekommendationerna i dessa anvisningar för att förhindra onödig ökning av vibrationsnivåer.
- Håll verktyget med ett lätt men stadigt grepp eftersom risken för vibrationer i allmänhet är större när gripkraften är högre.

- Var uppmärksam, se vad du gör och använd sunt förnuft när du använder ett elverktyg. Använd inte verktyget om du är trött eller påverkad av droger, alkohol eller mediciner. Ett ögonblick av ouppmärksamhet när du använder elverktyg kan resultera i allvarlig personskada.

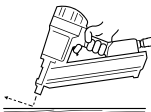
- Använd endast korrekt energiförsörjning i enlighet med anvisningarna
- Använd aldrig syre, koldioxid eller någon annan gas på flaska som strömkälla för detta verktyg eftersom verktyget kan explodera och orsaka allvarlig personskada. 
- Användning av syre eller lättantändliga gaser för pneumatiska verktyg skapar brand- eller explosionsrisk.

- Ta alltid bort fingret från utlösaren när du inte kör in spikar. Bär aldrig verktyget med ett finger på eller under utlösaren. Verktyget kommer att mata ut en spik om arbetsstyckets kontakt stöts till. 
- Verktygets viloläge är från sidan bortkopplat från luften.
- Viloläget innefattar att ta bort fingret från utlösaren och att placera verktyget så att arbetsstyckets kontakt inte påverkas.
- Antag alltid att verktyget innehåller spikar. Håll verktyget bortriktat bort från dig själv och från andra. Skoja inte med det. Respektera verktyget som ett fungerande redskap.
- Håll händer och ben borta från avfyrningsriktningen.
- Spikpistol bör endast användas av kunniga operatörer.

- Kör endast in spikar i arbetsytan och aldrig i material som är för svåra att penetrera.
- Ytterligare nedåtkraft krävs för stål- och betongverktyg. 
- Under drift kan skräp från arbetsstycke och kontrollsystem släppas ut.
- Se till att verktyget alltid är säkert anslutet till arbetsstycket och att det inte kan glida.

- Verktyg utrustade med "kontaktaktivering" får inte användas: 
  - Om en förändring av körställen sker via trappor, stegar eller byggnadsställningar.
  - För stängning av lådor eller packlärar.
  - För montering av transportsäkerhetssystem.
  - Flytta plattformar
- Läs och förstå risken för selektiv aktivering i avsnittet "Användning av verktyg". 

- Tvinga inte verktyget. Låt verktyget göra arbetet. Använd rätt verktyg för din tillverkning. Rätt verktyg gör jobbet bättre och säkrare i den takt det är utformat för.
- Gå inte för långt.
- Håll stabil bas och balans hela tiden.

- Kör inte in spikar ovanpå andra spikar eller med verktyget i en för lutande vinkel. 
- Spikarna kan böjas och orsaka personskada.



- Vid användning av verktyget bör försiktighet vidtas på grund av möjligheten till verktygsrekyl efter att en spik körs in. Om arbetsstyckets kontakt får oavsiktlig kontakt med arbetsytan efter en rekyl kommer en oönskad spik att köras in. Därför ska verktyget rekylas helt från arbetsytan efter att en spik körs in för att undvika detta tillstånd. Tryck inte på arbetsstyckets kontakt på arbetsytan förrän en andra spik önskas.



- Håll verktyget korrekt med ett fast grepp och var beredd att motverka och hantera normala eller plötsliga rörelser såsom rekylning. Greppet ska vara säkert men lämpligt för att minska vibrationer som kan orsaka allvarliga personskador.
- Behåll en balanserad kroppsposition och stabil bas.
- Var försiktig när du använder pneumatiska verktyg eftersom verktyget blir kallt. Detta kan påverka greppet och kontrollen.

- Kör inte in spikar nära arbetsytans kant.
- Spiken kan böjas och orsaka skada.
- Håll åskådare borta.
- Markera tydligt ditt arbetsområde.

- Koppla ur verktyget från luften innan du utför underhåll av verktyget, rensar en blockerad spik, gör justeringar, lämnar arbetsområdet, flyttar verktyget till en annan plats eller lämnar över verktyget till en annan person.



- Verktyget kan mata ut en spik när det är anslutet till lufttillförseln, därför ska du Ⓢ ta bort alla spikar från verktyget innan du fäster luftslangen.
- Var försiktig vid hantering av spikar vid lastning/lossning. Spikar har vassa spetsar.

- Använd aldrig verktyget om arbetsstyckets kontakt, utlösare eller fjädrar inte går att använda eller saknas eller är skadade. Manipulera inte eller ta bort arbetsstyckets kontakt, utlösare eller fjädrar.
- Ändringar kan minska säkerhetsåtgärdernas effektivitet och öka risken för operatörer/åskådare.
- Använd inte verktyget om det har skadats.

- Se till att alla skruvar och lock alltid är ordentligt åtspända. Gör dagliga kontroller av att utlösare och arbetsstyckets kontakt kan röra sig fritt. Använd aldrig verktyg med saknade, slitna eller skadade delar.
- Använd alltid ett andra handtag (om det tillhandahålls)

- Använd endast delar, spikar, smörjmedel och tillbehör som rekommenderas eller säljs av SENCO. Ändra inte verktyget utan tillstånd från SENCO.

- Använd endast ren, torr, reglerad tryckluft vid rekommenderat tryck.
- Stäng alltid av lufttillförseln och koppla ur verktyget när det inte används.

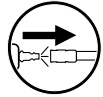
- Verktyg får inte anslutas till tryck som potentiellt överskrider det maximala arbetstrycket med 10 %.
- Överskrid inte det maximala driftrycket Ps max.

- Verktyg markerade med en inverterad triangel får inte användas om de inte är utrustade med en effektiv arbetsstyckeskontakt.
- Verktyg utan arbetsstyckeskontakt kan avfyras oavsiktligt och orsaka personskada.



- Stativ som stöd för monteringsverktyg ska utformas och tillverkas av stativets tillverkare så att verktyget kan fästas säkert för den avsedda användningen.

- Verktyget och lufttillförselslangen måste ha en anslutningsnippel så att allt tryck tas bort från verktyget när kopplingsleden är fränkopplad.
- Tryckluft kan orsaka allvarlig personskada.



- Koppla alltid bort verktyget från tryckluftsförsörjningen innan du byter tillbehör, gör justeringar och/eller reparationer eller flyttar från ett arbetsområde till ett annat.
- Rikta aldrig tryckluft mot dig själv eller någon annan.
- En piskande slang kan orsaka allvarlig personskada – kontrollera alltid om slangen är skadad eller lös.

- Ladda inte spikar med utlösaren eller arbetsstyckets kontakten nedtryckt.

- Använd inte verktyg utan varningsetikett. Om etiketten saknas, är skadad eller oläslig kontakta du din SENCO-representant för att få en ny etikett.



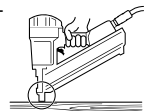
- Använd aldrig ett verktyg som läcker luft eller som behöver repareras.
- Använd inte verktyget om det är skadat.
- Bär aldrig eller dra ett pneumatiskt verktyg i slangen.

- Utför inga "akuta reparationer" utan rätt verktyg och utrustning.
- Kontrollera alltid verktyget före användning om det finns trasiga, felanslutna, lösa eller slitna delar.



Du måste erhålla skriftligt godkännande från verktygstillverkaren innan du gör några ändringar av verktyget.

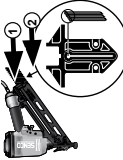



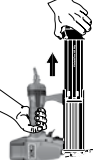
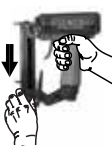
- Håll händer och andra kroppsdelar borta från det område som visas i cirkeln för att undvika eventuell personskada under drift.
- Håll fingrarna borta från utlösaren när du inte använder verktyget och när du flyttar dig från en arbetsposition till en annan.

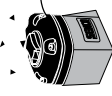

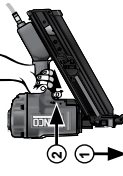
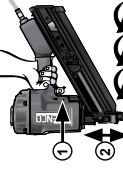
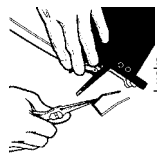


ANVÄNDNING AV VERKTYGET

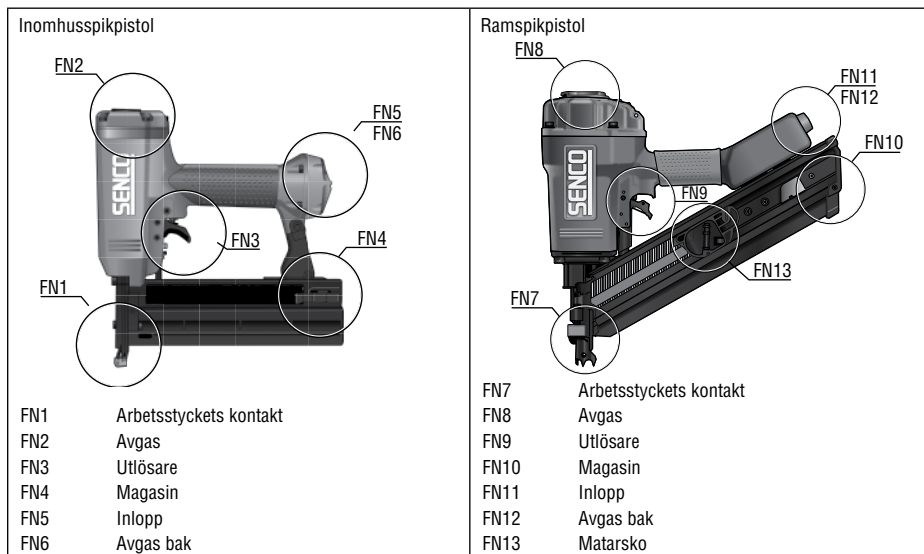
Verktyg	Laddning	Lossning	Avgas	Utlösartyp	Justeringsdjup	Rensa bioc- kering	Säkerhets- element	Smörjning
SN90CXP			Justerbar (C1)	Bottenavfyrning (D2)		Via magasin		Erfordrat
SN90FXP			Fram	Enkel sekventiell (D1)	Justerbar			
FramePro601		Frigör matarskon och för den framåt (B1)	Justerbar (C1)	Bottenavfyrning (D2)				
FramePro651			Fram	Enkel sekventiell				
SN1602			Fram	Valbar		EZ-Clear lucka (F1)	Säker- hetssele- ment	Oljefri
SN1302	Laddning bakifrån (A1)		Fram- tryckknapp integrerad luftdammare	Enkel sekventiell (D1)				Erfordrat
S900FN			Justerbar (C1)	Enkel sekventiell (D1)				
SidingPro40			Justerbar (C1)	Valbar				
FinishPro42XP			Justerbar (C1)	Enkel sekventiell (D1)				
FinishPro16XP			Justerbar (C1)	Valbar				
FinishPro30XP			Justerbar- tryckknapp integrerad luftdammare					
S250FN			Fram		Ingen			Oljefri
FinishPro35Mg			Fram		Ingen			Oljefri
SLP20XP			Fram	Enkel sekventiell (D1)	Ingen	Via magasin		Oljefri
SLP20XP GLN			Bak (C2)		Ingen			Oljefri
SBN10XP			Fram		Ingen			Erfordrat
FinishPro25XP			Fram					Oljefri
FinishPro18Mg	Sidoladd- ning (A2)	Tryck på regel och öppna skenan (B2)	Bak (C2)	Bottenavfyrning (D2)		EZ-Clear lucka (F1)		
S200BN			Fram		Justerbar			Erfordrat
S200SM			Bak (C2)					
FinishPro23SXP			Fram	Enkel sekventiell (D1)		Via magasin		
FinishPro23LXP			Bak (C2)					
FinishPro21LXP			Fram					
FinishPro10	Laddning underifrån (A3)	Tryck på regel och öppna skenan (B3)	Bak (C2)				Ingen	
LS1XP			Fram		Ingen	Via magasin		Oljefri

SE

Matrisbild nr.	Beskrivning	Bildanteckningar
A1	 <p>Laddning bakifrån</p>	<p>Ladda inte med utlösaren intryckt</p> <ol style="list-style-type: none"> <li>1 Anslut lufttillförseln</li> <li>2 För i en spikstav - använd endast SENCO originalsplik</li> </ol>
A2	 <p>Sidoladdning</p>	<p>Ladda inte med utlösaren intryckt</p> <ol style="list-style-type: none"> <li>1 Anslut lufttillförseln</li> <li>2 För i en spikstav - använd endast SENCO originalsplik</li> </ol>
A3	 <p>Laddning underifrån</p>	<p>Tryck ned regel, öppna skenan</p> <p>Placera spikstavarna i magaset med spetsarna nedåt</p> <p>Ladda inte med utlösaren intryckt</p> <p>därefter punkter 1 (tryck ned regel) och 2 (placera stavar)</p>
B1	 <p>Laddning bakifrån</p>	<ol style="list-style-type: none"> <li>1 Frigör matarskon och för den framåt.</li> <li>2 Ta bort spikarna från verktyget</li> </ol>
B2	 <p>Sidoladdning</p>	<p>Tryck på regeln och öppna skenan, ta bort spikarna</p>
B3	 <p>Laddning underifrån</p>	<p>Tryck på regeln och öppna skenan, ta bort spikarna</p>

Matrisbild nr.	Beskrivning	Bildanteckningar
C1	 <p>Justerbar</p>	<p>Luftavledaren kan vridas för att ändra riktningen för utsläppet av utloppsfluten</p>
C2	 <p>Bak, justerbar</p>	<p>Luftavledaren kan vridas för att ändra riktningen för utsläppet av utloppsfluten</p>
D1	 <p>Enkel</p>	<ol style="list-style-type: none"> <li>1 Tryck arbetsstyckets kontakt (säkerhetslement) mot arbetsytan.</li> <li>2 Tryck på utlösaren och spiken körs in.</li> </ol>
D2	 <p>Botten</p>	<ol style="list-style-type: none"> <li>1 Tryck på utlösaren.</li> <li>2 Tryck ned arbetsstyckets kontakt mot arbetsytan och kör in en spik.</li> </ol> <p>Växle gång du trycker arbetsstyckets kontakt (säkerhetslement) mot arbetsytan körs en spik in.</p>
F1	 <p>Lucka</p>	<p>Öppna E-Z Clear regeln och öppna luckan.</p>

## VERKTYGSDELAR

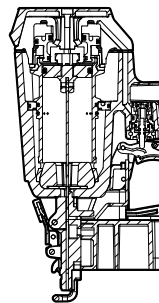


## UNDERHÅLL

### Varning

- Andra reparationer än de som beskrivs här, får endast utföras av utbildad och kvalificerad personal. Kontakta SENCO för mer information på +31 320 295 575.
  - Läs avsnittet "Säkerhetsvarningar" innan underhåll utförs.
  - Använd endast reservdelar som specificeras av tillverkaren eller auktoriserad återförsäljare.
- 
- Alla skruvar ska vara åtdragna. Lösa skruvar kan leda till osäker drift och att delar går sönder.
  - Kontrollera varje månad
- 
- Med verktyget fränkopplat, gör dagliga kontroller av arbetsstyckets kontakt och utlösare, för att säkerställa att de kan röra sig fritt. Använd inte verktyget om arbetsstyckets kontakt eller utlösare fastnar eller kärvar.
- 
- Spruta Senco pneumatisk olja (5 till 10 droppar) i luftinloppet två gånger om dagen (beroende på hur mycket verktyget används). Andra oljor kan skada O-ringar och andra verktygsdelar.
  - Vissa SENCO-verktyg är oljefria och kräver INTE olja. Kontrollera etikett.
- 
- Torka av verktyget varje dag och kontrollera slitage. Använd endast brandsäkra rengöringsmedel vid behov.
  - **Sänk inte ned i vätska.**
  - **Försiktig:** Sådana medel kan skada O-ringar och andra verktygsdelar.
  - Avyttra rengöringsmaterial på ett korrekt sätt.

## FELSÖKNING



### Vid spikblockering:

- Koppla från lufttillförseln
- Ta bort spikar
- Rensa blockeringen
- Följ laddningsproceduren

1	<p><b>SYMPTOM</b> Luftläcka nästan längst upp på verktyget /Trög drift</p> <p><b>LÖSNING</b> Kontrollera lufttillförseln / dra åt skruvar eller installera reservdelssats – se Delmanual</p>
2	<p><b>SYMPTOM</b> Luftläcka nästan längst ned på verktyget/Dålig retur.</p> <p><b>LÖSNING</b> Rengör verktyget / dra åt skruvar eller installera reservdelssats Se Delmanual</p>
3	<p><b>SYMPTOM</b> Andra problem.</p> <p><b>LÖSNING</b> Kontakta SENCO.</p>

## TEKNISKA DATA

Verktygstyp	Minsta till maximalt arbetstryck	Lutifång (60 cykler per minut) liter	Lutinlopp	Maximal hastighet (cykler per sekund)	Vikt kg	Spikkapacitet	Verktygsstorlek: Höjd mm	Verktygsstorlek: Längd mm	Verktygsstorlek: Bredd: Huvudkropp mm
<b>XtremePro-serien</b>									
SLP20XP	4,8-8,3 bar	52,7	1/4 tums NPT	5	1,0	110	210	241	50
SLP20XP GLN	4,8-8,3 bar	52,7	1/4 tums NPT	5	1,0	110	210	241	50
SBN10XP	4,5-7,0 bar	19,0	1/4 tums NPT	2	0,96	105	167	255	42
LS1XP	4,8-7,5 bar	23,1	1/4 tums NPT	5	1,3	100	197	211	51
FinishPro25XP	4,8-8,3 bar	52,7	1/4 tums NPT	5	1,2	110	251	249	56
FinishPro30XP	4,8-8,3 bar	61,0	1/4 tums NPT	5	1,73	104	244	305	83
FinishPro42XP	4,8-8,3 bar	133,0	1/4 tums NPT	5	2,1	104	292	330	89
SN90CXP	4,8-8,3 bar	283,2	3/8 tums NPT	2	3,62	70	337	384	106
SN90FXP	4,8-8,3 bar	283,2	3/8 tums NPT	2	3,81	60	337	508	106
FinishPro23SXP	4,8-6,9 bar	31,0	1/4 tums NPT	5	1,1	100	192	200	44
FinishPro23LXP	4,8-7,6 bar	31,0	1/4 tums NPT	5	1,2	100	226	200	44
FinishPro21LXP	4,8-7,6 bar	31,0	1/4 tums NPT	5	1,43	100	226	200	44
<b>Pro-serien</b>									
FinishPro10	4,8-6,5 bar	21,6	1/4 tums NPT	2	1,1	110	168	229	44
FinishPro18Mg	4,8-8,3 bar	68,0	1/4 tums NPT	5	1,1	110	247	266	64
FinishPro16XP	4,8-8,3 bar	61,2	1/4 tums NPT	3	1,9	110	292	308	81
FinishPro35Mg	4,8-8,3 bar	62,0	1/4 tums NPT	5	1,9	110	311	330	86
FramePro601	4,8-8,3 bar	283,2	3/8 tums NPT	2	3,62	70	337	384	106
FramePro651	4,8-8,3 bar	311,5	3/8 tums NPT	2	3,81	70	362	384	106
SidingPro40	4,8-8,3 bar	172,8	3/8 tums NPT	4	2,13	70	323	351	86
SN1602	5,5-8,3 bar	255,0	3/8 tums NPT	2	6,2	50-56	478	533	144
SN1302	5,5-8,3 bar	297,0	3/8 tums NPT	2	7,0	48-56	500	560	140
<b>SemiPro-serien</b>									
S200BN	4,8-8,3 bar	21,6	1/4 tums NPT	5	1,4	107	232	251	68
S200SM	4,8-8,3 bar	88,3	1/4 tums NPT	5	1,43	85	252	240	68
S250FN	4,8-8,3 bar	128,0	1/4 tums NPT	4	2,25	100	303	346	85
S900FN	4,8-8,3 bar	273,8	3/8 tums NPT	2	4,2	80	380	500	154

SE

Verktystyp	Spiktyp i mm																	
	0,68	0,84	1,2		1,6	1,8	2,3		2,9		3,1		3,3		3,8	4,2	4,6	
		Vanligt huvud	Litet huvud	Dyckert	Slät	Ring	Slät	Ring	Slät	Ring	Slät	Ring	Slät	Ring	Slät	Ring	Slät	
SN1602																	100-160	100-160
SN1302																	90-130	90-130
SN90CXP									50-90	50-75	50-90	50-75	50-90	50-75	50-90	50-75	50-90	50-90
SN90FXP									50-90	50-75	50-90	50-75	50-90	50-75	50-90	50-75	50-90	50-90
FramePro601									50-90	50-75	50-90	50-75	50-90	50-75	50-90	50-75	50-90	50-90
FramePro651									50-100	50-100	50-100	50-100	50-100	50-100	50-100	50-100	50-100	50-100
S900FN									50-90	50-75	50-90	50-75	50-90	50-75	50-90	50-75	50-90	50-90
SidingPro40							45-60	45-60										
FinishPro42XP						32-63												
FinishPro30XP						25-50												
FinishPro35Mg						32-63												
S250FN						32-63												
SLP20XP						16-42												
SLP20XP GLIN						16-42												
FinishPro10	12-25																	
SBN10XP						12-25												
LS1XP																		
FinishPro25XP						16-54	16-42											
FinishPro18Mg						16-54												
S200BN						16-50												
FinishPro16XP									32-63									
S200SM							15-50											
FinishPro23SXP	12-35																	
FinishPro23LXP	12-50																	
FinishPro21LXP		15-50																

## BULLERINFORMATION

<b>Bullerinformation</b> i enlighet med EN12549	Dessa värden är verktygsrelaterade karakteristiska värden och representerar inte ljud som uppstår där verktyget används. Arbetsplatsens utformning kan reducera ljudnivåerna, till exempel genom att placera arbetsstycket på ljudabsorberande underlägg.
<b>Vibrationsinformation</b> i enlighet med ISO8662-11	Detta värde är ett verktygsrelaterat karakteristiskt värde och representerar inte påverkan på hand-arm-systemet vid användning av verktyget.

Verktygstyp	Ljudtrycksnivå (Lpa) dB	Ljudstyrkenivå (Lwa) dB	Vibrationsnivå m/s <sup>2</sup>
<b>XtremePro-serien</b>			
SLP20XP	83	89	1,18
SLP20XP GLN	83	89	1,18
SBN10XP	78,6	87,77	1,7
LS1XP	84	89	<2,5
FinishPro25XP	89	94	<2,5
FinishPro30XP	85	98	<2,5
FinishPro42XP	89	94	<2,5
SN90CXP	96	101	4
SN90FXP	96	101	4
FinishPro23SXP	47,8	60,8	1,63
FinishPro23LXP	47,8	60,8	1,63
FinishPro21LXP	47,8	60,8	1,63
<b>Pro-serien</b>			
FinishPro10	81	86	<2,5
FinishPro18Mg	68	78,8	<2,5
FinishPro16XP	93,7	106,7	<2,5
FinishPro35Mg	87,6	93,2	2,9
FramePro601	96	101	3,7
FramePro651	97	101	3,67
SidingPro40	84	97	2,6
SN1602	95,9	132	8,3
SN1302	93	106	4
<b>SemiPro-serien</b>			
S200BN	91	104	<2,5
S200SM	91	104	<2,5
S250FN	91	104	<2,5
S900FN	85	90	2,5

SE

## TILLBEHÖR

SENCO erbjuder ett fullständigt tillbehörssortiment till dina SENCO-verktyg, inklusive:

- Luftkompressorer
- Slang
- Kopplingar
- Nippplar
- Skyddsglasögon
- Manometrar
- Smörjmedel
- Tryckregulatorer
- Filter



För mer information eller en fullständig illustrerad katalog över SENCO-tillbehör, besök [SENCO.EU](http://SENCO.EU).

SE



## INDHOLDSFORTEGNELSE

Medarbejderansvar.....	73
Grundlæggende beskrivelse.....	73
Advarsler .....	73
Sikkerhedsadvarsler .....	74
Brug af værktøj.....	76
Vedligeholdelse .....	78
Fejlfinding .....	78
Tekniske specifikationer.....	79
Sømsortiment .....	80
Støjinformation .....	81
Tilbehør .....	81
Overensstemmelseserklæring.....	132
Begrænset garanti.....	134

### MEDARBEJDERANSVAR



Det er medarbejderens ansvar at sikre, at denne vejledning læses og forstås af alt personale, tildelt til værktøjet. Gem denne vejledning til fremtidig reference.

Risikovurdering og indføring af passende kontroller for alle farer er meget vigtige.

### FARER PÅ ARBEJDSPLADSEN

Følgende er gældende:

- Fare for at glide, snuble og falde er de største årsager til skader på arbejdspladsen. Vær opmærksom på glatte overflader forårsaget af brug af værktøjet og snublefarer forårsaget af slangen.
- Vær forsigtig når der arbejdes i ukendte omgivelser. Der kan findes skjulte farer, såsom elektricitet eller andre elkabler.
- Dette værktøj er ikke beregnet til brug i potentielt eksplosive atmosfærer og er ikke isoleret fra at komme i kontakt med elektrisk energi.
- Kontrollér, at der ikke er nogen elektriske kabler, gasrør osv., som kan udgøre en fare, hvis de beskadiges af værktøjet.

### FARER IFM. STØV OG UDSØDNING

Hvis værktøjet anvendes i et område, hvor der er statisk støv, kan det hvirvles op og forårsage fare.

Følgende er gældende:

- Risikovurdering bør inkludere støv dannet af værktøjet og risikoen for at eksisterende støv hvirvles op.
- Ret udstødningen i en retning, der minimerer forstyrrelsen af støv, i et miljø med meget støv.
- Hvor der dannes støv eller udstødningsfarer, skal man sørge for at kontrollere dem fra udstødningspunktet.

### GRUNDLÆGGENDE BESKRIVELSE

- Håndholdt elektrisk sømpistol, der består af en pneumatisk effektkenhed, styrehus og magasin, hvor energien tilføres i en lineær bevægelse til et ladet søm, med det formål at slå sømmet ind i specifikke materialer medmindre der anvendes et specielt søm, beregnet til beton eller stål.
- Enhver anden brug er forbudt.

### ADVARSELER

Værktøjet med symbol må kun anvendes til produktionsanordninger. Enhver anden brug er forbudt.



- Lad ikke fingeren hvile på aftrækkeren, når værktøjet tages op, når du flytter dig mellem arbejdsområder og positioner eller går, da det kan forårsage utilsigtet betjening. For værktøjer med selektiv aktivering skal du altid kontrollere værktøjet før brug for at sikre, at den korrekte tilstand er valgt.
- Dette værktøj har enten selektiv aktivering for knapaktivering eller løbende knapaktivering ved at aktivere tilstandsvælgere eller aktiveres ved knapaktivering eller løbende aktiveringsknap og er markeret med symbolet ovenfor. Den tilslåede anvendelse er til produktionsanordninger, såsom paller, møbler, fremstillet indkapsling, møbelpolstring og beklædning.
- Hvis dette værktøj anvendes i tilstanden selektiv aktivering, skal det altid kontrolleres, at det anvendes i den korrekte aktiveringsindstilling.
- Brug ikke dette værktøj i knapaktivering til anvendelser, som at lukke papkasser eller kasser og påsætning af transportsikkerhedssystemer på anhængere og lastbiler.
- Vær forsigtig når der skiftes arbejdsplacering.

DK

## SIKKERHEDSADVARSLER

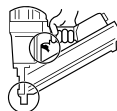
- Læs og forstå disse advarsler for at forhindre, at du selv eller andre kommer til skade. Se afsnittene 'brug, vedligeholdelse og fejlfinding for værktøjet' for yderligere oplysninger.
  - Manglende overholdelse af disse advarsler kan medføre alvorlig skade.
  - Må ikke bortskaffes.
- 
- Operatører og andre i arbejdsområdet skal bære slagfast øjenbeskyttelse med sideafskærmning. Manglende overholdelse af dette kan medføre alvorlig skade. CE der svarer til EN166
- 
- Bær altid andet personligt beskyttelsesudstyr, såsom høreværn, handsker og hjelm.
  - Bær kun handsker, der giver en passende fornemmelse og sikker kontrol af aftrækere og justeringsenheder.
  - Operatører og andre personer i arbejdsområdet skal bære høreværn.
  - Ubeskyttet eksponering for høje støjniveauer kan forårsage permanent, invaliderende høretab og andre problemer, såsom tinnitus (ringen, summen, fløjten eller brummen for ørerne).
  - Passende kontroller til reducere af risikoen kan inkludere handlinger såsom dæmpningsmaterialer til at forhindre arbejdssemner i at "ringe".
  - Anvend passende høreværn.
  - Betjen og vedligehold værktøjet, som anbefalet i vejledningerne, for at forhindre unødvendige stigninger i støjniveauer.
  - Hvis værktøjet har en lydæmper, skal du altid kontrollere, at den er installeret og i god stand, når værktøjet betjenes.
- 
- Eksponering for vibration kan forårsage invaliderende skade på nerver og blodtilførsel til hænder og arme.
  - Bær varmt tøj når der arbejdes under kolde forhold, hold dine hænder varme og tørre.
  - Hvis du oplever følelsesløshed, prikken, smerte, eller huden på dine fingre eller hænder bliver bleg, skal du forhøre dig med en kvalificeret erhvervs sundhedsprofessionel angående de samlede aktiviteter.
  - Betjen og vedligehold værktøjet som anbefalet i vejledningerne for at forhindre unødvendige stigninger i vibrationsniveauer.
  - Hold værktøjet med et let men sikkert greb, fordi risikoen for vibration normalt er større, når gribestyrken er højere.
- 
- Vær opmærksom på hvad du gør og brug din sunde fornuft, når du betjener et elværktøj. Brug ikke værktøjet når du er træt eller påvirket af stoffer, alkohol eller medicin. Et øjeblik uopmærksomhed under betjening af elværktøjer, kan medføre alvorlig personskade.



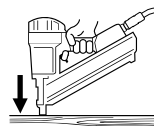
- Anvend kun korrekt energiforsyning, som anvist
- Anvend aldrig ilt, kuldioxid eller anden gas på flaske som energikilde til dette værktøj; værktøjet vil eksplodere og forårsage alvorlig skade.
- Anvendelse af ilt eller brændbare gasser til pneumatisk værktøjer udgør en brand- eller eksplosionsfare.



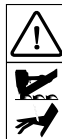
- Fjern altid fingeren fra aftrækkeren, når der ikke slås søm i. Bær aldrig værktøjet med en finger på aftrækkeren. Værktøjet afskyder et søm, hvis det støder ind i arbejdsemnet.
- Værktøjets hvileposition er på siden, med luften afbrudt.
- Hvilepositionen inkluderer at fjerne fingeren fra aftrækkeren og placere værktøjet således, at det ikke kommer i kontakt med arbejdsemnet.
- Hånder altid værktøjet, som om det indeholder søm. Hold værktøjet rettet væk fra dig selv og andre. Ingen fjoller. Respekter værktøjet som et arbejdsredskab.
- Hold hænder og fødder væk fra affyringsretningen.
- Kun dygtige operatører bør anvende sømpistoler.



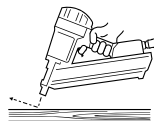
- Slå kun søm i arbejdsoverfladen, aldrig i materialer der er hårde at gennemtrænge.
- Det er nødvendigt at lægge pres på værktøjet til stål og beton.
- Under betjening kan der blive udledt rester fra arbejdsemnet og indsamlingsystemet.
- Kontroller, at værktøjet altid er sikkert i indgreb på arbejdsemnet og ikke kan glide.



- Værktøjer udstyret med "Knappaktivering" må ikke anvendes:
  - Hvis der skiftes arbejdsområde via trapper, stiger eller stilladser.
  - Til at lukke papkasser eller kasser.
  - Til montering af transportsikkerhedssystemer.
  - Til at flytte platforme
- Læs og forstå risici i forbindelse med selektiv aktivering i afsnittet "Brug af værktøj".



- Tving ikke værktøjet. Lad værktøjet gøre arbejdet. Brug det rigtige værktøj til din arbejdsopgave. Det rigtige værktøj vil udføre jobbet bedre og mere sikkert ved den hastighed, det er designet til.
- Stræk dig ikke for langt ud
- Hav godt fodfæste og hold balancen til enhver tid.



- Slå ikke søm oven i andre søm eller med værktøjet i en for stejl vinkel.
- Sømmet kan blive bøjet og forårsage skade.

- Vær forsigtig med bagslag efter der slås søm i med værktøjet. Hvis der utilsigtet opstår kontakt med arbejdsområdet igen efter et bagslag, vil et nyt uønsket søm blive slået i. Tillad derfor værktøjet at lave bagslag væk fra arbejdsoverfladen, efter et søm er slået i for at undgå dette forhold. Tryk ikke på arbejdsomnekontakten på arbejdsfladen før et nyt søm skal slås i.



- Hold værktøjet korrekt i et fast greb og vær klar til at modvirke og styre normale eller pludselige bevægelser, såsom bagslag. Grebet bør være sikkert men passende for at reducere vibrationsfare, som kan forårsage alvorlig skade.
- Oprethold en afbalanceret kroppsposition og et sikkert fodfæste.
- Vær forsigtig, når der anvendes pneumatiske værktøjer, da værktøjet bliver koldt. Dette kan påvirke greb og kontrol.

- Slå ikke søm i tæt på kanten på arbejdsoverfladen.
- Sømmet kan blive bøjet og forårsage skade.
- Hold tilskuere på afstand.
- Marker tydeligt dit arbejdsområde.

- Afbryd værktøjet fra luft før det vedligeholdes, der fjernes søm der sidder fast, laves justeringer, arbejdsområdet forlades, værktøjet flyttes til et andet sted eller gives til en anden person.



- Værktøjet kan afskyde et søm, når det tilsluttes til lufttilførslen; derfor ⚠ skal alle søm fjernes fra værktøjet, før luftslangen påsættes.
- Vær forsigtig ved håndtering af søm, under ladning/afledning. Søm har skarpe spidser.

- Anvend aldrig værktøjet, hvis arbejdsomnekontakt, aftrækker eller fjedre er uvirksomme, mangler eller er beskadiget. Lav ikke indgreb på eller fjern arbejdsomnekontakt, aftrækker eller fjedre.
- Ændringer kan reducere effektiviteten af sikkerhedsforholdsregler og øge risikoen for operatør/tilskuere.
- Anvend ikke værktøjet, hvis det er beskadiget.

- Kontrollér, at alle skruer og hætter er sikkert påsat hele tiden. Lav daglige kontroller for fri bevægelse af aftrækker og arbejdsomnekontakt. Anvend aldrig værktøjet, hvis der mangler dele eller de er slidte eller beskadigede.

- Anvend altid det sekundære håndtag (hvis det medfølger)

- Anvend kun dele, søm, smøremidler og tilbehør, der anbefales eller sælges af SENCO. Værktøjet må ikke ændres uden tilladelse fra SENCO.

- Anvend kun ren, tør, reguleret trykluft ved anbefalet tryk.
- Slå altid lufttilførslen fra og afbryd værktøjet, når det ikke anvendes.

- Værktøjer må ikke tilsluttes til tryk, som overskrider det maksimale driftstryk med 10 %.
- Overskrid ikke det maksimale driftstryk PS maks.

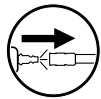
- Værktøjer markeret med en omvendt trekant må ikke anvendes, medmindre de udstyres med en effektiv arbejdsomnekontakt.



- Værktøjer uden arbejdsomnekontakt kan starte utilsigtet og forårsage skade.

- Stativer til montering af værktøjer på en holder, skal designes og fremstilles af producenten af stativet således, at værktøjet sikkert kan fastgøres til det tilsigtede formål.

- Værktøjet og lufttilførselsslangen skal have en tilslutningsstuds, så alt tryk fjernes fra værktøjet, når koblingssamlingen er afbrudt.



- Trykluft kan forårsage alvorlig skade.
- Afbryd altid værktøjet fra tryklufforsyningen, før der udskiftes tilbehør, laves justeringer og/eller reparationer, eller når det flyttes til et andet arbejdsområde.
- Ret aldrig trykluft mod dig selv eller nogen andre.
- Et slag med slangen kan forårsage alvorlig skade – kontroller altid for beskadiget eller løs slange.

- llæg ikke søm, når aftrækkeren eller arbejdsomnekontakten er nedtrykket.

- Anvend ikke værktøj uden faremærkat på værktøjet. Hvis der mangler en mærkat, eller den er beskadiget eller ulæselig, skal du kontakte en SENCO-repræsentant for at få en ny mærkat.



- Anvend aldrig et værktøj, der lækker luft eller skal repareres.
- Anvend ikke, hvis værktøjet er beskadiget.
- Bær eller træk aldrig et pneumatisk værktøj i slangen.

- Udfør ikke nogle "nødreparationer" uden korrekt værktøj og udstyr.

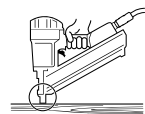
- Kontroller altid værktøjet før brug for ødelagte, fejltilsluttede, løse eller slidte dele.



Skriftlig godkendelse af fabrikanten af værktøjet skal opnås forud for enhver ændring på værktøjet.

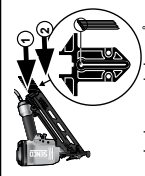

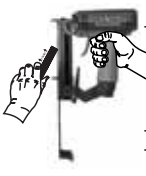

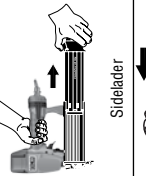

- Hold hænder og andre dele af kroppen væk fra området vist i cirklen for at undgå mulig skade under betjening.

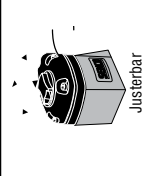
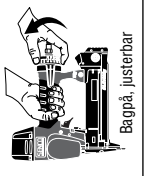
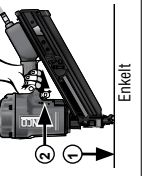
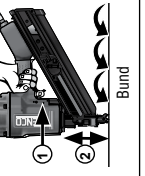
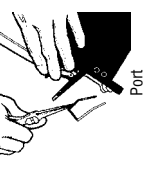
- Hold fingre væk fra aftrækkeren, når værktøjet ikke betjenes og når det flyttes til en ny driftsposition.



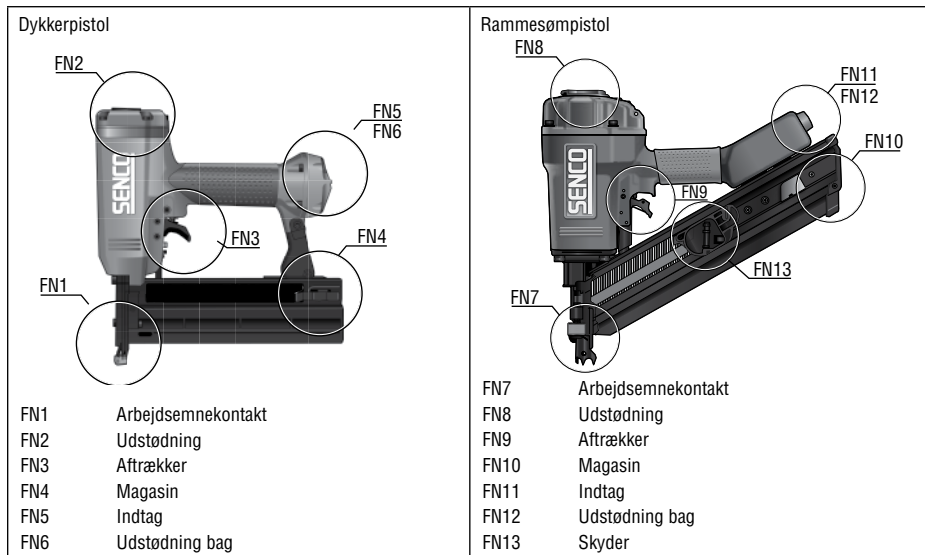
**BRUG AF VÆRKTØJET**

Værktøj	Ledning	Aftledning	Udstødning	Aftrækertype	Justering af slaglyde	Fjernelse af søm, der sidder fast	Sikkerhedsselement	Smøring
SN90CXP			Justerbart (C1)	Affyringsmekanisme i bunden (D2)		Via magasin		Påkrævet
SN90FXP			Front	Enkelt sekventiel (D1)	Justerbart			
FramePro601			Justerbart (C1)	Affyringsmekanisme i bunden (D2)				
FramePro651			Front	Enkelt sekventiel (D1)				
SN1602			Front	Affyringsmekanisme i bunden (D2)				
SN1302			Front	Enkelt sekventiel (D1)				
S900FN	Lademagasinet bag på (A1)	Udløst skyderen og skub den fremad (B1)	Justerbart (C1)	Enkelt sekventiel (D1)				
SidingPro40			Front	Affyringsmekanisme i bunden (D2)				
FinishPro42XP			Front	Enkelt sekventiel (D1)				Oliefri
FinishPro16XP			Forside - Luftudblæsning integreret i trykknop	Kan vælges				
FinishPro30XP			Justerbart (C1)	Enkelt sekventiel (D1)				
S250FN			Justerbart (C1)	Enkelt sekventiel (D1)				
FinishPro35Mg			Justerbart - Luftudblæsning integreret i trykknop	Kan vælges		EZ-Clear port (F1)		Påkrævet
SLP20XP			Front		Ingen			Oliefri
SLP20XP GLN			Front	Enkelt sekventiel (D1)	Ingen			Oliefri
SBN10XP			Bagpå (C2)	Enkelt sekventiel (D1)	Ingen	Via magasin		Påkrævet
FinishPro25XP			Front					Oliefri
FinishPro18Mg			Bagpå (C2)	Affyringsmekanisme i bunden (D2)				
S200BN	Sideleder (A2)	Skub lås og glideskinne åben (B2)	Front	Enkelt sekventiel (D1)	Justerbart	EZ-Clear port (F1)		Påkrævet
S200SM			Bagpå (C2)	Enkelt sekventiel (D1)				
FinishPro23SXP			Bagpå (C2)	Enkelt sekventiel (D1)				
FinishPro23LXP			Bagpå (C2)	Enkelt sekventiel (D1)				
FinishPro21LXP			Front	Enkelt sekventiel (D1)				
FinishPro10	Lademagasinet i bund (A3)	Skub lås og glideskinne åben (B3)	Bagpå (C2)	Enkelt sekventiel (D1)				
LS1XP			Front	Enkelt sekventiel (D1)	Ingen	Via magasin		Oliefri

Matrix billede nr.	Beskrivelse	Bemærkninger om billeder
A1	 <p>Lademagasin bag på</p>	<p>Lad ikke værktøjet, når aftrækkeren er trykket ned</p> <ol style="list-style-type: none"> <li>1 Tilslut luftforsyningen</li> <li>2 Indsæt en stang med søm - brug kun originale SENCO søm</li> </ol>
A2	 <p>Sideleder</p>	<p>Lad ikke værktøjet, når aftrækkeren er trykket ned</p> <ol style="list-style-type: none"> <li>1 Tilslut luftforsyningen</li> <li>2 Indsæt en stang med søm - brug kun originale SENCO søm</li> </ol>
A3	 <p>Lademagasin i bund</p>	<p>Tryk på låsen; glideskinnen åbner</p> <p>Anbring stangen med søm i magasinet, så punkterne peger i den viste retning</p> <p>Lad ikke værktøjet, når aftrækkeren er trykket ned</p> <p>derefter punkt 1 (tryk lås ned) og 2 (anbring søm)</p>
B1	 <p>Lademagasin bag på</p>	<ol style="list-style-type: none"> <li>1 Udløs skyderen og skub den fremad (B1).</li> <li>2 Tag sømme ud af værktøjet</li> </ol>
B2	 <p>Sideleder</p>	<p>Skub lås og glideskinne åben; tag sømme ud</p>
B3	 <p>Lademagasin i bund</p>	<p>Skub lås og glideskinne åben; tag sømme ud</p>

Matrix billede nr.	Beskrivelse	Bemærkninger om billeder
C1	 <p>Justerbar</p>	<p>Deflektoren kan roteres for at ændre retningen af udstødningsluften.</p>
C2	 <p>Bagpå, justerbar</p>	<p>Deflektoren kan roteres for at ændre retningen af udstødningsluften.</p>
D1	 <p>Enkelt</p>	<ol style="list-style-type: none"> <li>1 Tryk arbejdssemnekontakten (sikkerhedsanordning) mod arbejdsfladen.</li> <li>2 Tryk på aftrækkeren og sømme rammes ned.</li> </ol>
D2	 <p>Bund</p>	<ol style="list-style-type: none"> <li>1 Tryk på aftrækkeren.</li> <li>2 Tryk arbejdskontakttelementet mod arbejdsfladen og slå et søm i.</li> </ol> <p>Hver gang du skubber arbejdssemnekontakten (sikkerhedsanordning) mod arbejdsfladen, nedrammes et søm.</p>
F1	 <p>Port</p>	<p>Friger E-Z Clear låsen til magasinet, og åbn døren.</p>

## VÆRKTØJSELEMENTER



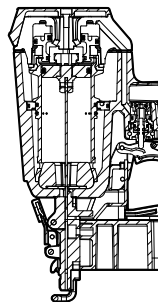
DK

### VEDLIGEHOELSE

#### Advarsel

- Reparationer ud over de her beskrevne, bør kun udføres af uddannet kvalificeret personale. Kontakt Senco for information ved at ringe til: +31 320 295 575.
  - Læs afsnittet "Sikkerhedsadvarsler" inden værktøjet vedligeholdes.
  - Brug kun reservedele, der er angivet af producenten eller autoriserede forhandlere.
- 
- Alle skruer skal være skruet godt fast. Løse skrue resulterer i usikker betjening og beskadigelse af dele.
  - Kontrollér hver måned
- 
- Foretag dagligt eftersyn for at sikre fri bevægelse af arbejdsemnekontakten og aftrækkeren, mens værktøjet er frakoblet. Brug ikke værktøjet, hvis arbejdsemnekontakten eller aftrækkeren sidder fast eller binder.
- 
- Sprøjt Senco pneumatisk olie (5 til 10 dråber) i luftindtaget to gange om dagen (afhængig af hvor hyppigt værktøjet bruges). Andre olietyper kan beskadige O-ring og andre dele af værktøjet.
  - Nogle Senco værktøjer er oliefrie og KRÆVER IKKE olie. Kontrollér etiketten.
- 
- Rengør værktøjet dagligt med en klud, og kontrollér for slitage. Brug ikke-antændelige rengøringsmidler, men kun hvis det er nødvendigt.
  - **Nedsænk ikke værktøjet i rengøringsvæske.**
  - **Forsigtigt!** Sådanne opløsningsmidler kan beskadige O-ringe og andre dele af værktøjet.
  - Bortskaf rengøringsmateriale korrekt.

### FEJLFINDING



#### Hvis værktøjet blokeres af søm:

- Frakobl luftforsyningen
- Fjern sømmene
- Afhjælp blokeringen
- Følg fremgangsmåden for ladning

1	<p><b>SYMPTOM</b> Luft siver ud i nærheden af værktøjets øverste del. / Værktøjet fungerer træt.</p> <p><b>LØSNING</b> Bekræft at luftforsyningen er tilstrækkeligt. / Stram skrue eller installer reparationssettet. Se reservedelsmanualen</p>
2	<p><b>SYMPTOM</b> Luftlækage i bunden af værktøjet/dårlig tilbagekomst.</p> <p><b>LØSNING</b> Rens værktøj/stram skrue eller installer reparationssettet. Se reservedelsmanualen</p>
3	<p><b>SYMPTOM</b> Andre problemer.</p> <p><b>LØSNING</b> Kontakt Senco.</p>

## TEKNISKE SPECIFIKATIONER

Værktøjstype	Minimum til maksimum driftstryk	Luftforbrug (60 cyklusser pr. minut) liter	Luftindtag	Maks. hastighed (cyklusser pr. sekund)	Vægt i kg	Sømlkapacitet	Værktøjss størrelse: Højde i mm	Værktøjss størrelse: Længde i mm	Værktøjss størrelse: Bredde: Hoveddel i mm
<b>XtremePro Serie</b>									
SLP20XP	4,8-8,3 bar	52,7	1/4 i NPT	5	1,0	110	210	241	50
SLP20XP GLN	4,8-8,3 bar	52,7	1/4 i NPT	5	1,0	110	210	241	50
SBN10XP	4,5-7,0 bar	19,0	1/4 i NPT	2	0,96	105	167	255	42
LS1XP	4,8-7,5 bar	23,1	1/4 i NPT	5	1,3	100	197	211	51
FinishPro25XP	4,8-8,3 bar	52,7	1/4 i NPT	5	1,2	110	251	249	56
FinishPro30XP	4,8-8,3 bar	61,0	1/4 i NPT	5	1,73	104	244	305	83
FinishPro42XP	4,8-8,3 bar	133,0	1/4 i NPT	5	2,1	104	292	330	89
SN90CXP	4,8-8,3 bar	283,2	3/8 i NPT	2	3,62	70	337	384	106
SN90FXP	4,8-8,3 bar	283,2	3/8 i NPT	2	3,81	60	337	508	106
FinishPro23SXP	4,8-6,9 bar	31,0	1/4 i NPT	5	1,1	100	192	200	44
FinishPro23LXP	4,8-7,6 bar	31,0	1/4 i NPT	5	1,2	100	226	200	44
FinishPro21LXP	4,8-7,6 bar	31,0	1/4 i NPT	5	1,43	100	226	200	44
<b>Pro Serie</b>									
FinishPro10	4,8-6,5 bar	21,6	1/4 i NPT	2	1,1	110	168	229	44
FinishPro18Mg	4,8-8,3 bar	68,0	1/4 i NPT	5	1,1	110	247	266	64
FinishPro16XP	4,8-8,3 bar	61,2	1/4 i NPT	3	1,9	110	292	308	81
FinishPro35Mg	4,8-8,3 bar	62,0	1/4 i NPT	5	1,9	110	311	330	86
FramePro601	4,8-8,3 bar	283,2	3/8 i NPT	2	3,62	70	337	384	106
FramePro651	4,8-8,3 bar	311,5	3/8 i NPT	2	3,81	70	362	384	106
SidingPro40	4,8-8,3 bar	172,8	3/8 i NPT	4	2,13	70	323	351	86
SN1602	5,5-8,3 bar	255,0	3/8 i NPT	2	6,2	50-56	478	533	144
SN1302	5,5-8,3 bar	297,0	3/8 i NPT	2	7,0	48-56	500	560	140
<b>SemiPro Serie</b>									
S200BN	4,8-8,3 bar	21,6	1/4 i NPT	5	1,4	107	232	251	68
S200SM	4,8-8,3 bar	88,3	1/4 i NPT	5	1,43	85	252	240	68
S250FN	4,8-8,3 bar	128,0	1/4 i NPT	4	2,25	100	303	346	85
S900FN	4,8-8,3 bar	273,8	3/8 i NPT	2	4,2	80	380	500	154

DK

**SØMSORTIMENT**

**DK**

Værktøjstype	Samtype i mm																	
	0,68	0,84	1,2		1,6	1,8	2,3		2,9		3,1		3,3		3,8	4,2	4,6	
			Reg. hoved	Let hoved			Hovedløs	Glat	Ring	Glat	Ring	Skrue	Glat	Ring				Skrue
SN1602																		
SN1302																		
SN90CXP																		
SN90FXP																		
FramePro601																		
FramePro651																		
S900FN																		
SidingPro40								45-60										
FinishPro42XP								32-63										
FinishPro30XP								25-50										
FinishPro35Mg								32-63										
S250FN								32-63										
SLP20XP																		
SLP20XP GLIN								16-42										
FinishPro10								16-42										
SBM10XP																		
LS1XP																		
FinishPro25XP								12-25										
FinishPro18Mg								16-54	16-42									
S200BN								16-54										
FinishPro16XP								16-50										
S200SM																		
FinishPro23SXP								32-63										
FinishPro23LXP								15-50										
FinishPro21LXP																		
FinishPro21LXP																		
FinishPro21LXP																		



## STØJINFORMATION

### Støjinformation

i overensstemmelse med EN12549

Disse værdier er værktøjsrelaterede karakteristiske værdier og repræsenterer ikke støj udviklet på anvendelsesstedet. Konstruktionen af arbejdslokalet kan også tjene til at nedsætte støjniveauer, f.eks. ved at placere arbejdsområdet på støjdæmpningsstøtter.

### Information om svingning

i overensstemmelse med ISO8662-11

Denne værdi er en værktøjsrelateret karakteristisk værdi og repræsenterer ikke indflydelsen på hånd-arm-systemet, når værktøjet anvendes.

Værktøjstype	Lydtrykniveau (Lpa) dB	Lydeffektniveau (Lwa) dB	Vibrationsniveau m/s <sup>2</sup>
<b>XtremePro Serie</b>			
SLP20XP	83	89	1,18
SLP20XP GLN	83	89	1,18
SBN10XP	78,6	87,77	1,7
LS1XP	84	89	<2,5
FinishPro25XP	89	94	<2,5
FinishPro30XP	85	98	<2,5
FinishPro42XP	89	94	<2,5
SN90CXP	96	101	4
SN90FXP	96	101	4
FinishPro23SXP	47,8	60,8	1,63
FinishPro23LXP	47,8	60,8	1,63
FinishPro21LXP	47,8	60,8	1,63
<b>Pro Serie</b>			
FinishPro10	81	86	<2,5
FinishPro18Mg	68	78,8	<2,5
FinishPro16XP	93,7	106,7	<2,5
FinishPro35Mg	87,6	93,2	2,9
FramePro601	96	101	3,7
FramePro651	97	101	3,67
SidingPro40	84	97	2,6
SN1602	95,9	132	8,3
SN1302	93	106	4
<b>SemiPro Serie</b>			
S200BN	91	104	<2,5
S200SM	91	104	<2,5
S250FN	91	104	<2,5
S900FN	85	90	2,5

DK

## TILBEHØR

SENCO tilbyder et komplet udvalg af tilbehør til Deres SENCO værktøjer, herunder:

- Luftkompressorer
- Slanger
- Koblinger
- Beslag
- Sikkerhedsbriller
- Manometre
- Smøremidler
- Regulatorer
- Filtre

For yderligere oplysninger eller et komplet illustreret katalog af SENCO tilbehør, gå til [SENCO.EU](http://SENCO.EU).



DK

# ÍNDICE

Responsabilidades del empleador .....	83
Descripción general.....	83
Advertencias.....	83
Advertencias de seguridad.....	84
Uso de la herramienta .....	86
Mantenimiento .....	88
Solución de problemas.....	88
Datos técnicos.....	89
Gama de clavos.....	90
Información sobre ruidos.....	91
Accesorios.....	91
Declaración de conformidad.....	132
Garantía limitada .....	134

## RESPONSABILIDADES DEL EMPLEADOR



Es responsabilidad del empleador asegurarse de que todo el personal asignado al uso de esta herramienta lea y comprenda este manual. Guarde este manual en lugar seguro para futuras consultas. Para prevenir todos los riesgos, es esencial realizar una evaluación de riesgos e implementar las medidas de control adecuadas.

## RIESGOS DEL ENTORNO LABORAL

Son de aplicación los siguientes puntos:

- Resbalones, tropiezos y caídas son las causas principales de lesiones en el puesto de trabajo. Preste atención a la presencia de superficies deslizantes derivadas del uso de la herramienta y al riesgo de tropiezo por la manguera de suministro de neumático.
- Extreme la precaución al trabajar en entornos con los que no esté familiarizado. Podría haber peligros ocultos como electricidad u otros conductos de suministro.
- Esta herramienta no está diseñada para su uso en atmósferas potencialmente explosivas y no está aislada del contacto con la energía eléctrica.
- Asegúrese de que no haya presencia de cables eléctricos, conductos de gas, etc., que pudieran representar un riesgo en caso de sufrir daños por parte de la herramienta.

## PELIGROS DERIVADOS DEL POLVO Y GASES DE ESCAPE

Si la herramienta se utiliza en áreas con acumulación de polvo estático, podría alterar la atmósfera suponiendo un riesgo. Son de aplicación los siguientes puntos:

- La evaluación de riesgos debe incluir el polvo generado por el uso de la herramienta y la alteración potencial del polvo existente.
- Dirija los gases de escape minimizando la alteración de entornos con acumulación de polvo.
- Allí donde el polvo o los gases de escape generen un riesgo, la prioridad será su control en el punto de emisión.

## DESCRIPCIÓN GENERAL

- Herramienta portátil de clavado mecánico que consta de: una unidad de accionamiento neumático, un bastidor guía y un cargador en el que la energía se aplica en forma de movimiento lineal a un clavo cargado para clavarlo en los materiales definidos, a menos que se use un clavo específico diseñado para uso en hormigón o acero.
- Queda prohibido cualquier otro uso.







## ADVERTENCIAS

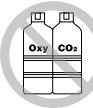
Las herramientas con este símbolo solo se utilizarán en aplicaciones de producción. Queda prohibido cualquier otro uso.

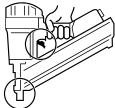
- No ponga los dedos sobre el gatillo al recoger la herramienta, trasladarla entre áreas y ubicaciones de trabajo ni al andar para evitar accionamientos accidentales. En herramientas con accionamiento selectivo, compruebe siempre la unidad antes de utilizarla para verificar la selección del modo correcto.
- Esta herramienta dispone de accionamiento selectivo por contacto o contacto continuo por medio de selectores de modo de accionamiento o es una herramienta de contacto de accionamiento por contacto o accionamiento continuo y está marcada con el símbolo anterior. Su uso previsto es para aplicaciones de producción como palés, mobiliario, casas de madera, tapicería y recubrimiento.
- Si se utiliza esta herramienta en modo de accionamiento selectivo, asegúrese en todo momento de que se encuentre en el ajuste correcto.
- No utilice esta herramienta en accionamiento por contacto en aplicaciones como cierre de cajas y montaje de sistemas de seguridad de transporte en remolques y camiones.
- Preste atención al cambiar entre posiciones de clavado.



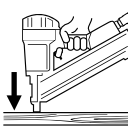
## ADVERTENCIAS DE SEGURIDAD


- Lea y comprenda estas advertencias para evitar lesiones personales y a terceros. Consulte las secciones de uso, mantenimiento y solución de problemas de la herramienta para obtener información adicional. 
  - No seguir las advertencias podría causar lesiones.
  - No descartar.
- 
- Los operadores y otros miembros del área de trabajo deberán utilizar protección ocular resistente a impactos con protecciones laterales. No hacerlo podría ocasionar lesiones graves. CE equivalente a EN166 
- 
- Utilice siempre equipo de protección personal como protección auditiva, guantes y casco.
  - Utilice solo guantes que proporcionen el tacto adecuado y un control seguro de los gatillos y dispositivos de ajuste. 
  - Los operadores y el resto de los miembros del personal del área de trabajo utilizarán protección acústica. 
  - La exposición sin protección a altos niveles de ruido puede provocar pérdidas auditivas permanentes y otros problemas como zumbidos del oído (ruido de zumbidos, silbidos o pitidos en los oídos).
  - Entre los controles adecuados para reducir el riesgo, pueden incluirse el uso de materiales de amortiguación para evitar que las piezas emitan zumbidos.
  - Utilice la protección acústica adecuada.
  - Utilice y mantenga la herramienta siguiendo las instrucciones recomendadas para evitar aumentos innecesarios de los niveles de ruido.
  - Si la herramienta dispone de un silenciador, asegúrese siempre de que se encuentre en su sitio y en perfecto estado al utilizar la unidad.
- 
- La exposición a la vibración puede ocasionar daños permanentes en los nervios y el riesgo sanguíneo de manos y brazos. 
  - Utilice ropa de abrigo al trabajar en climas fríos, mantenga las manos calientes y secas.
  - Si sufre entumecimiento, hormigueo, dolor o falta de riego en la piel de dedos o manos, solicite asistencia médica a un profesional de salud laboral en actividades generales.
  - Utilice y mantenga la herramienta siguiendo las instrucciones recomendadas para evitar aumentos innecesarios de los niveles de vibración.
  - Sostenga la herramienta sujetando de forma no excesivamente firme, pero segura, ya normalmente la vibración aumenta con la fuerza de agarre.
- 
- Permanezca alerta, atento en todo momento a sus acciones y utilice el sentido común al utilizar herramientas mecánicas. No utilice herramientas si está cansado, bajo la influencia de estupefacientes, alcohol o medicación. Una falta de atención puntual durante el uso de herramientas mecánicas puede provocar lesiones graves. 

- Utilice solo la fuente de energía correcta
- No utilice nunca oxígeno, dióxido de carbono ni otros gases embotellados para alimentar esta herramienta o explotará provocando lesiones graves. 
- El uso de oxígeno o gases combustibles en herramientas neumáticas representa un riesgo de incendio o explosión.

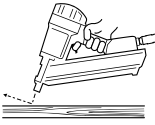
- Retire siempre los dedos del gatillo al sacar clavos. No transporte nunca la herramienta con el dedo en o bajo el gatillo. La herramienta disparará un clavo si se acciona el contacto con la pieza de trabajo. 
- La posición de reposo de la herramienta se encuentra sobre su lateral, desconectada del suministro neumático.
- La posición de reposo incluye la retirada de los dedos del gatillo y disponer la herramienta de modo que no pueda accionarse el contacto con la pieza de trabajo.

- Asuma siempre que la herramienta está cargada con clavos. Evita orientar la herramienta hacia usted o hacia el resto de las personas que le rodean. No bromea. Considere siempre la herramienta como un accesorio de trabajo.
- Mantenga las manos y piernas alejadas de la dirección de disparo.
- Solo pueden utilizar pistolas de clavos operadores con formación específica.

- Clave los clavos solo sobre superficies de trabajo; nunca en materiales de difícil penetración.
- Será preciso ejercer fuerza adicional para herramientas de acero y hormigón. 
- Durante la operación, la pieza y el sistema de recogida pueden generar suciedad o restos.
- Asegúrese de que la herramienta esté siempre acoplada de forma segura a la pieza de trabajo y no resbale.

- Las herramientas dotadas con "accionamiento por contacto" no deben utilizarse:
  - Si un cambio en las posiciones de clavado se ve afectado por escaleras, escaleras de mano o andamios.
  - Para cerrar cajas.
  - Para el montaje de sistemas de seguridad de transporte.
  - Plataformas móviles
- Lea y comprenda los riesgos asociados al accionamiento selectivo de la sección "Uso de la herramienta". 

- No fuerce la herramienta. Deje que la herramienta haga el trabajo. Utilice la herramienta adecuada a su aplicación. La herramienta realizará su tarea con más precisión y seguridad a la velocidad para la que fue diseñada.
- No se extralimite.
- Mantenga una posición firme y en equilibrio en todo momento.

- No clave clavos sobre otros clavos ni con la herramienta dispuesta en un ángulo excesivo. 
- Los clavos pueden desviarse y provocar lesiones.

- Al utilizar la herramienta, exteme la precaución por la posibilidad de retroceso tras clavar un clavo. Si se acciona accidentalmente el contacto con la pieza de trabajo volviendo a producirse contacto con la superficie de aplicación tras el retroceso, podría dispararse accidentalmente un clavo. Por lo tanto, permite el retroceso completo de la herramienta apartada de la superficie de trabajo tras disparar un clavo para evitar este problema. No presione el contacto con la pieza de trabajo sobre la superficie de aplicación hasta que desee clavar otro clavo.



- Sujete la herramienta correcta y firmemente y esté preparado para contrarrestar y gestionar movimientos normales y repentinos como el retroceso. El agarre debe ser seguro pero el adecuado para reducir el peligro de vibraciones que puede ocasionar lesiones graves.
- Mantenga una posición firme y equilibrada.
- Tenga en cuenta que las herramientas neumáticas se enfrían. Condición que puede repercutir en el agarre y control.

- No clave clavos cerca del borde de la superficie de trabajo.
- Los clavos pueden desviarse y provocar lesiones.
- Mantenga el área de trabajo despejada de transeúntes.
- Marque claramente su área de trabajo.

- Desconecte la herramienta del suministro neumático antes de proceder con trabajos de mantenimiento en la herramienta, retirar un clavo atascado, realizar ajustes, abandonar el área de trabajo, trasladar la herramienta a otra ubicación o pasar la herramienta a otra persona.



- La herramienta puede disparar un clavo al conectarla al suministro neumático; por lo tanto, ⊕ retire todos los clavos de la herramienta antes de acoplar la manguera de aire.
- Preste atención al gestionar la carga y descarga de los clavos. Los clavos tienen puntas afiladas.
- Nunca utilice la herramienta con el contacto con la pieza de trabajo, gatillo o muelles inoperativos, ausentes o dañados. No manipule ni desmonte el contacto con la pieza de trabajo, el gatillo o los muelles.
- Las modificaciones pueden reducir la efectividad de las medidas de seguridad y aumentar el riesgo para el operario/ transeúntes.
- No utilice la herramienta si presenta daños.

- Asegúrese de que todos los tornillos y tapas estén apretadas firmemente en todo momento. Efectúe inspecciones diarias en busca de holguras del gatillo y en el contacto con la pieza de trabajo. No utilice nunca la herramienta con piezas ausentes, desgastadas o dañadas.
- Utilice siempre la segunda agarradera (si existe)

- Utilice solo piezas, clavos, lubricantes y accesorios recomendados o vendidos por SENCO. No modifique las herramienta sin la autorización de SENCO.

- Utilice solo aire comprimido limpio, seco y regulado a la presión recomendada.
- Desactive siempre el suministro neumático y desconecte la herramienta cuando no vaya a usarla.

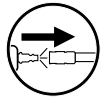
- No se conectarán herramientas a presiones que superen potencialmente la presión operativa máxima en un 10 %.
- No supere la presión operativa máxima PS máx.

- Las herramientas marcadas con un triángulo invertido podrían no poder utilizarse a menos que estén dotadas con un contacto con la pieza de trabajo efectivo.
- Las herramientas que carezcan de contacto con la pieza de trabajo pueden incendiarse accidentalmente y provocar lesiones.



- Los soportes para montar herramientas en un apoyo estarán diseñados y fabricados por un fabricante de dichos componentes de modo que pueda sujetar de forma segura la herramienta para su utilización prevista.

- La herramienta y la manguera de suministro de aire deben contar con una boquilla de conexión que elimine toda la presión de la herramienta al desconectar el racor de acoplamiento.
- El aire comprimido puede provocar lesiones graves.
- Desconecte siempre la herramienta del suministro de aire comprimido antes de cambiar los accesorios, realizar ajustes y/o reparaciones o al trasladarla del área de trabajo a otra zona diferente.
- No oriente la salida de aire comprimido hacia usted ni hacia nadie más.
- El efecto látigo de la manguera puede provoca lesiones graves; compruebe siempre la presencia de daños o de mangueras sueltas.



- No cargue los clavos con el gatillo o con el contacto con la pieza de trabajo presionados.

- No utilice la herramienta sin la etiqueta de peligro. Si la etiqueta falta, está dañada o es ilegible, contacte con su representante de SENCO para obtener una nueva.



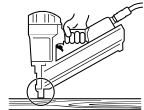
- Nunca utilice una herramienta que presente fugas de aire o que necesite reparación.
- No utilice la herramienta si presenta daños.
- No transporte ni arrastre herramientas neumáticas por su manguera.

- No realice "reparaciones de emergencia" sin contar con las herramientas o el equipo necesario.
- Compruebe siempre la presencia de piezas rotas, mal conectadas, sueltas o desgastadas en la herramienta antes de utilizarla.








Antes de realizar cualquier modificación en la herramienta, debe obtenerse aprobación por escrito del fabricante.

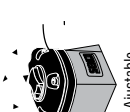




- Mantenga las manos y el resto de las partes del cuerpo alejadas del área macada con el círculo para evitar posible lesiones durante la operación.
- Mantenga los dedos alejados del gatillo cuando no esté utilizando la herramienta y el trasladarla.



## USO DE LA HERRAMIENTA

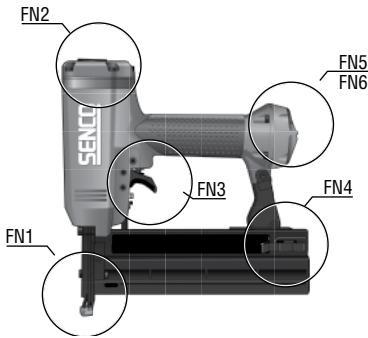
Herramienta	Carga	Descarga	Escape	Tipo de gatillo	Profundidad del ajuste del accionamiento	Liberación de atascos	Elemento de seguridad	Lubrificante
SN90CXP			Ajustable (C1)	Acc. inferior (D2)		A través del cargador		Necesario
SN90FXP			Parte delantera	Único secuencial (D1)	Ajustable			
FramePro601			Ajustable (C1)	Acc. inferior (D2)				
FramePro651			Parte delantera	Único secuencial				
SN1602			Parte delantera	Seleccionable				
SN1302			Botón frontal-pulsador integrado en el aspirador	Único secuencial (D1)				
S900FN	Carga en la parte trasera (A1)	Libere la zapata del alimentador y deslice hacia delante (B1)	Ajustable (C1)	Seleccionable				
SidingPro40			Ajustable (C1)	Único secuencial				
FinishPro42XP			Botón ajustable-pulsador integrado en el aspirador	Seleccionable				
FinishPro16XP			Ajustable (C1)	Único secuencial (D1)				
FinishPro30XP			Ajustable (C1)	Único secuencial (D1)				
S250FN			Botón ajustable-pulsador integrado en el aspirador	Seleccionable				
FinishPro35Mg			Parte delantera	Único secuencial (D1)	Ninguno			Sin aceite
SLP20XP			Parte delantera	Único secuencial (D1)	Ninguno			Sin aceite
SLP20XP GLN			Trasero (C2)	Único secuencial (D1)	Ninguno			Sin aceite
SBN10XP			Parte delantera	Único secuencial (D1)	Ninguno			Necesario
FinishPro25XP			Trasero (C2)	Único secuencial (D1)	Ninguno			Sin aceite
FinishPro18Mg	Carga lateral (A2)	Presione el cierre y deslice el raii para abrir (B2)	Parte delantera	Acc. inferior (D2)				
S200BN			Trasero (C2)	Único secuencial (D1)				
S200SM			Parte delantera	Único secuencial (D1)				
FinishPro23SXP			Trasero (C2)	Único secuencial (D1)	Ajustable			Necesario
FinishPro23LXP			Trasero (C2)	Único secuencial (D1)				
FinishPro21LXP			Parte delantera	Único secuencial (D1)				
FinishPro10	Carga en la parte inferior (A3)	Presione el cierre y deslice el raii para abrir (B3)	Trasero (C2)	Único secuencial (D1)				
LS1XP			Parte delantera	Único secuencial (D1)	Ninguno			Sin aceite

N.º de imagen de matriz	Descripción	Notas de la imagen
A1	 <p>Carga en la parte trasera</p>	<p>No cargar con el gatillo presionado</p> <ol style="list-style-type: none"> <li>1 Conecte el suministro de aire</li> <li>2 Inserte la tira de clavos: utilice solo clavos originales SENCO</li> </ol>
A2	 <p>Carga lateral</p>	<p>No cargar con el gatillo presionado</p> <ol style="list-style-type: none"> <li>1 Conecte el suministro de aire</li> <li>2 Inserte la tira de clavos: utilice solo clavos originales SENCO</li> </ol>
A3	 <p>Carga en la parte inferior</p>	<p>Presione el cierre, deslice el carril para abrir</p> <p>Coloque la tira de clavos en el cargador con las puntas orientadas hacia la dirección mostrada</p> <p>No cargar con el gatillo presionado</p> <p>luego (los puntos 1 (presionar el cierre) y 2 (colocar tiras))</p>
B1	 <p>Carga en la parte trasera</p>	<ol style="list-style-type: none"> <li>1 Libere la zapata del alimentador y deslice la hacia delante.</li> <li>2 Retire los clavos de la herramienta</li> </ol>
B2	 <p>Carga lateral</p>	<p>Presione el cierre y deslice el raiil para abrir; retire los clavos</p>
B3	<p>Carga en la parte inferior</p>	<p>Presione el cierre y deslice el raiil para abrir; retire los clavos</p>

N.º de imagen de matriz	Descripción	Notas de la imagen
C1	 <p>Ajustable</p>	<p>El deflector puede girarse para modificar la dirección del aire de salida</p>
C2	 <p>Parte trasera, ajustable</p>	<p>El deflector puede girarse para modificar la dirección del aire de salida</p>
D1	 <p>Único</p>	<ol style="list-style-type: none"> <li>1 Presione el contacto con la pieza de trabajo (elemento de seguridad) contra la superficie de trabajo..</li> <li>2 Tire del gatillo para disparar el clavo.</li> </ol>
D2	 <p>Parte inferior</p>	<ol style="list-style-type: none"> <li>1 Accione el gatillo.</li> <li>2 Presione el elemento de contacto con la pieza de trabajo contra la superficie de trabajo y dispare un clavo.</li> </ol> <p>Cada vez que presione el contacto con la pieza de trabajo (elemento de seguridad) contra la superficie de trabajo, se disparará un clavo.</p>
F1	 <p>Puerta</p>	<p>Liberar E-Z. Quitar el cierre y abrir la puerta.</p>

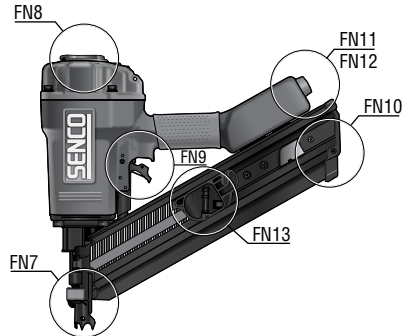
## ELEMENTOS DE LA HERRAMIENTA

Clavadora de acabado



FN1	Contacto con la pieza de trabajo
FN2	Salida
FN3	Gatillo
FN4	Cargador
FN5	Entrada
FN6	Salida, parte trasera

Clavadora de bastidor



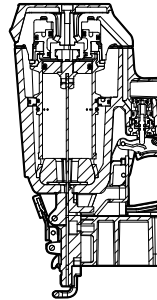
FN7	Contacto con la pieza de trabajo
FN8	Salida
FN9	Gatillo
FN10	Cargador
FN11	Entrada
FN12	Salida, parte trasera
FN13	Zapata del alimentador

## MANTENIMIENTO

### Advertencia

- Las reparaciones no descritas en este documento deben realizarse exclusivamente profesionales cualificados y con formación. Contacte con SENCO para obtener más información en el teléfono: +31 320 295 575.
- Lea la sección "Advertencias de seguridad" antes de realizar trabajos de mantenimiento en la herramienta.
- Utilice solo repuestos especificados por el fabricante o el representante autorizado.
- Todos los tornillos deben estar apretados firmemente. La presencia de tornillos sueltos puede derivar en rotura de piezas y en un funcionamiento inseguro.
- Realizar una comprobación mensual
- Con la herramienta desconectada, realice una inspección diaria para garantizar que el contacto con la pieza de trabajo y el gatillo se mueven libremente. No utilice la herramienta si el contacto con la pieza de trabajo o el gatillo presentasen alguna limitación u obstrucción.
- Aplique un poco de aceite neumático Senco (de 5 a 10 gotas) en la entrada de aire dos veces al día (dependiendo de la frecuencia de uso de la herramienta). Otros aceites podrían dañar las juntas tóricas u otras piezas de la herramienta.
- Algunas herramientas Senco funcionan sin aceite y, por tanto, NO lo requieren; compruebe la etiqueta.
- Limpie la herramienta a diario e inspecciónela en busca de posible desgaste. Utilice solo soluciones de limpieza no inflamables, en caso necesario.
- No sumergir.**
- Precaución:** otras soluciones podrían dañar las juntas tóricas u otras piezas de la herramienta.
- Elimine los materiales de limpieza por las vías adecuadas.

## SOLUCIÓN DE PROBLEMAS



### Si se produce un atasco de grapas:

Desconecte el suministro de aire

Retire los clavos

Elimine el atasco

Siga el procedimiento de carga

1	<b>SÍNTOMA</b> Fuga de aire próxima a la parte superior de la herramienta. / Funcionamiento lento
	<b>SOLUCIÓN</b> Verifique el suministro de aire/apriete de los tornillos o monte el kit de reparación; consulte el manual de piezas
2	<b>SÍNTOMA</b> Fuga de aire en la parte inferior de la herramienta / Retorno débil.
	<b>SOLUCIÓN</b> Limpie la herramienta/apriete los tornillos o monte el kit de reparación; consulte el manual de piezas
3	<b>SÍNTOMA</b> Otros problemas.
	<b>SOLUCIÓN</b> Contacte con SENCO.



## ESPECIFICACIONES TÉCNICAS

Tipo de herramienta	Presión operativa mínima-máxima	Consumo de aire (60 ciclos por minuto), litros	Entrada de aire	Velocidad máxima (ciclos por segundo)	Peso, kg	Capacidad del clavo	Dimensiones de la herramienta: Alto, mm	Dimensiones de la herramienta: Longitud en mm	Dimensiones de la herramienta: Ancho: Cuerpo principal, mm
<b>XtremePro Series</b>									
SLP20XP	4,8-8,3 bar	52,7	1/4 pulg. NPT	5	1,0	110	210	241	50
SLP20XP GLN	4,8-8,3 bar	52,7	1/4 pulg. NPT	5	1,0	110	210	241	50
SBN10XP	4,5-7,0 bar	19,0	1/4 pulg. NPT	2	0,96	105	167	255	42
LS1XP	4,8-7,5 bar	23,1	1/4 pulg. NPT	5	1,3	100	197	211	51
FinishPro25XP	4,8-8,3 bar	52,7	1/4 pulg. NPT	5	1,2	110	251	249	56
FinishPro30XP	4,8-8,3 bar	61,0	1/4 pulg. NPT	5	1,73	104	244	305	83
FinishPro42XP	4,8-8,3 bar	133,0	1/4 pulg. NPT	5	2,1	104	292	330	89
SN90CXP	4,8-8,3 bar	283,2	3/8 pulg. NPT	2	3,62	70	337	384	106
SN90FXP	4,8-8,3 bar	283,2	3/8 pulg. NPT	2	3,81	60	337	508	106
FinishPro23SXP	4,8-6,9 bar	31,0	1/4 pulg. NPT	5	1,1	100	192	200	44
FinishPro23LXP	4,8-7,6 bar	31,0	1/4 pulg. NPT	5	1,2	100	226	200	44
FinishPro21LXP	4,8-7,6 bar	31,0	1/4 pulg. NPT	5	1,43	100	226	200	44
<b>Pro Series</b>									
FinishPro10	4,8-6,5 bar	21,6	1/4 pulg. NPT	2	1,1	110	168	229	44
FinishPro18Mg	4,8-8,3 bar	68,0	1/4 pulg. NPT	5	1,1	110	247	266	64
FinishPro16XP	4,8-8,3 bar	61,2	1/4 pulg. NPT	3	1,9	110	292	308	81
FinishPro35Mg	4,8-8,3 bar	62,0	1/4 pulg. NPT	5	1,9	110	311	330	86
FramePro601	4,8-8,3 bar	283,2	3/8 pulg. NPT	2	3,62	70	337	384	106
FramePro651	4,8-8,3 bar	311,5	3/8 pulg. NPT	2	3,81	70	362	384	106
SidingPro40	4,8-8,3 bar	172,8	3/8 pulg. NPT	4	2,13	70	323	351	86
SN1602	5,5-8,3 bar	255,0	3/8 pulg. NPT	2	6,2	50-56	478	533	144
SN1302	5,5-8,3 bar	297,0	3/8 pulg. NPT	2	7,0	48-56	500	560	140
<b>SemiPro Series</b>									
S200BN	4,8-8,3 bar	21,6	1/4 pulg. NPT	5	1,4	107	232	251	68
S200SM	4,8-8,3 bar	88,3	1/4 pulg. NPT	5	1,43	85	252	240	68
S250FN	4,8-8,3 bar	128,0	1/4 pulg. NPT	4	2,25	100	303	346	85
S900FN	4,8-8,3 bar	273,8	3/8 pulg. NPT	2	4,2	80	380	500	154

ES

## RANGO DE LOS CLAVOS

Tipo de herramienta	Tipo de clavo, mm															
	0.68	0.84	1.2	1.6	1.8	2.3	2.9	3.1	3.3	3.8	4.2	4.6				
	Cabezal reg.	Cabezal reg. litg.	Sin cabezal			Liso	Anillo	Tornillo	Liso	Anillo	Tornillo	Liso	Anillo	Tornillo	Liso	
SN1602																
SN1302															100-160	100-160
SN90CXp															90-130	
SN90FXp							50-90	50-75	50-90	50-75	50-75	50-90	50-75	50-75	50-90	
FramePro601							50-90	50-75	50-90	50-75	50-75	50-90	50-75	50-75	50-90	
FramePro651							50-100	50-100	50-100	50-100	50-100	50-100	50-100	50-100	50-100	
S900FN							50-90	50-75	50-90	50-75	50-75	50-90	50-75	50-90		
SidingPro40						45-60										
FinishPro42XP					32-63											
FinishPro30XP					25-50											
FinishPro35Mg					32-63											
S250FN					32-63											
SLP20XP		16-42														
SLP20XP GLN		16-42														
FinishPro10	12-25															
SBN10XP		12-25														
LS1XP			13-25													
FinishPro25XP		16-54	16-42													
FinishPro18Mg		16-54														
S200BN		16-50														
FinishPro16XP				32-63												
S200SM				15-50												
FinishPro23SXP	12-35															
FinishPro23LXP	12-50															
FinishPro21LXP		15-50														

## INFORMACIÓN SOBRE RUIDOS

**Información sobre ruidos**  
de acuerdo con la norma  
EN12549

Estos valores son característicos de la herramienta y no representan el ruido generado en el punto de uso. El diseño del entorno de trabajo también puede servir para reducir los niveles de ruido, por ejemplo disponerlo sobre soportes con amortiguación acústica.

**Información sobre vibraciones**  
de acuerdo con la norma  
ISO8662-11

Este valor es una cifra característica asociada a la herramienta y no representa la influencia sobre el sistema mano-brazo al utilizar la herramienta.

Tipo de herramienta	Nivel de presión acústica (LpA), dB	Nivel de potencia acústica (Lwa), dB	Nivel de vibración, m/s2
<b>XtremePro Series</b>			
SLP20XP	83	89	1,18
SLP20XP GLN	83	89	1,18
SBN10XP	78,6	87,77	1,7
LS1XP	84	89	<2.5
FinishPro25XP	89	94	<2.5
FinishPro30XP	85	98	<2.5
FinishPro42XP	89	94	<2.5
SN90CXP	96	101	4
SN90FXP	96	101	4
FinishPro23SXP	47,8	60,8	1,63
FinishPro23LXP	47,8	60,8	1,63
FinishPro21LXP	47,8	60,8	1,63
<b>Pro Series</b>			
FinishPro10	81	86	<2.5
FinishPro18Mg	68	78,8	<2.5
FinishPro16XP	93,7	106,7	<2,5
FinishPro35Mg	87,6	93,2	2,9
FramePro601	96	101	3,7
FramePro651	97	101	3,67
SidingPro40	84	97	2,6
SN1602	95,9	132	8,3
SN1302	93	106	4
<b>SemiPro Series</b>			
S200BN	91	104	<2,5
S200SM	91	104	<2,5
S250FN	91	104	<2,5
S900FN	85	90	2,5

ES

## ACCESORIOS

SENCO ofrece una gama completa de accesorios para sus herramientas SENCO, incluyendo:

- Compresores de aire
- Manguera
- Acopladores
- Racores
- Gafas de seguridad
- Manómetros
- Lubricantes
- Reguladores
- Filtros

Para obtener más información o un catálogo ilustrado completo de accesorios SENCO, visite [SENCO.UK](http://SENCO.UK).



ES

## SOMMARIO

Responsabilità del datore di lavoro .....	93
Descrizione generale.....	93
Avvertenze.....	93
Avvisi di sicurezza .....	94
Utilizzo .....	96
Manutenzione .....	98
Risoluzione dei problemi .....	98
Dati tecnici .....	99
Gamma chiodi .....	100
Informazioni sulla rumorosità.....	101
Accessori .....	101
Dichiarazione di conformità .....	132
Garanzia limitata.....	134

### RESPONSABILITÀ DEL DATORE DI LAVORO



Il datore di lavoro è tenuto ad assicurarsi che tutto il personale assegnato all'utilizzo di questo utensile abbia letto e compreso il presente manuale. Tenere il manuale a

disposizione affinché possa essere consultato in qualsiasi momento. La valutazione del rischio e l'implementazione di controlli adeguati per tutte le situazioni di pericolo sono di fondamentale importanza.

### RISCHI SUL LUOGO DI LAVORO

Si prega di tenere presente quanto segue:

- Scivolare, inciampare e cadere sono le principali cause di infortuni sul lavoro. Prestare attenzione alle superfici rese scivolose dall'uso dell'utensile, nonché al rischio di inciampare a causa del flessibile dell'aria.
- In ambienti che non si conoscono operare con estrema attenzione. Possono essere presenti rischi nascosti, come quelli connessi all'elettricità o ad altre linee di servizi.
- Questa chiodatrice non è adatta all'utilizzo in atmosfere potenzialmente esplosive e non è isolata dal contatto con la corrente elettrica.
- Assicurarsi che non vi siano cavi elettrici, condotte del gas, ecc. che possano creare un pericolo se danneggiati dall'uso della sparachiodi.

### RISCHI RELATIVI A POLVERE E USCITA DELL'ARIA

Se l'utensile è utilizzato in ambienti ricchi di polvere statica, la polvere potrebbe sollevarsi e costituire un pericolo.

Si prega di tenere presente quanto segue:

- Nella valutazione del rischio si dovrebbe considerare la polvere creata dall'uso dell'utensile e il potenziale di rischio rappresentato dalla polvere esistente.
- Direzionare l'uscita dell'aria in modo da ridurre al minimo il disturbo creato alla polvere in un ambiente pieno di polvere.
- In presenza di questi rischi, la priorità deve essere quella di controllarli nel punto di emissione.

### DESCRIZIONE GENERALE

- Pistola sparachiodi (chiodatrice) manuale consistente in una centralina pneumatica, un corpo guida e un caricatore in cui con un movimento lineare si applica energia a un chiodo caricato allo scopo di conficcare dei chiodi all'interno di determinati materiali ad eccezione del caso in cui si usino chiodi speciali progettati per l'utilizzo su calcestruzzo o acciaio.
- Qualsiasi altro utilizzo è vietato.

### AVVERTENZE

Le chiodatrici contrassegnate da questi simboli devono essere utilizzate esclusivamente per applicazioni produttive. Qualsiasi altro utilizzo è vietato.



- Non lasciare il dito sul grilletto quando si afferra l'utensile, quando ci si sposta tra diverse zone e posizioni operative o si cammina, poiché questo potrebbe provocare un azionamento involontario dello stesso. Per gli utensili dotati di attivazione selettiva, si prega di controllare sempre l'utensile per accertarsi che sia stata selezionata la modalità corretta.
- Questo utensile può essere dotato di un selettore della modalità di azionamento che consente di scegliere fra la modalità di sparo a contatto singolo e quella di sparo a contatto sequenziale, oppure può essere solo nella versione con sparo singolo o solo in quella con sparo sequenziale ed è contrassegnato dal simbolo sopraindicato. È progettato per essere utilizzato in applicazioni produttive come pallet, mobili, case prefabbricate, rivestimenti e coperture.
- Se si usa l'utensile nella modalità di attivazione selettiva, assicurarsi sempre che si trovi nell'impostazione di attivazione corretta.
- Nella versione con sparo singolo, non utilizzare questo utensile per chiudere scatole o casse o per installare sistemi di sicurezza per il trasporto su rimorchi e autocarri.
- Prestare attenzione quando ci si sposta da un punto di fissaggio a un altro.

## AVVISI DI SICUREZZA

- Per prevenire infortuni all'utilizzatore e alle persone presenti, leggere e comprendere queste avvertenze. Per ulteriori informazioni, consultare le sezioni relative all'utilizzo, alla manutenzione e alla risoluzione dei problemi.
- Il mancato rispetto delle avvertenze implica il rischio di gravi infortuni.
- Non buttare via.



- Operatori e altre persone presenti nell'area di lavoro devono indossare occhiali di sicurezza resistenti agli urti con protezioni laterali. In caso contrario, si possono rischiare gravi incidenti. CEE equivalente alla norma EN166



- Indossare sempre altri dispositivi di protezione individuale come cuffie, guanti e casco.
- Indossare esclusivamente guanti che consentano un'adeguata sensibilità e un controllo sicuro dei grilletti e dei dispositivi di regolazione.
- Operatori e altre persone presenti nell'area di lavoro devono indossare dispositivi di protezione dell'udito.
- L'esposizione non protetta a elevati livelli di rumore può causare una perdita di udito permanente e invalidante e altri problemi come acufene (suono, ronzio, fischio o brusio nelle orecchie).
- Per ridurre il rischio può essere opportuno utilizzare, tra le altre cose, materiali assorbenti per evitare il "ronzio" dei pezzi da lavorare.
- Indossare sempre dispositivi di protezione dell'udito.
- Per evitare un'inutile innalzamento dei livelli di rumore, il funzionamento e la manutenzione dell'utensile devono seguire i suggerimenti forniti in queste istruzioni.
- Se l'utensile è dotato di silenziatore, assicurarsi sempre che questo sia in posizione e in buone condizioni operative quando l'utensile è in funzione.



- L'esposizione alle vibrazioni può causare danni invalidanti ai nervi e alla circolazione del sangue negli arti superiori.
- Quando si lavora in ambienti freddi, indossare abiti caldi, tenere le mani asciutte e al caldo.
- Nel caso in cui si noti intorpidimento, formicolio, dolore o sbiancamento della pelle delle dita o delle mani, consultare un medico specializzato in medicina del lavoro.
- Per evitare un'inutile innalzamento dei livelli di vibrazione, il funzionamento e la manutenzione dell'utensile devono seguire i suggerimenti forniti in queste istruzioni.
- Impugnare l'utensile senza forza eccessiva, ma in modo sicuro, perché il rischio di vibrazione è solitamente maggiore se maggiore è la forza d'impugnatura.

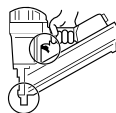


- Restare vigili, prestare attenzione a ciò che si fa e usare il buon senso quando si opera con un utensile elettrico. Non usarlo quando si è stanchi o sotto l'influenza di droghe, alcool o medicinali. Un momento di disattenzione potrebbe causare gravi lesioni fisiche.

- Utilizzare esclusivamente la fonte di alimentazione appropriata
- Non utilizzare mai ossigeno, anidride carbonica o qualsiasi altro gas in bombola come alimentazione per questo utensile, l'utensile esploderebbe causando gravi lesioni.
- L'utilizzo di ossigeno o di gas combustibili per gli utensili pneumatici crea il rischio di incendio o esplosione.

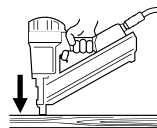


- Togliere sempre il dito dal grilletto quando non si sta utilizzando l'utensile. Non trasportare mai l'utensile tenendolo dal grilletto o da sotto il grilletto. Se si urta la punta, l'utensile espellerà un chiodo.
- La posizione in cui lasciare a riposo l'utensile è sul fianco e scollegato dall'aria.
- Per mettere l'utensile in posizione di riposo occorre anche togliere il dito dal grilletto e posizionare l'utensile in modo che non possa esserci il contatto con il pezzo da lavorare.



- Partire sempre dal presupposto che l'utensile sia carico. Tenerlo, quindi, puntato lontano da se stessi e dagli altri. Non utilizzarlo per gioco. Trattare l'utensile come uno strumento di lavoro.
- Tenere mani e gambe lontane dalla direzione di sparo.
- L'utilizzo delle pistole sparachiodi è consentito esclusivamente a operatori qualificati.

- I chiodi devono essere conficcati soltanto nella superficie da lavorare e mai in materiali eccessivamente resistenti.
- Per l'acciaio e il calcestruzzo è necessaria una forza verso il basso superiore.
- Durante il funzionamento, è possibile scaricare residui del pezzo da lavorare e del sistema di raccolta.
- Assicurarsi che l'utensile sia sempre puntato in sicurezza sul pezzo da lavorare e che non possa scivolare.



- Gli utensili in modalità "Sparo singolo" non devono essere utilizzati:

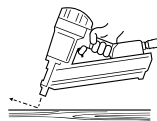
- Nel caso in cui si debba raggiungere un altro punto di fissaggio utilizzando scale di qualsiasi tipo, ponteggi o impalcature.
- Per chiudere scatole o casse.
- Per l'installazione di sistemi di sicurezza per i trasporti.
- Su piattaforme in movimento



- Leggere e comprendere i rischi associati all'azionamento selettivo nella sezione "Utilizzo".

- Non forzare l'utensile. Lasciare che l'utensile faccia il suo lavoro. Utilizzare l'utensile adatto alla propria applicazione. L'utensile adatto farà il lavoro meglio e più rapidamente nei tempi per cui è stato progettato.
- Non spingere eccessivamente
- Stare ben poggianti sui piedi e mantenere sempre l'equilibrio.

- Non conficcare i chiodi su altri chiodi oppure in angoli troppo stretti.
- I chiodi potrebbero deviare e provocare lesioni.



- Si tenga presente che, quando si utilizza l'utensile, è possibile che dopo aver sparato un chiodo, ci sia l'effetto di rinculo. Nel caso in cui la punta rientri involontariamente in contatto con la superficie di lavoro a seguito di un rinculo, verrà sparato un altro chiodo. Pertanto, onde evitare questa situazione, consentire all'utensile di rinculare completamente lontano dalla superficie di lavoro dopo aver conficcato un chiodo. Se non si desidera inserire un secondo chiodo, non spingere la punta sulla superficie di lavoro.

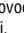


- Tenere l'utensile correttamente e con presa sicura ed essere pronti a reagire gestendo movimenti normali o improvvisi come il rinculo. L'impugnatura dovrebbe essere sicura ma anche adatta a ridurre il rischio di vibrazioni che può causare gravi lesioni.
- Mantenere il corpo in posizione ben equilibrata e tenersi ben saldi sui piedi.
- Fare attenzione con gli utensili pneumatici: quando si raffreddano è possibile perdere la presa dell'utensile e quindi il controllo.

- Non conficcare i chiodi troppo in prossimità del bordo della superficie di lavoro,
- in quanto potrebbero deviare e provocare lesioni.
- Tenere lontane le persone presenti.
- Segnalare chiaramente la zona operativa.

Scollegare l'utensile dal tubo dell'aria prima di effettuare la manutenzione, prima di rimuovere un chiodo incastrato, prima di apportare delle modifiche, prima di lasciare l'area di lavoro, di spostare l'utensile in un altro luogo o di passare l'utensile a un'altra persona.



- Quando è collegato all'alimentazione dell'aria, l'utensile può espellere un chiodo, pertanto,  rimuovere tutti i chiodi dall'utensile prima di attaccare il tubo dell'aria.
- Prestare attenzione in fase di caricamento/scaricamento dei chiodi, poiché sono molto appuntiti.
- Non utilizzare mai l'utensile se la punta, il grilletto o le molle sono diventati inutilizzabili, mancano o sono danneggiati. Non manomettere o rimuovere la punta, il grilletto o le molle.
- Le modifiche possono ridurre l'efficacia delle misure di sicurezza e aumentare i rischi per l'operatore/le persone presenti.
- Non utilizzare l'utensile nel caso in cui sia danneggiato.
- Assicurarsi sempre che tutte le viti e i tappi siano ben stretti. Verificare giornalmente che il grilletto e la punta non siano bloccati. Non usare mai l'utensile in caso di parti mancanti, consumate o danneggiate.
- Utilizzare sempre il secondo manico (se in dotazione)
- Utilizzare esclusivamente ricambi, chiodi, lubrificanti e accessori consigliati o venduti da SENCO. Non apportare modifiche all'utensile senza il consenso di SENCO.

- Utilizzare esclusivamente aria compressa pulita, asciutta e regolata alla pressione consigliata.
- Chiudere sempre l'alimentazione dell'aria e scollegare l'utensile quando non lo si utilizza.

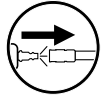
- Le chiodatrici non devono essere collegate a una pressione potenzialmente in grado di superare del 10% la massima pressione di esercizio.
- Non superare la massima pressione di esercizio Ps max.

Le sprachiodi contrassegnate da un triangolo al contrario non possono essere utilizzate salvo il caso in cui dotate di un'ottima punta.



- Gli utensili senza punta possono sparare inavvertitamente, provocando lesioni.
- I trespoli per l'installazione degli utensili su un supporto devono essere progettati e costruiti dal produttore del trespolo in modo che l'utensile possa essere fissato in sicurezza allo stesso e utilizzato per lo scopo previsto.

- L'utensile e il tubo dell'aria devono avere un nipplo di collegamento che consenta, una volta scollegato il giunto di accoppiamento, di eliminare tutta la pressione.
- L'aria compressa può provocare gravi lesioni.
- Scollegare sempre l'utensile dall'alimentazione dell'aria compressa prima di cambiare gli accessori, apportare modifiche e/o fare riparazioni o quando ci si sposta da un'area di lavoro a un'altra.
- Non dirigere mai l'aria compressa verso se stessi o chiunque altro.
- Un tubo che sbatte può provocare lesioni gravi - controllare sempre che il tubo non sia danneggiato o staccato.



- Non caricare mai chiodi nell'utensile se il grilletto o la punta sono premiti.
- Non utilizzare l'utensile in assenza dell'etichetta di pericolo. Se l'etichetta manca, è danneggiata o è illeggibile, contattare il proprio rappresentante SENCO per richiedere una nuova etichetta.



- Non utilizzare mai una pistola che perde aria o che ha bisogno di essere riparata.
- Non utilizzare se l'utensile è danneggiato.
- Non portare o trascinare mai un utensile pneumatico dal tubo.

- Non effettuare alcuna "riparazione d'urgenza" senza attrezzi e strumenti adatti.
- Prima dell'utilizzo verificare sempre che l'utensile non abbia parti rotte, mal collegate, scollegate o usurate.





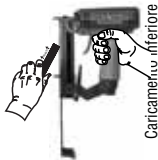

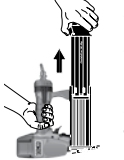

Prima di apportare qualsiasi modifica all'utensile occorre ottenere il consenso scritto del fabbricante.

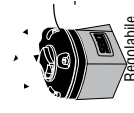
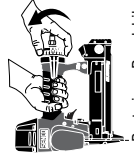
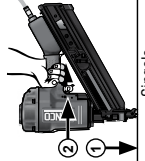
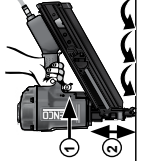

- Tenere le mani e altre parti del corpo lontane dalla zona indicata nel cerchio per evitare infortuni durante il funzionamento.
- Tenere le dita lontane dal grilletto quando non si vuole azionare l'utensile e quando ci si sposta da una posizione a un'altra.



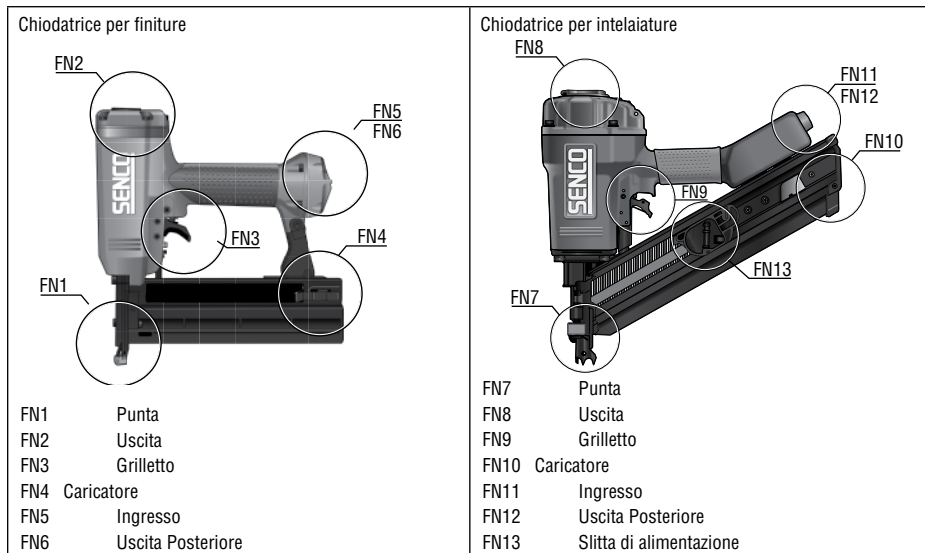
Utensile	Caricare	Scaricare	Uscita	Tipo grilletto	Profondità di regolazione della punta	Rimozione inceppamento	Elemento di sicurezza	Lubrificante			
SN90CXP	Caricamento posteriore (A1)	Rilasciare la slitta di alimentazione e farla scorrere in avanti (B1)	Regolabile (C1)	Bottom fire (a contatto) (D2)	Regolabile	Attraverso caricatore	Elemento di sicurezza	Richiesto			
SN90FXP				Singolo Sequenziale (D1)							
FramePro601			Anteriore	Bottom fire (a contatto) (D2)	Regolabile	Attraverso caricatore	Elemento di sicurezza	Richiesto			
FramePro651			Regolabile (C1)	Singolo Sequenziale							
SN1602			Anteriore	Frontale- Aspiratore integrato con tasto a pressione	Selezioneabile	Nessuna	Sportello EZ-Clear (F1)	Richiesto			
SN1302			Regolabile (C1)	Regolabile (C1)	Singolo Sequenziale (D1)						
S900FN			Caricamento posteriore (A2)	Spingere la serratura e aprire il binario facendolo scorrere (B2)	Regolabile (C1)	Selezioneabile	Nessuna	Attraverso caricatore	Elemento di sicurezza	Oil Free	
SidingPro40					Regolabile (C1)	Singolo Sequenziale					
FinishPro42XP					Regolabile- Aspiratore integrato con tasto a pressione	Regolabile (C1)	Selezioneabile	Nessuna	Attraverso caricatore	Richiesto	
FinishPro16XP					Regolabile (C1)	Regolabile (C1)	Singolo Sequenziale (D1)				
FinishPro30XP	Caricamento laterale (A3)	Spingere la serratura e aprire il binario facendolo scorrere (B3)			Regolabile (C1)	Selezioneabile	Regolabile	Cancello EZ-Clear Gate (F1)	Richiesto		
S250FN					Regolabile (C1)	Singolo Sequenziale (D1)					
FinishPro35Mg					Regolabile- Aspiratore integrato con tasto a pressione	Regolabile (C1)	Selezioneabile	Nessuna	Attraverso caricatore	Oil Free	
SLP20XP					Anteriore	Anteriore	Singolo Sequenziale (D1)				
SLP20XP GLN					Anteriore	Posteriore (C2)	Anteriore	Bottom fire (a contatto) (D2))	Nessuna	Attraverso caricatore	Oil Free
SBN10XP					Posteriore (C2)	Anteriore	Posteriore (C2)	Singolo Sequenziale (D1)			
FinishPro25XP			Caricamento inferiore (A3)	Spingere la serratura e aprire il binario facendolo scorrere (B3)	Anteriore	Bottom fire (a contatto) (D2))	Regolabile	Attraverso caricatore	Nessuna	Oil Free	
FinishPro18Mg					Posteriore (C2)	Anteriore					Singolo Sequenziale (D1)
S200BN					Anteriore	Posteriore (C2)	Anteriore	Bottom fire (a contatto) (D2))	Regolabile	Attraverso caricatore	Richiesto
S200SM					Posteriore (C2)	Anteriore	Singolo Sequenziale (D1)				
FinishPro23SXP	Caricamento inferiore (A3)	Spingere la serratura e aprire il binario facendolo scorrere (B3)			Posteriore (C2)	Singolo Sequenziale (D1)	Nessuna	Attraverso caricatore	Oil Free		
FinishPro23LXP					Posteriore (C2)	Anteriore				Bottom fire (a contatto) (D2))	
FinishPro21LXP					Anteriore	Posteriore (C2)	Anteriore	Singolo Sequenziale (D1)	Nessuna	Attraverso caricatore	Oil Free
FinishPro10					Posteriore (C2)	Anteriore	Singolo Sequenziale (D1)				
LSTXP	Anteriore	Posteriore (C2)			Anteriore	Singolo Sequenziale (D1)	Nessuna	Attraverso caricatore	Nessuna		



N. immagine matrice	Descrizione	Note immagine
A1	 <p>Caricamento posteriore</p>	<p>Non caricare con il grilletto premuto</p> <ol style="list-style-type: none"> <li>1 Collegare l'alimentazione dell'aria</li> <li>2 Inserire la striscia di chiodi - utilizzare esclusivamente chiodi SENCO originali</li> </ol>
A2	 <p>Caricamento laterale</p>	<p>Non caricare con il grilletto premuto</p> <ol style="list-style-type: none"> <li>1 Collegare l'alimentazione dell'aria</li> <li>2 Inserire la striscia di chiodi - utilizzare esclusivamente chiodi SENCO originali</li> </ol>
A3	 <p>Caricamento anteriore</p>	<p>Premere la serratura, far scorrere il binario aperto</p> <p>Inserire la striscia di chiodi all'interno del caricatore con i punti rivolti verso la direzione indicata</p> <p>Non caricare con il grilletto premuto quindi i punti 1 (premere serratura) e 2 (inserire strisce)</p>
B1	 <p>Caricamento posteriore</p>	<ol style="list-style-type: none"> <li>1 Rilasciare la slitta di alimentazione e farla scorrere in avanti.</li> <li>2 Rimuovere i chiodi dall'utensile</li> </ol>
B2	 <p>Caricamento laterale</p>	<p>Spingere la serratura e aprire il binario facendolo scorrere, togliere i chiodi</p>
B3	 <p>Caricamento inferiore</p>	<p>Premere la serratura, far scorrere il binario aperto, togliere i chiodi</p>

N. immagine matrice	Descrizione	Note immagine
C1	 <p>Regolabile</p>	<p>Il deflettore può essere ruotato per modificare la direzione dell'aria di uscita</p>
C2	 <p>Posteriore, Regolabile</p>	<p>Il deflettore può essere ruotato per modificare la direzione dell'aria di uscita</p>
D1	 <p>Singolo</p>	<ol style="list-style-type: none"> <li>1 Premere la punta (elemento di sicurezza) contro la superficie di lavoro.</li> <li>2 Tirando il grilletto, il chiodo viene inserito.</li> </ol>
D2	 <p>Parte inferiore</p>	<ol style="list-style-type: none"> <li>1 Tirare il grilletto.</li> <li>2 Premere lentamente la punta contro la superficie di lavoro e inserire un chiodo.</li> </ol> <p>Ogni volta che si spinge la punta (elemento di sicurezza) contro la superficie di lavoro, si inserisce un chiodo.</p>
F1	 <p>Sportello</p>	<p>Rilasciare la serratura del caricatore E-Z e aprire lo sportello</p>

## ELEMENTI DELL'UTENSILE

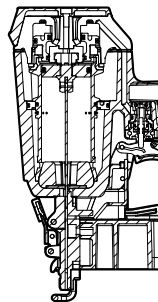


## MANUTENZIONE

### Avvertenza

- Gli interventi di riparazione diversi da quelli descritti nel presente manuale dovrebbero essere eseguiti esclusivamente da personale qualificato ed esperto. Per informazioni contattare SENCO al numero: +31 320 295 575.
  - Prima di eseguire la manutenzione, leggere la sezione intitolata "Avvisi di sicurezza".
  - Utilizzare esclusivamente ricambi specificati dal produttore o da un rappresentante autorizzato.
- 
- Tutte le viti dovrebbero essere ben serrate. Viti lente sono responsabili di un funzionamento non sicuro e della rottura dei componenti.
  - Controllare mensilmente
- 
- Con l'utensile scollegato, controllare quotidianamente che la punta e il grilletto possano muoversi liberamente. Non utilizzare l'utensile se la punta o il grilletto sono incastrati o bloccati.
- 
- Versare olio pneumatico Senco (da 5 a 10 gocce) nell'ingresso dell'aria due volte al giorno (a seconda della frequenza d'uso dell'utensile). Altri oli potrebbero danneggiare le guarnizioni ad anello e altri componenti.
  - Alcuni utensili Senco sono Oil Free e NON NECESSITANO di olio. Controllare l'etichetta.
  - Pulire l'utensile quotidianamente e controllare che non sia usurato. Usare soluzioni detergenti non infiammabili soltanto se necessario.
  - **Non immergere in acqua.**
  - **Attenzione:** queste soluzioni potrebbero danneggiare le guarnizioni ad anello e altri componenti.
  - Smaltire correttamente i materiali utilizzati per la pulizia.

## RISOLUZIONE DEI PROBLEMI



### In caso di inceppamento:

Scollegare l'alimentazione dell'aria

Togliere i chiodi

Rimuovere l'inceppamento

Seguire la procedura di caricamento

<b>1</b>	<p><b>SINTOMO</b> Fuoriuscita di aria vicino alla parte superiore della sparachiodi. / Funzionamento lento</p> <p><b>SOLUZIONE</b> Verificare l'alimentazione dell'aria / serrare le viti o installare il Set di ricambi – Vedere il Manuale dei ricambi</p>
<b>2</b>	<p><b>SINTOMO</b> Perdita d'aria vicino alla parte inferiore della sparachiodi. / Risultato insoddisfacente.</p> <p><b>SOLUZIONE</b> Pulire l'utensile / serrare le viti o installare il Set di ricambi Vedere il Manuale dei ricambi</p>
<b>3</b>	<p><b>SINTOMO</b> Altri problemi.</p> <p><b>SOLUZIONE</b> Contattare SENCO.</p>

## DATI TECNICI

Tipo utensile	Pressione di esercizio minima-massima	Consumo d'aria (60 cicli al minuto) litro	Ingresso aria	Velocità massima (cicli al secondo)	Peso Kg	Capacità chiudi	Dimensioni: Altezza mm	Dimensioni: Lunghezza mm	Dimensioni: Larghezza: Corpo principale mm
<b>Serie XtremePro</b>									
SLP20XP	4,8-8,3 bar	52,7	1/4 in NPT	5	1,0	110	210	241	50
SLP20XP GLN	4,8-8,3 bar	52,7	1/4 in NPT	5	1,0	110	210	241	50
SBN10XP	4,5-7,0 bar	19,0	1/4 in NPT	2	0,96	105	167	255	42
LS1XP	4,8-7,5 bar	23,1	1/4 in NPT	5	1,3	100	197	211	51
FinishPro25XP	4,8-8,3 bar	52,7	1/4 in NPT	5	1,2	110	251	249	56
FinishPro30XP	4,8-8,3 bar	61,0	1/4 in NPT	5	1,73	104	244	305	83
FinishPro42XP	4,8-8,3 bar	133,0	1/4 in NPT	5	2,1	104	292	330	89
SN90CXP	4,8-8,3 bar	283,2	3/8 in NPT	2	3,62	70	337	384	106
SN90FXP	4,8-8,3 bar	283,2	3/8 in NPT	2	3,81	60	337	508	106
FinishPro23SXP	4,8-6,9 bar	31,0	1/4 in NPT	5	1,1	100	192	200	44
FinishPro23LXP	4,8-7,6 bar	31,0	1/4 in NPT	5	1,2	100	226	200	44
FinishPro21LXP	4,8-7,6 bar	31,0	1/4 in NPT	5	1,43	100	226	200	44
<b>Serie Pro</b>									
FinishPro10	4,8-6,5 bar	21,6	1/4 in NPT	2	1,1	110	168	229	44
FinishPro18Mg	4,8-8,3 bar	68,0	1/4 in NPT	5	1,1	110	247	266	64
FinishPro16XP	4,8-8,3 bar	61,2	1/4 in NPT	3	1,9	110	292	308	81
FinishPro35Mg	4,8-8,3 bar	62,0	1/4 in NPT	5	1,9	110	311	330	86
FramePro601	4,8-8,3 bar	283,2	3/8 in NPT	2	3,62	70	337	384	106
FramePro651	4,8-8,3 bar	311,5	3/8 in NPT	2	3,81	70	362	384	106
SidingPro40	4,8-8,3 bar	172,8	3/8 in NPT	4	2,13	70	323	351	86
SN1602	5,5-8,3 bar	255,0	3/8 in NPT	2	6,2	50-56	478	533	144
SN1302	5,5-8,3 bar	297,0	3/8 in NPT	2	7,0	48-56	500	560	140
<b>Serie SemiPro</b>									
S200BN	4,8-8,3 bar	21,6	1/4 in NPT	5	1,4	107	232	251	68
S200SM	4,8-8,3 bar	88,3	1/4 in NPT	5	1,43	85	252	240	68
S250FN	4,8-8,3 bar	128,0	1/4 in NPT	4	2,25	100	303	346	85
S900FN	4,8-8,3 bar	273,8	3/8 in NPT	2	4,2	80	380	500	154

IT

Tipo utensile	Tipo chiodo in mm															
	0,68	0,84	1,2		1,6	1,8	2,3	2,9		3,1		3,3		3,8	4,2	4,6
			A testa normale	A testa sottile				Senza testa	Liscio	Guarnizione	Vite	Liscio	Guarnizione			
SN1602																
SN1302																
SN90CXP								50-90	50-75	50-75	50-90	50-75	50-75	50-90		
SN90FXP								50-90	50-75	50-75	50-90	50-75	50-75	50-90		
FramePro601								50-90	50-75	50-75	50-90	50-75	50-75	50-90		
FramePro651								50-100	50-100	50-100	50-100	50-100	50-100	50-100		
S900FN								50-90	50-75	50-75	50-90	50-75	50-75	50-90		
SidingPro40								45-60	45-60							
FinishPro42XP								32-63								
FinishPro30XP								25-50								
FinishPro35Mg								32-63								
S250FN								32-63								
SLP20XP																
SLP20XP GLN																
FinishPro10																
SBN10XP	12-25															
LST1XP																
FinishPro25XP																
FinishPro18Mg																
S200BN																
FinishPro16XP																
S200SM																
FinishPro23SXP	12-35															
FinishPro23LXP	12-50															
FinishPro21LXP		15-50														

## INFORMAZIONI SULLA RUMOROSITÀ

<b>Informazioni sulla rumorosità</b> in conformità con la norma EN12549	Questi valori sono valori caratteristici dell'utensile e non rappresentano la rumorosità sviluppata nel punto di utilizzo. Anche la progettazione del luogo di lavoro può contribuire a ridurre i livelli di rumorosità, ad esempio posizionando il pezzo da lavorare su supporti che attutiscono i rumori.
<b>Informazioni sulle vibrazioni</b> in conformità con la norma ISO8662-11	Questo valore è un valore caratteristico dipendente dall'utensile e non influisce sul sistema mano-braccio quando si usa la chiodatrice.

Tipò utensile	Livello di pressione sonora (Lpa) dB	Livello di potenza sonora (Lwa) dB	Livello di vibrazione m/s <sup>2</sup>
<b>Serie XtremePro</b>			
SLP20XP	83	89	1,18
SLP20XP GLN	83	89	1,18
SBN10XP	78,6	87,77	1,7
LS1XP	84	89	<2,5
FinishPro25XP	89	94	<2,5
FinishPro30XP	85	98	<2,5
FinishPro42XP	89	94	<2,5
SN90CXP	96	101	4
SN90FXP	96	101	4
FinishPro23SXP	47,8	60,8	1,63
FinishPro23LXP	47,8	60,8	1,63
FinishPro21LXP	47,8	60,8	1,63
<b>Serie Pro</b>			
FinishPro10	81	86	<2,5
FinishPro18Mg	68	78,8	<2,5
FinishPro16XP	93,7	106,7	<2,5
FinishPro35Mg	87,6	93,2	2,9
FramePro601	96	101	3,7
FramePro651	97	101	3,67
SidingPro40	84	97	2,6
SN1602	95,9	132	8,3
SN1302	93	106	4
<b>Serie SemiPro</b>			
S200BN	91	104	<2,5
S200SM	91	104	<2,5
S250FN	91	104	<2,5
S900FN	85	90	2,5

## ACCESSORI

SENCO offre una linea completa di accessori per gli utensili SENCO, tra cui:

- Compressori ad aria
- Tubi
- Accoppiatori
- Raccordi
- Occhiali di protezione
- Manometri
- Lubrificanti
- Regolatori
- Filtri



Per maggiori informazioni o per ricevere un catalogo illustrato degli accessori SENCO, visitare il sito [SENCO.EU](http://SENCO.EU).

IT

## SPIS TREŚCI

Obowiązki pracodawcy.....	103
Opis ogólny.....	103
Ostrzeżenia .....	103
Ostrzeżenia dotyczące bezpieczeństwa.....	104
Używanie narzędzia .....	106
Konserwacja .....	108
Wykrywanie i usuwanie usterek .....	108
Dane techniczne.....	109
Rodzaje gwoździ .....	110
Informacje o hałasie .....	111
Akcesoria.....	111
Deklaracja zgodności .....	132
Ograniczona gwarancja.....	134

### OBOWIĄZKI PRACODAWCY



Pracodawca odpowiada za zapewnienie, aby niniejsza instrukcja została przeczytana i zrozumiana przez cały personel wyznaczony do używania narzędzia. Instrukcję tę należy zachować do użytku w przyszłości. Niezbędne

jest wykonanie oceny ryzyka i wdrożenie odpowiednich środków kontroli w odniesieniu do wszystkich zagrożeń.

#### NIEBEZPIECZEŃSTWA W MIEJSCU PRACY

Stosuje się następujące zasady:

- Poślizgnięcia, potknięcia i upadki są głównymi przyczynami urazów w miejscu pracy. Należy zwrócić uwagę na śliskość powierzchni powodowaną użyciem narzędzia, a także na niebezpieczeństwo potknięcia się powodowane przez przewód powietrza.
- W nieznanym otoczeniu należy postępować z dodatkową ostrożnością. Mogą istnieć ukryte zagrożenia, takie jak przewody elektryczne lub inne instalacje.
- Narzędzie to nie jest przeznaczone do użytku w przestrzeniach zagrożonych wybuchem i nie jest izolowane od wejścia w styczność z energią elektryczną.
- Należy upewnić się, że nie ma żadnych kabli elektrycznych, rur gazowych itd., które mogłyby spowodować zagrożenie w przypadku uszkodzenia wskutek użycia narzędzia.

#### NIEBEZPIECZEŃSTWA ZWIĄZANE Z PYŁEM I SPALINAMI

Jeżeli narzędzie jest używane w miejscu, w którym występuje osiady pyłu, może ono powodować skutkujące niebezpieczeństwem wzniesienie pyłu.

Stosuje się następujące zasady:

- Ocena ryzyka powinna uwzględniać pył powstający wskutek użycia narzędzia oraz możliwość wzniesienia istniejącego pyłu.
- Spaliny należy skierować w taki sposób, aby zminimalizować wzniesienie pyłu w zapyłonym otoczeniu.
- W przypadku stwarzania zagrożeń związanych z pyłem lub spalinami należy przede wszystkim kontrolować je w punkcie emisji.

### OPIS OGÓLNY

- Ręczne narzędzie do wbijania elementów łącznych składające się z pneumatycznej jednostki napędowej, korpusu przewodnicy i magazynu, w którym energia jest przykładana w ruchu liniowym do załadowanego elementu łącznego w celu wbicia elementu łącznego w określone materiały, chyba że stosuje się specjalny element łączny przeznaczony do stosowania w betonie lub stali.
- Wszelkie inne stosowanie jest zabronione.

### OSTRZEŻENIA

Narzędzia z tym symbolem mogą być używane tylko do zastosowań produkcyjnych. Wszelkie inne stosowanie jest zabronione.



- Nie należy opierać palca na spuście podczas podnoszenia narzędzia, poruszania się między obszarami i pozycjami roboczymi lub chodzenia, ponieważ oparcie palca na spuście może doprowadzić do niezamierzonego uruchomienia narzędzia. W przypadku narzędzi z wyzwalaniem selektywnym należy zawsze sprawdzić narzędzie przed użyciem, aby upewnić się, że wybrany został prawidłowy tryb pracy.
- To narzędzie ma albo selektywne wyzwalanie stykowe, albo ciągłe wyzwalanie stykowe za pomocą przełączników wyboru trybu wyzwalania, albo jest narzędziem z wyzwalaniem stykowym lub ciągłym wyzwalaniem stykowym i zostało oznaczone powyższym symbolem. Przeznaczone jest do zastosowań produkcyjnych, takich jak palety, meble, prefabrykaty, tapicerka i poszycia.
- W przypadku stosowania tego narzędzia w trybie selektywnego wyzwalania należy zawsze sprawdzić prawidłowość ustawienia wyzwalania.
- Nie należy używać tego narzędzia do wyzwalania stykowego w zastosowaniach takich, jak zamykanie pudeł lub skrzyń oraz mocowanie transportowych systemów bezpieczeństwa na przyczepach i samochodach ciężarowych.
- Należy zachować ostrożność podczas przechodzenia z jednego miejsca wbijania do drugiego.

PL

## OSTRZEŻENIA DOTYCZĄCE BEZPIECZEŃSTWA

- Należy przeczytać i zrozumieć te ostrzeżenia, aby uniknąć urazów u siebie i osób postronnych. Dodatkowe informacje można znaleźć w częściach dotyczących używania narzędzia, konserwacji oraz wykrywania i usuwania usterek.



- Nieprzestrzeganie ostrzeżeń może skutkować ciężkim urazem.
- Nie wyrzucać.

- Operatorzy i inne osoby znajdujące się w obszarze bocznym muszą nosić odporną na uderzenia ochronę oczu z osłonami bocznymi. Niezastosowanie się do tych zaleceń może skutkować ciężkim urazem. CE — odpowiednik normy EN166



- Należy zawsze stosować inne środki ochrony osobistej, takie jak ochronniki słuchu, rękawice i hełm ochronny.
- Należy nosić wyłącznie rękawice zapewniające odpowiednie czucie i bezpieczne sterowanie pracą spustów i urządzeń regulacyjnych.
- Operatorzy i inne osoby w obszarze bocznym muszą nosić ochronniki słuchu.
- Narażenie na wysokie poziomy hałasu bez ochrony może skutkować trwałą, upośledzającą utratą słuchu i innymi problemami, takimi jak szumy uszne (dzwonienie, brzęczenie, świst lub szum w uszach).
- Odpowiednie środki mające na celu zmniejszenie ryzyka mogą obejmować działania, takie jak zastosowanie materiałów tłumiących, zapobiegających „biciu” obrabianych detali.
- Należy stosować odpowiednią ochronę słuchu.
- Aby zapobiec zbędnemu wzrostowi poziomu hałasu, narzędzie należy obsługiwać i konserwować zgodnie z zaleceniami zawartymi w niniejszej instrukcji.
- Jeżeli narzędzie ma tłumik, należy zawsze upewnić się, że jest on na swoim miejscu i w dobrym stanie technicznym podczas pracy z narzędziem.



- Narażenie na wibracje może skutkować okaleczającym uszkodzeniem nerwów i naczyń krwionośnych dłoni i ramion.
- Podczas pracy w niskich temperaturach należy nosić ciepłą odzież, a dłonie chronić przed zimnem i wilgocią.
- W razie drętwienia, mrowienia, bólu lub blenienia skóry palców lub dłoni należy zwrócić się o poradę dotyczącą ogólnych czynności do wykwalifikowanego specjalisty medycyny pracy.
- Aby zapobiec zbędnemu wzrostowi poziomu drgań, narzędzie należy obsługiwać i konserwować zgodnie z zaleceniami zawartymi w niniejszej instrukcji.
- Narzędzie należy trzymać lekko, ale pewnie, ponieważ ryzyko związane z drganiami zazwyczaj zwiększa się ze wzrostem siły trzymania.

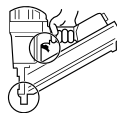


- Podczas obsługi elektronarzędzia należy zachowywać czujność, uważać, co się robi i kierować się zdrowym rozsądkiem. Nie wolno używać narzędzia, będąc zmęczonym ani pod wpływem narkotyków, alkoholu lub leków. Chwila nieuwagi podczas obsługi elektronarzędzi może skutkować ciężkim urazem.

- Należy stosować tylko prawidłowe zasilanie energią w sposób zgodny z zaleceniami.
- Jako źródła zasilania tego narzędzia nie wolno używać tlenu, dwutlenku węgla ani żadnego innego gazu w butlach; narzędzie wybuchnie i spowoduje ciężki uraz.
- Stosowanie tlenu lub gazów palnych w narzędziach pneumatycznych stwarza zagrożenie pożarem lub wybuchem.

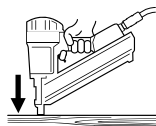


- Gdy nie wbija się elementów złącznych, zawsze należy zdjąć palec ze spustu. Nie wolno nosić narzędzia z palcem na spuście lub pod spustem. Wskutek uderzenia mechanizmu stykowego narzędzie wystrzeli element złączny.
- Pozycja spoczynkowa narzędzia to pozycja na boku, narzędzie odłączone od powietrza.
- Pozycja spoczynkowa obejmuje zdjęcie palca ze spustu i narzędzia pozycjonującego w taki sposób, aby nie wyzwolił mechanizmu stykowego.



- Należy zawsze zakładać, że narzędzie zawiera elementy złączne. Narzędzie należy trzymać skierowane z dala od siebie i innych osób. Żarty są zabronione. Narzędzie należy szanować jako narzędzie robocze.
- Dłonie i nogi należy trzymać z dala od kierunku strzału.
- Narzędzia do wbijania elementów złącznych powinni używać jedynie wykwalifikowani operatorzy.

- Elementy złączne należy wbijać tylko w powierzchnię roboczą; nigdy w materiał zbyt trudne do przeniknięcia.
- W przypadku narzędzi stalowych i betonowych wymagana jest dodatkowa siła docisku.
- Podczas pracy mogą być wyrzucane zanieczyszczenia z obrabianego detalu i systemu złączenia.
- Należy upewnić się, że narzędzie jest zawsze bezpiecznie zamocowane na obrabianym detalu; nie może się ono ślizgać.



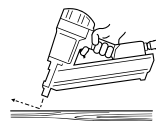
- Narzędzi wyposażonych w „wyzwalanie stykowe” nie wolno używać:
  - Jeśli zmianę lokalizacji wbijania utrudniają schody, drabiny lub rusztowania.
  - Do zamykania pudeł lub skrzyń.
  - Do mocowania transportowych systemów bezpieczeństwa.
  - Ruchołe podesty
- Należy przeczytać część „Używanie narzędzia” i zapoznać się z ryzykiem związanym z selektywnym wyzwalaniem.



- Nie przykładaj siły do narzędzia. Niech narzędzie wykona pracę. Należy użyć narzędzia odpowiedniego do zastosowania. Prawidłowe narzędzie wykona pracę lepiej, bezpieczniej i w tempie, do którego zostało zaprojektowane.

- Nie wychylaj się
- Utrzymywaj przez cały czas odpowiednie podparcie dla stóp i równowagę.

- Nie wbijać elementów złącznych na inne elementy złączne ani pod zbyt dużym kątem nachylenia narzędzia.
- Element złączny może się odbić i spowodować uraz.





- Podczas używania narzędzia należy zachować ostrożność ze względu na możliwość odrzutu narzędzia po wbiściu elementu złącznego. Niezamierzone ponowne zetknięcie mechanizmu stykowego z powierzchnią roboczą po odrzucie skutkuje wbiściem zbędnego elementu złącznego.



W związku z tym, aby tego uniknąć, należy pozwolić na całkowite odrzucenie narzędzia od powierzchni roboczej po wbiściu elementu złącznego. O ile nie jest pożądane wbiście drugiego elementu złącznego, nie należy dociskać mechanizmu stykowego do powierzchni roboczej.

- Narzędzie należy trzymać prawidłowo, mocno i być przygotowanym do przeciwdziałania normalnym lub nagłym ruchom, takim jak odrzut. Chwyty powinny być pewny, ale odpowiedni, aby zmniejszyć ryzyko drgań, które mogą spowodować ciężki uraz.
- Należy utrzymywać równowagę i bezpieczne podparcie dla stóp.
- Należy zachować ostrożność podczas używania narzędzi pneumatycznych, gdyż narzędzie staje się zimne. Może to negatywnie wpłynąć na chwyt i kontrolę.

- Nie wolno wbijać elementów złącznych w pobliżu krawędzi powierzchni roboczej.
- Element złączny może się odbić i spowodować uraz.
- Osoby postronne powinny trzymać się z dala od obszaru roboczego.
- Wyraźnie oznakować obszar roboczy.

- Narzędzie należy odłączyć od dopływu powietrza przed jego konserwacją, usuwaniem zakleszczonych elementów złącznych, regulacjami, opuszczeniem obszaru roboczego, przeniesieniem narzędzia w inne miejsce lub przekazaniem narzędzia innej osobie.



- Narzędzie może wystrzelić element złączny, gdy jest podłączone do źródła powietrza; dlatego należy Ⓛ wyjąć wszystkie elementy złączne z narzędzia przed podłączeniem przewodu powietrza.
- Podczas ładowania/wymowywania elementów złącznych należy zachować ostrożność. Elementy złączne mają ostre końce.

- Nie wolno używać narzędzia, jeśli mechanizm stykowy, spust lub sprężyna nie działają, nie ma ich lub zostały uszkodzone. Nie wolno manipulować mechanizmem stykowym, spustem ani sprężynami, ani też usuwać tych elementów.
- Modyfikacje mogą zmniejszyć skuteczność środków bezpieczeństwa i zwiększyć ryzyko dla operatora/osób postronnych.
- Nie wolno używać uszkodzonego narzędzia.

- Należy upewnić się, że wszystkie śruby i nasadki są zawsze prawidłowo dokręcone. Należy przeprowadzać codzienne kontrole swobody ruchu spustu i mechanizmu stykowego. Nie wolno używać narzędzia, jeśli brakuje części, są one zużyte lub uszkodzone.

- Należy zawsze używać drugiego uchwytu (jeśli go dostarczono)

- Należy używać jedynie części, elementów złącznych, smarów i akcesoriów zalecanych lub sprzedawanych przez SENCO. Nie wolno modyfikować narzędzia bez autoryzacji SENCO.

- Stosować wyłącznie czyste, suche, regulowane sprężone powietrze o zalecanym ciśnieniu.
- Zawsze należy odciąć dopływ powietrza i odłączyć narzędzie, gdy nie jest używane.

- Nie wolno podłączać narzędzi do ciśnienia, które może przekroczyć maksymalne ciśnienie robocze o 10%.
- Nie wolno przekraczać maksymalnego ciśnienia roboczego Ps maks.

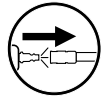
- Narzędzia oznaczone odwróconym trójkątem nie mogą być stosowane, chyba że mają zamontowany skuteczny mechanizm stykowy.



- Narzędzia bez mechanizmu stykowego mogą się uruchomić w niezamierzony sposób i spowodować uraz.

- Stojaki do mocowania narzędzi do podpory muszą być zaprojektowane i skonstruowane przez producenta stojaka w taki sposób, aby narzędzie mogło być bezpiecznie mocowane zgodnie z przeznaczeniem.

- Narzędzie i przewód powietrza muszą być wyposażone w króciec przyłączeniowy zapewniający usunięcie całego ciśnienia z narzędzia podczas odłączania złącza.



- Sprężone powietrze może spowodować ciężki uraz.
- Narzędzie należy zawsze odłączyć od zasilania sprężonym powietrzem przed zmianą akcesoriów, regulacjami i/lub naprawami lub podczas przemieszczania się z miejsca pracy do innego miejsca.
- Nie wolno kierować sprężonego powietrza na siebie ani nikogo innego
- Uderzenie przewodem giętkim może skutkować ciężkim urazem — należy zawsze sprawdzić, czy przewód nie jest uszkodzony lub poluzowany.

- Nie wolno ładować elementów złącznych z wciśniętym spustem lub mechanizmem stykowym.

- Nie wolno używać narzędzia bez etykiety ostrzegawczej. Jeśli etykiety brakuje, jest uszkodzona lub nieczytelna, należy skontaktować się z przedstawicielem SENCO w celu uzyskania nowej etykiety.



- Nie wolno używać narzędzia, z którego ucieka powietrze lub które wymaga naprawy.

- Nie wolno używać uszkodzonego narzędzia.

- Narzędzia pneumatycznego nie wolno przenosić ani przeciągać za jego przewód giętki.

- Nie wolno wykonywać żadnych „napraw w sytuacji nagłej” bez odpowiednich narzędzi i wyposażenia.

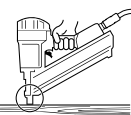
- Przed każdym użyciem narzędzia należy sprawdzić, czy nie ma uszkodzonych, źle podłączonych, poluzowanych lub zużytych części.



Przed wykonaniem jakichkolwiek modyfikacji narzędzia należy uzyskać pisemną zgodę producenta narzędzia.



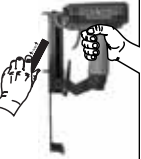

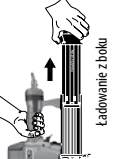

- Aby uniknąć urazu podczas pracy, dłonie i inne części ciała należy trzymać z dala od obszaru wskazanego w okręgu.

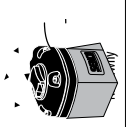

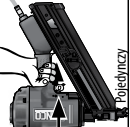
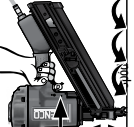
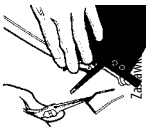
- W razie nieużywania narzędzia oraz podczas przemieszczania się z jednej pozycji roboczej do drugiej należy trzymać palce z dala od spustu.



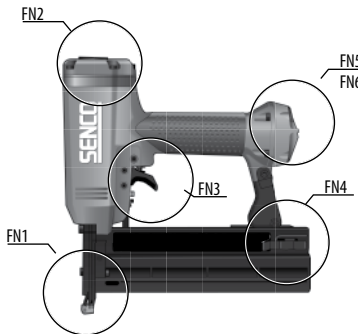
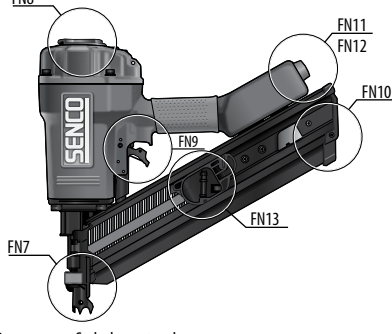
## UŻYWANIE NARZĘDZIA

Narzędzie	Ładowanie	Rozładowanie	Wylot	Rodzaj spustu	Regulacja głębokości wibłania	Oczyszczanie zadki	Element bezpieczeństwa	Smar
SI90CXP			Nastawny (C1)	Wbijanie gwoździ do podłoża (D2)		Przez magazyniek		Wymagany
SI90FXP			Przód	Pojedynczy sekwencyjny (D1)	Nastawny		Element bezpieczeństwa	Bezolejowy
FramePro601		Zwołnit stopkę podajnika i przesunąć do przodu (B1)	Nastawny (C1)	Wbijanie gwoździ do podłoża (D2)				Wymagany
FramePro651			Przód	Pojedynczy sekwencyjny				Bezolejowy
SI1602			Przód	Do wyboru				Wymagany
SI1302			Nastawny (C1)	Pojedynczy sekwencyjny (D1)				Wymagany
S90FFN			Przód	Do wyboru				Bezolejowy
SidingPro40			Nastawny – Zintegrowany przycisk odpylacza powietrza					Wymagany
FinishPro42XP			Przód					Bezolejowy
FinishPro16XP			Przód – Zintegrowany przycisk odpylacza powietrza	Pojedynczy sekwencyjny (D1)				Bezolejowy
FinishPro30XP			Nastawny (C1)					Wymagany
S250FN			Nastawny (C1)					Bezolejowy
FinishPro35Mg			Nastawny – Zintegrowany przycisk odpylacza powietrza					Wymagany
SLP200P			Przód	Do wyboru				Bezolejowy
SLP200P GLN			Przód					Bezolejowy
SBN10XP			Tył (C2)	Pojedynczy sekwencyjny (D1)				Wymagany
FinishPro25XP			Przód					Bezolejowy
FinishPro18Mg			Tył (C2)	Wbijanie gwoździ do podłoża (D2)				Wymagany
S200BN		Otwarta zapadka i prowadnica szlęgowa (B2)	Przód		Nastawny			Wymagany
S200SM								Wymagany
FinishPro235XP			Tył (C2)	Pojedynczy sekwencyjny (D1)				Wymagany
FinishPro23LXP								Wymagany
FinishPro21LXP								Wymagany
FinishPro10		Otwarta zapadka i prowadnica szlęgowa (B3)	Tył (C2)					Wymagany
L51XP			Przód					Bezolejowy

Nr obrazka A1	Opis  Ładowanie od tyłu	Uwagi Nie ładować z wewnętrznym spustem ① Podłączyć zasilanie powietrzem ② Włożyć pasek lub gwóźdź — stosować wyłącznie oryginalne elementy montujące SENCO
A2		Nie ładować z wewnętrznym spustem ① Podłączyć zasilanie powietrzem ② Włożyć pasek lub gwóźdź — stosować wyłącznie oryginalne elementy montujące SENCO
A3		Zapadka wciśnięta. Prowadnica otwarta Umieścić w magazynku pasek elementów złącznych, ustawiając je przodem we wskazanym kierunku. Nie ładować z wewnętrznym spustem następnie punkty 1 (wciśnąć zapadkę) i 2 (umieścić pasek)
B1	 ① od tyłu	① Zwolnić stopkę podajnika i przesuwać do przodu. ② Wyjąć elementy złączne z narzędzia
B2	 Ładowanie z boku	Otworzyć zapadkę i prowadnicę ślizgową, wyjąć elementy złączne
B3	 Ładowanie z boku	Otworzyć zapadkę i prowadnicę ślizgową, wyjąć elementy złączne

Nr obrazka C1	Opis 	Uwagi Deflektor można obracać w celu zmiany kierunku przepływu powietrza wywiewanego
C2	 Tylko nastawiny	Deflektor można obracać w celu zmiany kierunku przepływu powietrza wywiewanego
D1	 Pojędrniczy	① Dociśnąć styk elementu roboczego (element zabezpieczający) do powierzchni roboczej. ② Pociągnąć za spust, a element złączny zostanie uruchomiony.
D2		① Pociągnąć za spust. ② Zaciśnąć element stykowy obrabianego przedmiotu do powierzchni roboczej i uruchomić element złączny. Zawsze kiedy użytkownik wciska styk elementu roboczego (element zabezpieczający) do powierzchni roboczej, element złączny zostaje uruchomiony.
F1		Zwolnić E-Z. Oczyszczyć zatrzaśki i otworzyć drzwiczki.

## ELEMENTY NARZĘDZIA

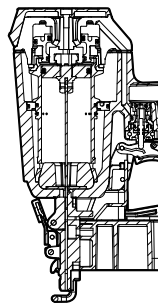
Gwoździarka do wykończenia		Gwoździarka do obramowania	
	FN1 FN2 FN3 FN4 FN5 FN6		FN7 FN8 FN9 FN10 FN11 FN12 FN13
FN1	Styk elementu roboczego	FN7	Styk elementu roboczego
FN2	Wylot	FN8	Wylot
FN3	Spust	FN9	Spust
FN4	Magazynek	FN10	Magazynek
FN5	Włot	FN11	Włot
FN6	Wylot Tył	FN12	Wylot Tył
		FN13	Stopka podajnika

## KONSERWACJA

### Ostrzeżenie

- Naprawy inne niż opisane w tym dokumencie powinny być wykonywane wyłącznie przez przeszkolony, wykwalifikowany personel. W celu uzyskania dalszych informacji należy skontaktować się z SENCO. +31 320 295 575.
- Przed przystąpieniem do prac konserwacyjnych należy przeczytać rozdział „Ostrzeżenia dotyczące bezpieczeństwa”.
- Korzystać wyłącznie z tych części zapasowych, które zostały wskazane przez producenta lub jego upoważnionego przedstawiciela.
- Wszystkie śruby powinny być dokręcone. Niedokręcone śruby mogą sprawić, że obsługa urządzenia będzie niebezpieczna, a jego części mogą zostać uszkodzone.
- Sprawdzać raz w miesiącu
- Przy odłączonym narzędziu należy przeprowadzać codzienne kontrole, aby zapewnić swobodny ruch styku elementu roboczego i spustu. Nie używać narzędzia, jeżeli styk elementu roboczego lub spust są klejące lub zakleszczone.
- Włot powietrza należy dwa razy dziennie nasmarować olejem pneumatycznym Squirt SENCO (5 – 10 kropli) (w zależności od częstotliwości używania narzędzia). Inne oleje mogą zniszczyć o-ringi i inne części narzędzia.
- Niektóre narzędzia SENCO są bezolejowe i NIE smaruje się ich olejem pneumatycznym, należy sprawdzić etykiety.
- Codziennie należy przetrzeć narzędzie i sprawdzić jego zużycie. Stosować niepalne roztwory czyszczące tylko w razie potrzeby.
- Nie namaczać.**
- Ostrzeżenie:** Takie roztwory mogą zniszczyć o-ringi i inne części narzędzia.
- Materiały użyte do czyszczenia należy odpowiednio zutylizować.

## WYKRYWANIE I USUWANIE USTEREK



**Jeżeli gwoździł zakleszczy się w narzędziu, należy:**

- Odłączyć zasilanie powietrzem
- Wyjąć elementy złączone
- Oczyszczyć zakisk
- Postępować zgodnie z procedurą ładowania narzędzia

1	<p><b>OBJAW</b> Wyciek powietrza w pobliżu wierzchu narzędzia / powolne działanie</p> <p><b>ROZWIĄZANIE</b> Sprawdzić źródło powietrza / dokręcić śruby lub zamontować zestaw części – patrz Instrukcja dotycząca części.</p>
2	<p><b>OBJAW</b> Wyciek powietrza w pobliżu spodu narzędzia / słaby powrót.</p> <p><b>ROZWIĄZANIE</b> Wyczyścić narzędzie/ dokręcić śruby lub zamontować zestaw naprawczy (patrz: Instrukcja dotycząca części)</p>
3	<p><b>OBJAW</b> Inne problemy.</p> <p><b>ROZWIĄZANIE</b> Skontaktować się z SENCO.</p>

## DANE TECHNICZNE

Typ narzędzia	Minimalne-maksymalne ciśnienie robocze	Zużycie powietrza (60 cykli na minutę) w litrach	Wlot powietrza	Maksymalna prędkość (cykle na sekundę)	Masa w kg	Pojemność gwoździ	Wymiary narzędzia: Wysokość w mm	Wymiary narzędzia: Długość w mm	Wymiary narzędzia: Szerokość: Korpus główny w mm
<b>Seria XtremePro</b>									
SLP20XP	4,8 – 8,3 bar	52,7	1/4 in. NPT	5	1,0	110	210	241	50
SLP20XP GLN	4,8 – 8,3 bar	52,7	1/4 in. NPT	5	1,0	110	210	241	50
SBN10XP	4,5 – 7,0 bar	19,0	1/4 in. NPT	2	0,96	105	167	255	42
LS1XP	4,8 – 7,5 bar	23,1	1/4 in. NPT	5	1,3	100	197	211	51
FinishPro25XP	4,8 – 8,3 bar	52,7	1/4 in. NPT	5	1,2	110	251	249	56
FinishPro30XP	4,8 – 8,3 bar	61,0	1/4 in. NPT	5	1,73	104	244	305	83
FinishPro42XP	4,8 – 8,3 bar	133,0	1/4 in. NPT	5	2,1	104	292	330	89
SN90CXP	4,8 – 8,3 bar	283,2	3/8 in. NPT	2	3,62	70	337	384	106
SN90FXP	4,8 – 8,3 bar	283,2	3/8 in. NPT	2	3,81	60	337	508	106
FinishPro23SXP	4,8 – 6,9 bar	31,0	1/4 in. NPT	5	1,1	100	192	200	44
FinishPro23LXP	4,8 – 7,6 bar	31,0	1/4 in. NPT	5	1,2	100	226	200	44
FinishPro21LXP	4,8 – 7,6 bar	31,0	1/4 in. NPT	5	1,43	100	226	200	44
<b>Seria Pro</b>									
FinishPro10	4,8 – 6,5 bar	21,6	1/4 in. NPT	2	1,1	110	168	229	44
FinishPro18Mg	4,8 – 8,3 bar	68,0	1/4 in. NPT	5	1,1	110	247	266	64
FinishPro16XP	4,8 – 8,3 bar	61,2	1/4 in. NPT	3	1,9	110	292	308	81
FinishPro35Mg	4,8 – 8,3 bar	62,0	1/4 in. NPT	5	1,9	110	311	330	86
FramePro601	4,8 – 8,3 bar	283,2	3/8 in. NPT	2	3,62	70	337	384	106
FramePro651	4,8 – 8,3 bar	311,5	3/8 in. NPT	2	3,81	70	362	384	106
SidingPro40	4,8 – 8,3 bar	172,8	3/8 in. NPT	4	2,13	70	323	351	86
SN1602	5,5 – 8,3 bar	255,0	3/8 in. NPT	2	6,2	50 – 56	478	533	144
SN1302	5,5 – 8,3 bar	297,0	3/8 in. NPT	2	7,0	48 – 56	500	560	140
<b>Seria SemiPro</b>									
S200BN	4,8 – 8,3 bar	21,6	1/4 in. NPT	5	1,4	107	232	251	68
S200SM	4,8 – 8,3 bar	88,3	1/4 in. NPT	5	1,43	85	252	240	68
S250FN	4,8 – 8,3 bar	128,0	1/4 in. NPT	4	2,25	100	303	346	85
S900FN	4,8 – 8,3 bar	273,8	3/8 in. NPT	2	4,2	80	380	500	154

# RODZAJE GWOŹDZI

Typ narzędzia	Rodzaj gwoźdźcia w mm																		
	0,68	0,84	1,2		1,6	1,8	2,3	2,9			3,1			3,3		3,8	4,2	4,6	
			Łeb średni	Łeb mały				Bez łba	Bezłob- kowy	Pręścień	Śruba	Bezłob- kowy	Pręścień	Śruba	Bezłob- kowy				Pręścień
SIN1602																			
SIN1302																			
SIN90CP																			
SIN80XP																			
FramePro601																			
FramePro651																			
S90DFN																			
SidingPro40																			
FinishPro42XP																			
FinishPro30XP																			
FinishPro35Mg																			
S250PN																			
SLP20XP																			
SLP20WP 6LN																			
FinishPro10																			
SBN100P																			
LS1XP																			
FinishPro25XP																			
FinishPro18Mg																			
S200BN																			
FinishPro16XP																			
S2005M																			
FinishPro235XP																			
FinishPro23LXP																			
FinishPro21LXP																			

## INFORMACJE O HAŁASIE

<b>Informacje o hałasie</b> według EN12549	Wartości te są wartościami charakterystycznymi dla narzędzia i nie odzwierciedlają hałasu powstającego w miejscu użytkowania. Organizacja miejsca pracy może również przyczynić się do redukcji poziomu hałasu, na przykład umieszczanie elementu roboczego na podkładkach dźwiękochłonnych.
<b>Informacje o wibracjach</b> według ISO8662-11	Powyższa wartość jest wartością charakterystyczną dla narzędzia i nie odzwierciedla wpływu na układ dłoń-ramię podczas pracy z narzędziem.

Typ narzędzia	Poziom ciśnienia akustycznego (Lpa) dB	Poziom mocy akustycznej (Lwa) dB	Poziom wibracji m/s <sup>2</sup>
<b>Seria XtremePro</b>			
SLP20XP	83	89	1,18
SLP20XP GLN	83	89	1,18
SBN10XP	78,6	87,77	1,7
LS1XP	84	89	<2,5
FinishPro25XP	89	94	<2,5
FinishPro30XP	85	98	<2,5
FinishPro42XP	89	94	<2,5
SN90CXP	96	101	4
SN90FXP	96	101	4
FinishPro23SXP	47,8	60,8	1,63
FinishPro23LXP	47,8	60,8	1,63
FinishPro21LXP	47,8	60,8	1,63
<b>Seria Pro</b>			
FinishPro10	81	86	<2,5
FinishPro18Mg	68	78,8	<2,5
FinishPro16XP	93.7	106.7	<2,5
FinishPro35Mg	87,6	93,2	2,9
FramePro601	96	101	3,7
FramePro651	97	101	3,67
SidingPro40	84	97	2,6
SN1602	95,9	132	8,3
SN1302	93	106	4
<b>Seria SemiPro</b>			
S200BN	91	104	<2,5
S200SM	91	104	<2,5
S250FN	91	104	<2,5
S900FN	85	90	2,5

## AKCESORIA

Firma SENCO oferuje pełną gamę akcesoriów do narzędzi SENCO, w tym:

- Sprężarki powietrza
- Przewody giętkie
- Złączki rurowe
- Łączniki
- Okulary ochronne
- Zawory ciśnieniowe
- Smary
- Regulatory
- Filtry

Więcej informacji lub kompletny, ilustrowany katalog akcesoriów SENCO można znaleźć na stronie internetowej SENCO.EU.



PL



## СОДЕРЖАНИЕ

Обязанности работодателя.....	113
Общее описание .....	113
Предупреждения.....	113
Предупреждения о технике безопасности .....	114
Использование инструмента.....	116
Техническое обслуживание .....	118
Поиск и устранение неисправностей .....	118
Технические характеристики.....	119
Ассортимент гвоздей .....	120
Данные по шуму.....	121
Принадлежности .....	121
Декларация о соответствии .....	132
Ограниченная гарантия.....	134

### ОБЯЗАННОСТИ РАБОТОДАТЕЛЯ



Работодатель несет ответственность за то, чтобы все сотрудники, задействованные в работе с инструментом, прочитали и поняли данное руководство. Храните данное руководство в доступном месте для использования в будущем. Важнейшее значение имеют оценка рисков и осуществление надлежащего контроля в отношении всех опасностей.

### ПРОИЗВОДСТВЕННЫЕ ОПАСНОСТИ

Применяются следующие положения:

- Покальзывания, спотыкания и падения являются основными причинами производственных травм. Помните о скользких поверхностях, возникающих в результате использования инструмента, а также об опасностях спотыкания, связанных с воздушным шлангом.
- Действуйте с особой осторожностью в незнакомой обстановке. Могут существовать скрытые опасности, такие как электропроводка или другие коммуникационные линии.
- Данный инструмент не предназначен для использования во взрывоопасных зонах и не изолирован от контакта с источником электропитания.
- Убедитесь в отсутствии электрических кабелей, газовых труб и т.д., которые могут создать опасность при повреждении в результате использования инструмента.

### ОПАСНОСТИ, ВЫЗВАННЫЕ ПЫЛЬЮ И ВЫХЛОПНЫМИ ГАЗАМИ

Если инструмент используется в месте, где присутствует статическая пыль, это может привести к ее возгоранию и стать причиной опасности.

Применяются следующие положения:

- Оценка риска должна включать в себя оценку пыли, образованной в результате использования инструмента, и потенциальной возможности возгорания имеющейся пыли.
- Направляйте выхлопные газы таким образом, чтобы свести к минимуму возгорание пыли в запыленной среде.
- При возникновении опасностей, связанных с пылью или выхлопными газами, приоритет отдается контролю в точке выброса.

### ОБЩЕЕ ОПИСАНИЕ

- Ручной силовой гвоздезабивной пистолет состоит из пневматического силового блока, корпуса с направляющими и магазина, в котором энергия подается линейным движением на загруженное крепежное изделие с целью ввода крепежного изделия в определенные материалы, если не используется специальное крепежное изделие, предназначенное для использования в бетоне или стали.
- Любое другое использование запрещено.

### ПРЕДУПРЕЖДЕНИЯ

Инструменты с символом могут использоваться только для производственных целей. Любое другое использование запрещено.

- Запрещается прикасаться пальцем спускового крючка при поднятии инструмента, перемещении между рабочими зонами и положениями или во время ходьбы, поскольку прикосновение пальца к спусковому крючку может привести к его случайному срабатыванию. В случае инструментов с выборочным срабатыванием всегда проверяйте инструмент перед использованием, чтобы убедиться, что выбран правильный режим.
- Данный инструмент имеет либо выборочное срабатывание при контакте, либо непрерывное срабатывание при контакте, задаваемое с помощью переключателей режима срабатывания, или представляет собой инструмент со срабатыванием при контакте или непрерывным контакте и обозначен символом выше. Он предназначен для использования в производстве, например, поддонов, мебели, корпусов, обивки и обшивки.
- При использовании данного инструмента в режиме выборочного срабатывания всегда следите за тем, чтобы у него были установлены правильные настройки срабатывания.
- Запрещается использовать данный инструмент в режиме контактного срабатывания для таких целей, как закрытие коробок или ящиков и установка систем обеспечения безопасности при транспортировке на прицепы и грузовые автомобили.
- Будьте осторожны при переходе с одного места забивки в действие на другое.



RU

## ПРЕДУПРЕЖДЕНИЯ О ТЕХНИКЕ БЕЗОПАСНОСТИ

- Прочтите и примите к сведению данные предупреждения во избежание получения травм как вами, так и посторонними лицами. Дополнительная информация приведена в разделе, посвященном использованию инструмента, техническому обслуживанию и поиску и устранению неисправностей.



- Несоблюдение данных указаний может привести к серьезным травмам.
- Не выбрасывать в мусор.

- Операторы и другие сотрудники, находящиеся в рабочей зоне, должны носить ударопрочные очки с боковыми щитками. Несоблюдение данного требования может привести к серьезным травмам. CE эквивалентен стандарту EN166



- Всегда надевайте другие средства индивидуальной защиты, такие как средства защиты органов слуха, перчатки и каску.
- Носите только те перчатки, которые обеспечивают надежные тактильные ощущения и безопасное управление спусковыми крючками и регулируемыми устройствами.
- Операторы и другие сотрудники, находящиеся в рабочей зоне, должны носить средства защиты органов слуха.
- Незащищенное воздействие высоких уровней шума может привести к постоянной потере слуха, приводящей к инвалидности, и другим проблемам, таким как тиннитус (звон, жужжание, свист или гул в ушах).
- Соответствующие меры контроля для снижения риска могут включать такие действия, как демпфирование материалов для предотвращения «звона» заготовок.
- Используйте соответствующие средства защиты органов слуха.
- Во избежание ненужного повышения уровня шума эксплуатируйте и обслуживайте инструмент в соответствии с рекомендациями данной инструкции.
- Если инструмент оснащен глушителем, всегда следите за тем, чтобы он был установлен и находился в хорошем рабочем состоянии во время эксплуатации инструмента.



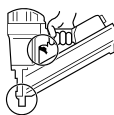
- Воздействие вибрации может привести к повреждению нервов и нарушению кровоснабжения рук и кистей рук.
- При работе в холодных условиях носите теплую одежду, держите руки в тепле и сухих условиях.
- Если вы испытываете онемение, покалывание, боль или обесцвечивание кожи пальцев или кистей рук, обратитесь за медицинской помощью к квалифицированному специалисту по гигиене труда в отношении общей деятельности.
- Во избежание ненужного повышения уровня вибрации эксплуатируйте и обслуживайте инструмент в соответствии с рекомендациями данной инструкции.
- Удерживайте инструмент легким, но надежным хватом, поскольку угроза от вибрации обычно выше, когда усилие хвата больше.
- Будьте внимательны, следите за своими действиями и действуйте в соответствии со здравым смыслом при работе с силовым инструментом. Не используйте инструмент в состоянии усталости или под воздействием наркотиков, алкоголя или медикаментов. Момент невнимательности при эксплуатации силовых инструментов может привести к серьезным травмам.



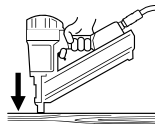
- Используйте только правильное энергоснабжение в соответствии с указаниями.
- Запрещается использовать кислород, углекислый газ или любой другой баллонный газ в качестве источника питания для данного инструмента; инструмент взорвется и причинит серьезную травму.
- Использование кислорода или горючих газов для пневматических инструментов создает опасность пожара или взрыва.



- Всегда убирайте палец со спускового крючка, когда не забиваете крепежные изделия. Никогда не носите инструмент, держа палец на спусковом крючке или под ним. При ударе о наконечник инструмент забивает крепежное изделие.
- Когда инструмент не используется, он должен лежать на боку, отключенным от подачи воздуха.
- Положение покоя предполагает снятие пальца со спускового крючка и расположение инструмента таким образом, чтобы наконечник не приводился в действие.
- Всегда относитесь к инструменту, как к заряженному крепежными изделиями. Не направляйте инструмент на себя и других людей. Инструмент не является игрушкой. Относитесь к инструменту, как к орудию труда.
- Не приближайте руки и ноги к траектории выстрела.
- Гвоздезабивными инструментами должны пользоваться только квалифицированные операторы.



- Забивайте крепежные изделия только в рабочую поверхность; никогда не забивайте их в материалы, которые являются слишком твердыми для крепежных изделий.
- Для стальных и бетонных инструментов требуется дополнительная прижимная сила.
- Во время работы возможен выброс мусора из наконечника и системы сортировки.
- Убедитесь, что инструмент всегда надежно закреплен на заготовке и не скользит.

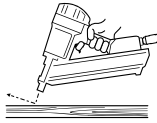


- Запрещается использовать инструменты, имеющие функцию «Контактное сбавывание»:
  - если изменение мест забивки осуществляется с использованием маршевых лестниц, приставных лестниц или строительных лесов;
  - для закрытия коробок или ящиков;
  - для монтажа систем обеспечения безопасности при транспортировке;
  - на передвижных платформах.
- Ознакомьтесь и поймите риски, связанные с выборочным сбавыванием в разделе «Использование инструмента».



- Не применяйте к инструменту силу. Позвольте инструменту сделать свою работу. Используйте подходящий инструмент для вашей области применения. Подходящий инструмент выполнит свою работу лучше и безопаснее с той скоростью, для которой он был разработан.
- Не переусердствуйте.
- Всегда сохраняйте правильную опору и равновесие.

- Не вводите крепежные изделия поверх других крепежных изделий или с использованием инструмента под слишком крутыми углами.
- Крепежное изделие может отклониться и вызвать травму.



- При использовании инструмента следует соблюдать осторожность, поскольку возможна отдача инструмента после забивки крепежного изделия. Если случайно допускается повторное соприкосновение наконечника с рабочей поверхностью после отдачи, происходит нежелательная забивка крепежного изделия. Поэтому для предотвращения таких ситуаций позволяйте отдаче полностью отвести инструмент от рабочей поверхности после забивки крепежного изделия. Не давливайте наконечник в рабочую поверхность, пока не появится необходимость во втором крепежном изделии.



- Держите инструмент правильно, крепко взявшись за него, будьте готовы противодействовать нормальным или внезапным движениям, таким как отдача, и справляться с ними. Захват должен быть надежным, но подходящим для снижения риска вибрации, которая может привести к серьезным травмам.
- Сохраняйте равновесие тела и надежную опору.
- Соблюдайте осторожность при использовании пневматических инструментов, так как инструмент остывает. Это может влиять на хват и управляемость инструментом.

- Не забивайте крепежные изделия вблизи края рабочей поверхности.
- Крепежное изделие может отклониться и вызвать травму.
- Не подпускайте посторонних лиц.
- Четко обозначьте свою рабочую зону.

- Отключите инструмент от подачи воздуха перед выполнением технического обслуживания инструмента, удалением застрявшего крепежного изделия, выполнением регулировок, выходом из рабочей зоны, перемещением инструмента в другое место или передачей его другому лицу.



- Инструмент может выстрелить крепежным изделием при подключении к системе подачи воздуха, поэтому **1** перед подключением воздушного шланга выньте все крепежные изделия из инструмента.
- Будьте осторожны при обращении с крепежными изделиями при загрузке / выгрузке. Крепежные изделия имеют острые концы.

- Запрещается использовать инструмент, если наконечник, спусковой крючок или пружины вышли из строя, отсутствуют или повреждены. Запрещается самостоятельно вносить изменения или снимать наконечник, спусковой крючок или пружины.
- Изменения могут снизить эффективность защитных мер и увеличить риск для оператора / посторонних лиц.
- Запрещается использовать поврежденный инструмент.

- Убедитесь, что все винты и крышки всегда надежно затянуты. Ежедневно выполняйте проверки для обеспечения свободного перемещения спускового крючка и наконечника. Запрещается использовать инструмент, если детали отсутствуют, изношены или повреждены.
- Всегда используйте вторую ручку (если она имеется).

- Используйте только рекомендованные или продаваемые компанией SENCO детали, крепежные изделия, смазки и принадлежности. Запрещается вносить изменения в инструмент без разрешения компании SENCO.

- Используйте только чистый, сухой, регулируемый сжатый воздух при рекомендуемом давлении.
- Всегда отключайте подачу воздуха и отключайте инструмент, когда он не используется.

- Инструменты не должны подключаться к источникам давления, которое потенциально может превышать максимальное рабочее давление на 10 %.
- Не превышайте максимальное рабочее давление P<sub>s</sub> макс.

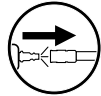
- Инструменты, отмеченные треугольником, нельзя использовать, если они не оснащены эффективным наконечником.



- Инструменты без наконечника могут случайно выстрелить, что может привести к травмам.

- Стенды для крепления инструмента к опоре должны быть спроектированы и изготовлены производителем стенда таким образом, чтобы инструмент можно было надежно закрепить для использования по назначению.

- Инструмент и шланг подачи воздуха должны иметь соединительный ниппель, чтобы при отсоединении муфты давление с инструмента было снято.
- Сжатый воздух может стать причиной тяжелых травм.



- Перед заменой насадок, регулировкой и/или ремонтом, а также при перемещении из рабочей зоны в другую всегда отключайте инструмент от подачи сжатого воздуха.
- Никогда не направляйте сжатый воздух на себя или кого-либо еще.
- Биение шланга может привести к серьезным травмам – всегда проверяйте, не поврежден ли и не ослаблен ли шланг.

- Запрещается загружать крепежные изделия при нажатом спусковом крючке или вдавленном наконечнике.

- Запрещается использовать инструмент без этикетки с обозначением категории риска на инструменте. Если этикетка отсутствует, повреждена или нечитаема, обратитесь к представителю компании SENCO для получения новой этикетки.



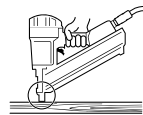
- Запрещается использовать инструмент, имеющий утечки воздуха или требующий ремонта.
- Запрещается использовать инструмент, если он поврежден.
- Запрещается носить или волочить пневматический инструмент за шланг.

- Запрещается выполнять какой-либо «аварийный ремонт» без надлежащих инструментов и оборудования.
- Перед использованием всегда проверяйте инструмент на наличие сломанных, отсоединенных, ослабленных или изношенных деталей.







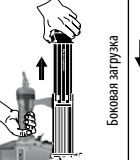

Перед внесением любых изменений в инструмент необходимо получить письменное разрешение производителя инструмента.

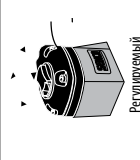

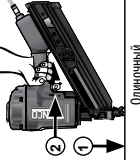
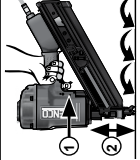

- Держите руки и другие части тела подальше от зоны, обведенной кругом, во избежание возможных травм во время эксплуатации.
- Держите пальцы подальше от спускового крючка, когда вы не работаете с инструментом и перемещаетесь из одного рабочего положения в другое.



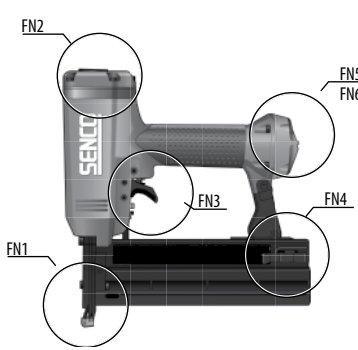
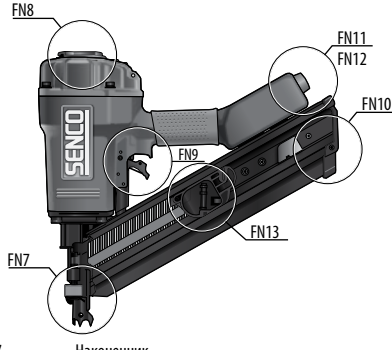
# ИСПОЛЬЗОВАНИЕ ИНСТРУМЕНТА

Инструмент	Загрузка	Разгрузка	Выпуск	Тип спускового крючка	Глубина регулировки забивки	Удаление помех	Защитный элемент	Смазка
SN90CXP			Регулируемый (C1)	Нижний пуск (D2)		Через магазин		Требуется
SN90FXP			Передний	Однокнопочный, последовательный (D1)	Регулируемый			Безмасляный
FramePro601			Регулируемый (C1)	Нижний пуск (D2)				Требуется
FramePro651			Передний	Однокнопочный, последовательный				Безмасляный
SM1602			Регулируемый (C1)	Нижний пуск (D2)				Требуется
SM1302			Передний	Однокнопочный, последовательный				Безмасляный
S900FN		Разблокируйте поток подавателя и сдвиньте его вперед (B1)	Передний	Выбираемый		ЕЗ – разблокировать затвор (F1)	Защитный элемент	Требуется
SlidingPro40	Задняя загрузка (A1)		Переднее встроенное в кнопку устройство обдува воздухом	Однокнопочный, последовательный (D1)				Требуется
FinishPro42XP			Регулируемый (C1)	Выбираемый				Безмасляный
FinishPro16XP			Регулируемое встроенное в кнопку устройство обдува воздухом	Выбираемый				Требуется
FinishPro30XP			Передний	Однокнопочный, последовательный (D1)				Безмасляный
S250FN			Передний	Нижний пуск (D2)	Регулируемый	Через магазин		Требуется
FinishPro35Mg			Регулируемое встроенное в кнопку устройство обдува воздухом	Однокнопочный, последовательный (D1)				Безмасляный
SLP 20XP			Передний	Нижний пуск (D2)				Требуется
SLP 20XP GLN			Передний	Однокнопочный, последовательный (D1)				Безмасляный
SBN10XP			Задний (C2)	Нижний пуск (D2)				Требуется
FinishPro25XP			Передний	Однокнопочный, последовательный (D1)				Безмасляный
FinishPro18Mg			Задний (C2)	Нижний пуск (D2)				Требуется
S200BN	Большая загрузка (A2)	Нажмите защелку и сдвиньте рейку в открытое положение (B2)	Передний	Однокнопочный, последовательный (D1)	Регулируемый	ЕЗ – разблокировать затвор (F1)		Требуется
S200SM			Задний (C2)	Однокнопочный, последовательный (D1)				Безмасляный
FinishPro235XP			Передний	Нижний пуск (D2)				Требуется
FinishPro23LXP			Задний (C2)	Однокнопочный, последовательный (D1)				Безмасляный
FinishPro21LXP			Задний (C2)	Однокнопочный, последовательный (D1)			Нет	Безмасляный
FinishPro10	Нижняя загрузка (A3)	Нажмите защелку и сдвиньте рейку в открытое положение (B3)	Передний		Нет	Через магазин	Нет	Безмасляный
LSXP			Передний		Нет			Безмасляный

Номер рисунка модели	Описание	Примечания к изображению
A1	 Задняя загрузка	Запрещается выполнять загрузку при нажатом спусковом крючке. 1 Подсоедините подачу воздуха 2 Вставьте полосу гвоздей — используйте только фирменные крепежные изделия SENCO
A2	 Боковая загрузка	Запрещается выполнять загрузку при нажатом спусковом крючке. 1 Подсоедините подачу воздуха 2 Вставьте полосу гвоздей — используйте только фирменные крепежные изделия SENCO
A3	 Нижняя загрузка	Нажмите защелку, сдвиньте планку, чтобы ее открыть. Установите полосу крепежных изделий в магазин острiem в указанном направлении Запрещается выполнять загрузку при нажатом спусковом крючке. затем п. 1 (нажать защелку) и п. 2 (установить полосу)
B1	 Задняя загрузка	1 Разблокируйте лоток подателя и сдвиньте его вперед. 2 Выньте крепежные изделия из инструмента.
B2	 Боковая загрузка	Нажмите защелку и сдвиньте рейку в открытое положение. Выньте крепежные изделия.
B3	 Нижняя загрузка	Нажмите защелку и сдвиньте рейку в открытое положение. Выньте крепежные изделия.

Номер рисунка модели	Описание	Примечания к изображению
C1	 Регулируемый	Отражатель можно прокручивать для изменения направления отработанного воздуха
C2	 Задний, регулируемый	Отражатель можно прокручивать для изменения направления отработанного воздуха
D1	 Однорукий	1 Прижмите наконечник (защитный элемент) к рабочей поверхности. 2 Погните спусковой крючок, осуществляется забивка крепежного изделия.
D2	 Нижний	1 Погните спусковой крючок. 2 Прижмите наконечник к рабочей поверхности и забейте крепежное изделие. При каждом прижатии наконечника (защитный элемент) к рабочей поверхности осуществляется забивка крепежного изделия.
F1	 Запор	Разблокируйте E-Z. Откройте защелку и дверь.

## ЭЛЕМЕНТЫ ИНСТРУМЕНТА

Пистолет для отделки		Пистолет для каркасных работ	
	<p>FN1 Наконечник</p> <p>FN2 Выпускное отверстие</p> <p>FN3 Спусковой крючок</p> <p>FN4 Магазин</p> <p>FN5 Впускное отверстие</p> <p>FN6 Задняя часть выпускного отверстия</p>		<p>FN7 Наконечник</p> <p>FN8 Выпускное отверстие</p> <p>FN9 Спусковой крючок</p> <p>FN10 Магазин</p> <p>FN11 Впускное отверстие</p> <p>FN12 Задняя часть выпускного отверстия</p> <p>FN13 Лоток подателя</p>

## ТЕХНИЧЕСКОЕ ОБСЛУЖИВАНИЕ

### Предупреждение

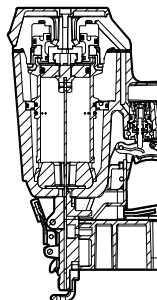
- Ремонтные работы, отличные от описанных в настоящем документе, должны выполняться только обученным, квалифицированным персоналом. Для получения информации обратитесь в компанию SENCO по тел.: +31 320 295 575.
- Прежде чем приступить к техническому обслуживанию инструмента, прочтите раздел под названием «Предупреждения о технике безопасности».
- Используйте только те запасные части, которые указаны производителем или уполномоченным представителем.
- Все винты должны быть туго затянуты. Незатянутые винты могут стать причиной небезопасной эксплуатации и поломки деталей.
- Ежемесячная проверка

- Когда инструмент отключен, выполняйте ежедневную проверку свободного движения наконечника и спускового крючка. Запрещается использовать инструмент, если наконечник или спусковой крючок заедает или туго двигается.

- Впрыскивайте пневматическое масло SENCO (от 5 до 10 капель) во впускное отверстие для воздуха дважды в день (в зависимости от частоты применения инструмента). Другие масла могут повредить уплотнительные кольца и прочие детали инструмента.
- Некоторые инструменты компании SENCO являются безмасляными и НЕ требуют масла, см. этикетку.

- Ежедневно вытирайте инструмент насухо и проверяйте его на износ. Используйте негорючие очищающие растворы только в случае необходимости.
- Запрещается погружать инструмент в жидкости.**
- Внимание!** Такие растворы могут повредить уплотнительные кольца и прочие детали инструмента.
- Утилизируйте моющие средства надлежащим образом.

## ПОИСК И УСТРАНЕНИЕ НЕИСПРАВНОСТЕЙ



### В случае заклинивания скобы:

- Отключите подачу воздуха.
- Выньте крепежные изделия.
- Удалите помеху.
- Выполните процедуру загрузки.

1	<p><b>ПРИЗНАК</b> Утечка воздуха в верхней части инструмента. / Замедленная работа</p> <p><b>РЕШЕНИЕ</b> Проверьте подачу воздуха / затяните винты или установите ремонтный комплект – см. каталог запасных частей.</p>
2	<p><b>ПРИЗНАК</b> Утечка воздуха вблизи нижней части инструмента / Плохая отдача.</p> <p><b>РЕШЕНИЕ</b> Очистите инструмент / затяните винты или установите ремонтный комплект. См. каталог запасных частей.</p>
3	<p><b>ПРИЗНАК</b> Другие проблемы.</p> <p><b>РЕШЕНИЕ</b> Свяжитесь с компанией SENCO.</p>

## ТЕХНИЧЕСКИЕ ХАРАКТЕРИСТИКИ

Тип инструмента	Минимальное и максимальное рабочее давление	Потребление воздуха (60 циклов в минуту), л	Впуск воздуха	Максимальная скорость (циклов в секунду)	Масса, кг	Вместимость гвоздей	Размер инструмента: Высота, мм	Размер инструмента: Длина, мм	Размер инструмента: Ширина: Основной корпус, мм
<b>Серия XtremePro</b>									
SLP20XP	4,8–8,3 бар	52,7	1/4 дюймов NPT	5	1,0	110	210	241	50
SLP20XP GLN	4,8–8,3 бар	52,7	1/4 дюймов NPT	5	1,0	110	210	241	50
SBN10XP	4,5–7,0 бар	19,0	1/4 дюймов NPT	2	0,96	105	167	255	42
LS1XP	4,8–7,5 бар	23,1	1/4 дюймов NPT	5	1,3	100	197	211	51
FinishPro25XP	4,8–8,3 бар	52,7	1/4 дюймов NPT	5	1,2	110	251	249	56
FinishPro30XP	4,8–8,3 бар	61,0	1/4 дюймов NPT	5	1,73	104	244	305	83
FinishPro42XP	4,8–8,3 бар	133,0	1/4 дюймов NPT	5	2,1	104	292	330	89
SN90CXP	4,8–8,3 бар	283,2	3/8 дюймов NPT	2	3,62	70	337	384	106
SN90FXP	4,8–8,3 бар	283,2	3/8 дюймов NPT	2	3,81	60	337	508	106
FinishPro235XP	4,8–6,9 бар	31,0	1/4 дюймов NPT	5	1,1	100	192	200	44
FinishPro23LXP	4,8–7,6 бар	31,0	1/4 дюймов NPT	5	1,2	100	226	200	44
FinishPro21LXP	4,8–7,6 бар	31,0	1/4 дюймов NPT	5	1,43	100	226	200	44
<b>Серия Pro</b>									
FinishPro10	4,8–6,5 бар	21,6	1/4 дюймов NPT	2	1,1	110	168	229	44
FinishPro18Mg	4,8–8,3 бар	68,0	1/4 дюймов NPT	5	1,1	110	247	266	64
FinishPro16XP	4,8–8,3 бар	61,2	1/4 дюймов NPT	3	1,9	110	292	308	81
FinishPro35Mg	4,8–8,3 бар	62,0	1/4 дюймов NPT	5	1,9	110	311	330	86
FramePro601	4,8–8,3 бар	283,2	3/8 дюймов NPT	2	3,62	70	337	384	106
FramePro651	4,8–8,3 бар	311,5	3/8 дюймов NPT	2	3,81	70	362	384	106
SidingPro40	4,8–8,3 бар	172,8	3/8 дюймов NPT	4	2,13	70	323	351	86
SN1602	5,5–8,3 бар	255,0	3/8 дюймов NPT	2	6,2	50–56	478	533	144
SN1302	5,5–8,3 бар	297,0	3/8 дюймов NPT	2	7,0	48–56	500	560	140
<b>Серия SemiPro</b>									
S200BN	4,8–8,3 бар	21,6	1/4 дюймов NPT	5	1,4	107	232	251	68
S200SM	4,8–8,3 бар	88,3	1/4 дюймов NPT	5	1,43	85	252	240	68
S250FN	4,8–8,3 бар	128,0	1/4 дюймов NPT	4	2,25	100	303	346	85
S900FN	4,8–8,3 бар	273,8	3/8 дюймов NPT	2	4,2	80	380	500	154

# АССОРТИМЕНТ ГВОЗДЕЙ

RU

Тип инструмента

Тип гвоздя, мм

Тип инструмента	0,68	0,84	1,2			1,6	1,8	2,3		3,1			3,3			3,8	4,2	4,6
			Станд. шляпка	Мелк. шляпка	Без шляпки			Гладкий	Кольце-вой	Гладкий	Кольцевой	Винтовой	Гладкий	Кольцевой	Винтовой			
SIN1602																		
SIN1302															100-160	100-160	100-160	
SIN90XP															90-130	90-130	90-130	
SIN80XP															50-90	50-90	50-90	
FramePro601															50-90	50-90	50-90	
FramePro651															50-90	50-90	50-90	
S90BN															50-90	50-90	50-90	
SidingPro40								45-60	45-60									
FinishPro42XP							32-63											
FinishPro30XP							25-50											
FinishPro35Mg							32-63											
S250PN							32-63											
SLP20XP																		
SLP20XP 6LN																		
FinishPro10	12-25																	
SBN100P																		
LS1XP																		
FinishPro25XP				16-42														
FinishPro18Mg				16-54														
S200BN				16-50														
FinishPro16XP							32-63											
S2005M							15-50											
FinishPro235XP	12-35																	
FinishPro23LXP	12-50																	
FinishPro21LXP		15-50																



## ДААННЫЕ ПО ШУМУ

<b>Данные по шуму</b> в соответствии с EN12549	Данные значения являются характерными для инструмента и не отражают шума, производимого в месте использования. Конструкция рабочего места также может обеспечивать снижение уровней шума, например, при размещении заготовки на звукоизоляционных опорах.
<b>Данные по вибрации</b> в соответствии с ISO8662-11	Данное значение является характерным для инструмента и не отражает влияния на систему «рука-рычаг» при использовании инструмента.

Тип инструмента	Уровень звукового давления (L <sub>pа</sub> ), дБ	Уровень звуковой мощности (L <sub>pа</sub> ), дБ	Уровень вибрации, м/с <sup>2</sup>
<b>Серия XtremePro</b>			
SLP20XP	83	89	1,18
SLP20XP GLN	83	89	1,18
SBN10XP	78,6	87,77	1,7
LS1XP	84	89	< 2,5
FinishPro25XP	89	94	< 2,5
FinishPro30XP	85	98	< 2,5
FinishPro42XP	89	94	< 2,5
SN90CXP	96	101	4
SN90FXP	96	101	4
FinishPro23SXP	47,8	60,8	1,63
FinishPro23LXP	47,8	60,8	1,63
FinishPro21LXP	47,8	60,8	1,63
<b>Серия Pro</b>			
FinishPro10	81	86	< 2,5
FinishPro18Mg	68	78,8	< 2,5
FinishPro16XP	93,7	106,7	< 2,5
FinishPro35Mg	87,6	93,2	2,9
FramePro601	96	101	3,7
FramePro651	97	101	3,67
SidingPro40	84	97	2,6
SN1602	95,9	132	8,3
SN1302	93	106	4
<b>Серия SemiPro</b>			
S200BN	91	104	< 2,5
S200SM	91	104	< 2,5
S250FN	91	104	< 2,5
S900FN	85	90	2,5

## ПРИНАДЛЕЖНОСТИ

Компания SENCO предлагает полную линейку принадлежностей для ваших инструментов SENCO, включая:

- Воздушные компрессоры
- Шланги
- Муфты
- Фитинги
- Защитные очки
- Манометры
- Смазочные материалы
- Регуляторы
- Фильтры

Для получения более подробной информации или полного иллюстрированного каталога принадлежностей компании SENCO посетите веб-сайт SENCO.EU.





## İÇİNDEKİLER

İşverenin Sorumlulukları .....	123
Genel Tanım .....	123
Uyarılar .....	123
Güvenlik Uyarıları .....	124
Aletin Kullanımı .....	126
Bakım .....	128
Sorun giderme .....	128
Teknik Veriler .....	129
Çivi Aralığı .....	130
Gürültü Bilgileri .....	131
Aksesuarlar .....	131
Uygunluk Beyanı .....	132
Sınırlı Garanti .....	134

### İŞVERENİN SORUMLULUKLARI



Bu kılavuzun aleti kullanmak üzere görevlendirilen tüm personel tarafından okunduğunu ve anlaşıldığını temin etmek işverenin sorumluluğundadır. Bu kılavuzu ileride başvurmak üzere saklayın. Tüm tehlikeler için risk değerlendirmesi yapılması ve uygun kontrollerin gerçekleştirilmesi zorunludur.

### İŞ YERİNDEKİ TEHLİKELER

Aşağıdakilere dikkat edin:

- Kaymalar, takılmalar ve düşmeler, iş yerindeki yaralanmaların en önemli nedenleridir. Alet kullanımının neden olduğu kaygan yüzeylere ve ayrıca hava besleme hortumlarından kaynaklanabilecek takılma tehlikelerine karşı dikkatli olun.
- Bilmediğiniz ortamlarda dikkatli ilerleyin. Elektrik veya başka tesisat hatları gibi gizli tehlikeler olabilir.
- Bu alet, potansiyel olarak patlayıcı atmosferlerde kullanıma yönelik değildir ve elektrik ile temasa karşı yalıtılmamıştır.
- Aletin kullanımı nedeniyle zarar görmesi durumunda bir tehlike oluşturabilecek hiçbir elektrik kablosu, gaz borusu vb. olmadığından emin olun.

### TOZ VE TAHLİYE BORUSU TEHLİKELERİ

Alet statik tozun bulunduğu bir alanda kullanılırsa tozu kaldıracak ve tehlikeye neden olabilir.

Aşağıdakilere dikkat edin:

- Risk değerlendirmesinde aletin kullanımından kaynaklanan toz ve rahatsız edici toz varlığı potansiyeli yer almalıdır.
- Tahliye borusunu, tozlu bir ortamda tozun vereceği rahatsızlığı en aza indirecek şekilde yönlendirin.
- Tozun veya tahliye borusu tehlikelerinin oluştuğu yerlerde öncelik, bunları emisyon noktasında kontrol etmek olmalıdır.

### GENEL TANIM

- Bir pnömomatik güç kaynağından, kılavuz gövdeden ve betonda veya çelikte kullanıma yönelik özel bir çivi kullanılmadıkça çivinin tanımlanan malzemelere çakılması amacıyla enerjinin doğrusal bir hareketle doldurulmuş çiviye uygulandığı hazneden oluşan el tipi havali çivi çakma aleti.
- Başka herhangi bir amaçla kullanımı yasaktır.

### UYARILAR

- Bu sembolle işaretlenen aletler sadece üretim uygulamaları için kullanılabilir. Başka herhangi bir amaçla kullanımı yasaktır.
- Parmanızı tetiğin üzerinde tutmak aletin kazara çalışmasına neden olabileceğinden aleti alırken, çalışma alanları arasında ilerlerken ve pozisyonunuzu değiştirirken veya yürürken parmağınızı tetiğin üzerinde tutmayın. Seçkili çalışma özelliğine sahip aletlerde doğru modun seçtiğinden emin olmak için kullanmadan önce her zaman alet kontrol edin.
  - Bu alet, çalışma modu seçim düğmeleri ayarlanarak temasla çalışma veya sürekli temasla çalışma moduna sahiptir ya da temasla çalışan veya sürekli temasla çalışan bir alettir ve yukarıdaki sembole işaretlenmiştir. Palet, mobilya, prefabrik ev, döşeme ve kaplama gibi üretim uygulamaları için kullanıma yöneliktir.
  - Bu aleti seçkili çalışma modunda kullanıyorsanız her zaman doğru çalışma ayarında olduğundan emin olun.
  - Bu aleti kutuları veya kasaları kapatma ve nakliye emniyet sistemlerini römorkların ve kamyonların üzerine sabitlemek gibi uygulamalar için temasla çalışma modunda kullanmayın.
  - Bir çalışma noktasından diğerine geçerken dikkatli olun.



## GÜVENLİK UYARILARI

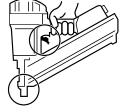
- Kendinizin ve etrafınızdakilerin yaralanmasını önlemek için bu uyarıları okuyun ve anlayın. Ek bilgi için aletin kullanımı, bakımı ve sorun giderme bölümlerine bakın.
- Uyarılara uymamak ağır yaralanmaya neden olabilir.
- Atmayın.
- Operatörler ve çalışma alanındaki diğer kişiler yan siperli darbeye dayanıklı gözlük takmalıdır. Aksi taktirde ağır yaralanma meydana gelebilir. EN166 ile eş değer CE
- Her zaman kulaklık, eldiven ve baret gibi diğer kişisel koruyucu ekipmanları takın.
- Sadece tetiği uygun şekilde hissetmenizi ve güvenli şekilde kontrol etmenizi ve cihazları ayarlamanızı sağlayan eldivenler takın.
- Operatörler ve çalışma alanındaki diğer kişileri koruyucu kulaklık takmalıdır.
- Korumasız bir şekilde yüksek seviyede gürültüye maruz kalmak kalıcı, vazifeyi önleyici işitme kaybına ve kulak çınlaması (kulaklarda çınlama, uğultu, vızıltı veya vınlama) gibi diğer sorunlara neden olabilir.
- Bu riski azaltacak uygun kontroller arasında iş parçalarının "çınlamasını" önleyen sönümleme malzemelerinin kullanımı gibi eylemler yer alabilir.
- Uygun bir kulak koruyucu kullanın.
- Gürültü seviyelerinde gereksiz artışı önlemek için aleti bu talimatlarda önerildiği şekilde kullanın ve bakımını yapın.
- Alet bir susturucuya sahipse alet kullanılırken her zaman yerinde ve iyi durumda olduğundan emin olun.
- Titreşime maruz kalmak, ellerdeki ve kollardaki sinirlerde ve kan akışında vazifeyi önleyici hasara neden olabilir.
- Soğuk koşullarda çalışırken sıcak tutan kıyafetler giyin, ellerinizi sıcak ve kuru tutun.
- Parmaklarınızda veya ellerinizde uyuşma, karıncalanma, ağrı veya ciltte beyazlama hissederseniz iş yerinde genel faaliyetler konusunda uzman bir sağlık personeline başvurun.
- Titreşim seviyelerinde gereksiz artışı önlemek için aleti bu talimatlarda önerildiği şekilde kullanın ve bakımını yapın.
- Kavrama kuvveti ne kadar yüksek olursa titreşim riski de o kadar yüksek olduğundan aleti hafifçe, ama elinizden kaçırılmayacak kadar sıkı tutun.
- Elektrikli bir alet kullanırken tetikte olun, dikkatinizi yaptığınız işe verin ve sağduyulu davranın. Aleti yorgunken veya uyuşturucu, alkol veya ilaç etkisi altında kullanmayın. Elektrikli aletleri kullanırken bir anlık dikkatsizlik, ağır fiziksel yaralanma ile sonuçlanabilir.



- Sadece belirtilen doğru güç kaynağını kullanın
- Bu alet için güç kaynağı olarak hiçbir zaman oksijen, karbondioksit veya başka herhangi bir tüp gaz kullanmayın; alet patlayacak ve ağır yaralanmaya neden olacaktır.
- Pnömatik aletler için oksijen veya yanıcı gazlar kullanmak yangın veya patlama tehlikesi oluşturur.

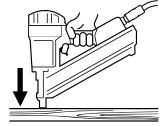


- Çivileri çakmadığınızda parmağınızı her zaman tetikten çekin. Aleti hiçbir zaman parmağınız tetiğin üzerinden veya altından taşımayın. İş parçası kontağının çarpması hâlinde alet, bir çivi fırlatacaktır.
- Alet, hava ile bağlantısı kesilmiş hâlde yan tarafı üzerine dayanmalıdır.
- Dayama pozisyonunda parmağınızı aletten çekilmiş olmalı ve alet, iş parçası kontağının etkinleşmeyeceği bir şekilde yerleştirilmelidir.



- Her zaman aletin içerisinde çivi olduğunu varsayın. Aleti kendinize veya başkalarına doğru tutmayın. Aletle şaka yapmayın. Alete bir çalışma vasıtası olarak itibar edin.
- Ellerinizi ve ayaklarınızı fırlatma yönünden uzak tutun.
- Çivi çakma aletlerini sadece vasıflı operatörler kullanmalıdır.

- Çivileri sadece çalışma yüzeyine çakın; hiçbir zaman delmesi zor malzemelere çakmayın.
- Çelik ve beton için ilave bastırma kuvveti gerekir.
- Çalışma sırasında iş parçasından çıkan artık ve dizme sistemi boşaltılabilir.
- Aletin her zaman iş parçasına güvenle tutturulduğundan ve kaymadığından emin olun.

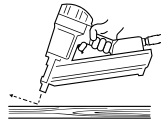


- Aşağıdaki durumlarda "Temasla Çalışma" özelliği ile donatılmış aletler kullanılmamalıdır:
  - Çakma noktaları arasında merdivenler, el merdivenleri veya iskele üzerinden geçiş yapıyorsanız.
  - Kutuları veya kasaları kapatmak için.
  - Nakliye emniyet sistemlerini sabitlemek için.
  - Hareketli platformlarda
- "Aletin Kullanımı" bölümünde seçili çalışma özelliğinin taşıdığı riskleri okuyun ve anlayın.



- Aleti zorlamayın. Aletin işini yapmasına izin verin. Uygulamanız için doğru aleti kullanın. Doğru alet, işi tasarlandığı hızda daha iyi ve daha güvenli şekilde yapacaktır.
- Uzanmayın
- Her zaman yere sağlam ve dengeli bir şekilde basın.

- Çivileri diğer çivilerin üzerine veya aleti çok dar/geniş bir açıda tutarak çakmayın.
- Çivi kayabilir ve yaralanmaya neden olabilir.



- Aleti kullanırken bir çivi çakıldıktan sonra aletin geri tepme ihtimaline karşı dikkatli olunmalıdır. Bir geri tepmeden sonra kazara iş parçası kontağının çalışma yüzeyine tekrar temas etmesine izin verilmesi hâlinde, istenmeyen bir çivi çakılır. Bu nedenle bu durumu önlemek için bir çivi çakıldıktan sonra çalışma yüzeyinden geri tepen aletin tamamen durmasını bekleyin. İkinci bir çivi istenene kadar iş parçası kontağını çalışma yüzeyinin üzerine bastırmayın.



- Aleti sıkı ve doğru şekilde tutun ve geri tepme gibi normal veya ani hareketlere karşı tepki vermek için hazırlıklı olun. Ağır yaralanmaya neden olabilecek titreşim tehlikesini azaltmak için hafif, ama elinizden kaçırılmayacak kadar sıkı tutun.
- Vücut dengeyi koruyun ve yere sağlam basın.
- Alet soğumaya başladığında pnömomatik aletleri kullanırken dikkatli olun. Bu, tutuşunuzu ve kontrolünüzü etkileyebilir.

- Çivileri çalışma yüzeyinin kenarına yakın çakmayın.
- Çivi kayabilir ve yaralanmaya neden olabilir.
- Yakınındaki kişileri uzaklaştırın.
- Çalışma alanınızın sınırlarını açıkça işaretleyin.

- Aletin bakımını yapmadan, sıkıyın bir çivi çikarmadan, ayar yapmadan, çalışma alanını terk etmeden, aleti başka bir yere taşımadan veya aleti başka bir kişiye vermeden önce aletin havayla bağlantısını kesin.



- Alet hava kaynağına bağlıyken çivi fırlatabilir; bu nedenle, ① hava hortumunu takmadan önce tüm çivileri aletten çıkarın.
- Çivileri doldururken/boşaltırken dikkatli olun. Çiviler sivri uçlara sahiptir.

- İş parçası kontağı, tetik veya yaylar çalışmaz hâlde, eksik veya hasarlıysa aleti kesinlikle kullanmayın. İş parçası kontağı, tetik veya yaylarla oynamayın veya çıkarmayın.
- Değişiklik yapmak güvenlik önlemlerinin etkinliğini azaltabilir ve operatör/yakındaki kişiler için riski artırabilir.
- Alet hasar görmüşse kullanmayın.

- Her zaman tüm vidaların ve başlıkların iyice sıkıldığından emin olun. Tetiğin ve iş parçası kontağının serbestçe hareket ettiğini her gün kontrol edin. Parçalar eksikse, aşınmışsa veya zarar görmüşse asla aleti kullanmayın.
- Her zaman (verilmişse) ikinci kulbu kullanın

- Sadece SENCO tarafından önerilen veya satılan parçaları, çivileri, yağları ve aksesuarları kullanın. SENCO'nun izni olmadan alet üzerinde değişiklik yapmayın.

- Sadece önerilen basınç seviyesinde temiz, kuru, ayarlı basınçlı hava kullanın.
- Kullanılmadığında her zaman hava beslemesini kapatın ve aletin bağlantısını kesin.

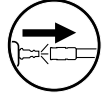
- Aletler, potansiyel olarak maksimum çalışma basıncını %10 aşan basınca bağlanmamalıdır.
- Maksimum çalışma basıncı olan Ps maks'ı aşmayın.

- Ters üçgen ile işaretlenmiş aletler, etkili bir iş parçası kontağı takılmadıkça kullanılamayabilir.
- İş parçası kontağı olmayan aletler kazara ateşleme yaparak yaralanmaya neden olabilir.



- Aletlerin bir destek üzerine monte edilmesi için kullanılan standlar, stand üreticisi tarafından aletin kullanım amacına uygun ve güvenli takılabileceği bir şekilde tasarlanmalı ve imal edilmelidir.

- Alet ve hava besleme hortumu, bağlantı bileziği ayrıldığında alettaki tüm basıncın tahliye edileceği bir bağlantı nipeline sahip olmalıdır.
- Basınçlı hava, ağır yaralanmaya neden olabilir.
- Aksesuarları değiştirmeden, ayar ve/veya onarım yapmadan önce veya bir çalışma alanından diğerine geçerken her zaman aleti basınçlı hava kaynağından ayırın.
- Basınçlı havayı hiçbir zaman kendinize veya başka bir kişiye doğru tutmayın.
- Kırbaç gibi savrulak hortum, ağır yaralanmaya neden olabilir – hasarlı veya gevşek hortuma karşı her zaman kontrol edin.



- Çivileri tetik veya iş parçası kontağı basılı hâlde doldurmayın.

- Üzerinde tehlike etiketi olmayan aleti kullanmayın. Etiket eksikse, hasarlıysa veya okunamaz durumdaysa yeni bir etiket almak için SENCO temsilcinizle iletişime geçin.



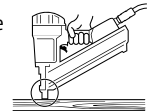
- Hava kaçırın veya onarıma ihtiyacı olan bir aleti hiçbir zaman kullanmayın.
- Alet hasarlıysa kullanmayın.
- Pnömomatik bir aleti hiçbir zaman hortumundan tutarak taşımayın veya sürüklemeyin.

- Uygun aletler ve ekipmanlar olmadan herhangi bir "acil onarım" yapmayın.
- Kullanmadan önce her zaman aleti kırık, yanlış bağlantı, gevşek veya aşınmış parçalara karşı kontrol edin.






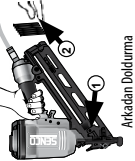
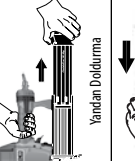

Alet üzerinde herhangi bir değişiklik yapmadan önce alet üreticisinin yazılı onayı alınmalıdır.

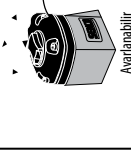

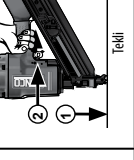
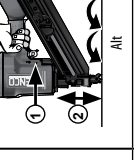
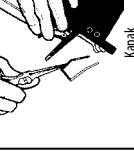
- Çalışma sırasında olası yaralanmaları önlemek için ellerinizi ve diğer uzuvlarınızı daire içerisinde gösterilen alandan uzak tutun.
- Aleti kullanmadığınızda veya bir çalışma pozisyonundan diğerine geçerken parmaklarınızı tetikten çekin.



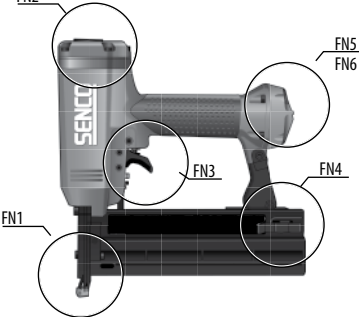
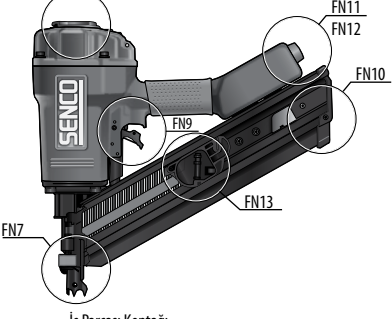
## ALETİN KULLANIMI

Alet	Doldurma	Boşaltma	Egzoz	Tetik Türü	Delme Derinliği Ayan	Sıkıştırma Gösterme	Emniyet elemanı	Yağlama
SIN90CP			Ayarlanabilir (C1)	Altan atış (D2)		Şarjör ile		Gereklili
SIN90FXP			Ön	Tekli Sıralı (D1)	Ayarlanabilir			Yağsız
FramePro601			Ayarlanabilir (C1)	Altan atış (D2)				Gereklili
FramePro651			Ön	Tekli Sıralı				Yağsız
SM1602			Ayarlanabilir (C1)	Seçilebilir				Gereklili
SM1302			Ön	Tekli Sıralı (D1)				Yağsız
S900FN		Beşleyici tabucunu açın ve illeri kaydırın (B1)	Ön- Tuğlu toz temizleyici hava	Seçilebilir		EZ_Clear Kapağı (F1)	Emniyet elemanı	Gereklili
SidingPro40			Ayarlanabilir (C1)	Seçilebilir				Yağsız
FinishPro42XP			Ayarlanabilir (C1)	Seçilebilir				Gereklili
FinishPro 60XP			Ayarlanabilir (C1)	Seçilebilir				Yağsız
FinishPro30XP			Ayarlanabilir (C1)	Seçilebilir				Gereklili
S250FN			Ayarlanabilir (C1)	Seçilebilir				Yağsız
FinishPro35Mg			Ayarlanabilir- Tuğlu toz temizleyici hava	Seçilebilir				Gereklili
SLP200P			Ön	Seçilebilir	Yok			Yağsız
SLP200P GLN			Ön	Tekli Sıralı (D1)	Yok			Yağsız
SBN10XP			Arka (C2)	Tekli Sıralı (D1)	Yok	Şarjör ile		Gereklili
FinishPro25XP			Ön					Yağsız
FinishPro18Mg			Arka (C2)	Altan atış (D2)		EZ_Clear Kapağı (F1)		Gereklili
S200BN			Ön					Yağsız
S2005M			Arka (C2)	Altan atış (D2)				Gereklili
FinishPro235XP			Ön		Ayarlanabilir			Gereklili
FinishPro23LXP			Arka (C2)	Tekli Sıralı (D1)				Yağsız
FinishPro21LXP			Arka (C2)					Gereklili
FinishPro10			Arka (C2)					Yağsız
LSXP			Ön		Yok			Yağsız
	Altan Doldurma (A3)	Mandali bastırın ve eyaı kaydırarak açın (B3)	Arka (C2)				Yok	
			Ön					

Matris Resim no.	Tasvir	Görsel Notları
A1	 Arkaдан Doldurma	Tetik basılıyken doldurmayın ① Hava beslemesini bağlayın ② Çivi geridini takın - sadece orijinal SENCO çivilerini kullanın
A2	 Yanadan Doldurma	Tetik basılıyken doldurmayın ① Hava beslemesini bağlayın ② Çivi geridini takın - sadece orijinal SENCO çivilerini kullanın
A3	 Altтан Doldurma	Mandallı bastırın, rayı kaydırarak açın Çivi geridini, çivilerin uçları gösterilen yöne dönük olacak şekilde şarjörün içine takın Tetik basılıyken doldurmayın sonra uçları takın 1 (mandallı bastırın) ve 2 (şerhleri yerleştirin)
B1	 Arkaдан Doldurma	① Besleyici pabuçunu açın ve ileri kaydırın. ② Çivileri aterken çıkarm
B2	 Yanadan Doldurma	Mandallı bastırın ve rayı kaydırarak açın, çivileri çıkarm
B3	 Altтан Doldurma	Mandallı bastırın ve rayı kaydırarak açın, çivileri çıkarm

Matris Resim no.	Tasvir	Görsel Notları
C1	 Ayarlanabilir	Egzoz havası akışı yönünü değiştirmek için yön değiştiriciyi döndürebilirsiniz
C2	 Arka, Ayarlanabilir	Egzoz havası akışı yönünü değiştirmek için yön değiştiriciyi döndürebilirsiniz
D1	 Tetli	① İş parçası kontaklarını (emniyet elemanı) çalışma yüzeyine bastırın. ② Tetli çekin ve zımba telini çakın.
D2	 Alt	① Tetli çekin. ② İş parçası kontak elemanını çalışma yüzeyinden kaldırın ve bir çivi çakın. İş parçası kontaklarını (emniyet elemanı) çalışma yüzeyine her bastırıldığında bir çivi çakılır.
F1	 Kapak	E-Z Clear mandallı kaldırım ve kapağı açın.

## ALET ELEMANLARI

Kaplama Çivi Tabancası	Çerçeve Çivi Tabancası
 <p>FN1 İş Parçası Kantağı FN2 Egzoz FN3 Tetik FN4 Şarjör FN5 Giriş FN6 Egzoz Arka</p>	 <p>FN7 İş Parçası Kantağı FN8 Egzoz FN9 Tetik FN10 Şarjör FN11 Giriş FN12 Egzoz Arka FN13 Besleyici Pabucu</p>

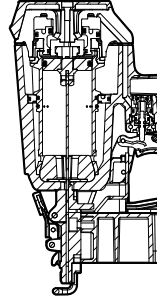
## BAKIM

### Uyarı

- Burada belirtilenlerin dışındaki onarımlar eğitimli, kalifiye kişiler tarafından yapılmalıdır. Bilgi almak için bu numaradan SENCÖ ile irtibat kurun: +31 320 295 575.
- Aletin bakımını yapmadan önce "Güvenlik Uyarıları" bölümünü okuyun.
- Sadece üretici veya yetkili temsilci tarafından belirtilen yedek parçaları kullanın.
- Tüm vidalar sıkı tutulmalıdır. Gevşek vidalar çalışma güvenliğini bozar ve parçaların kırılmasına neden olur.
- Ayda bir kez kontrol edin
- Aletin güç bağlantısı kesikken iş parçası kantağı ve tetiğin serbestçe hareket ettirdiğinden emin olmak için günlük inceleme yapın. İş parçası kantağı veya tetik yapıyorsanız veya takılıyorsa aleti kullanmayın.

- Günde iki kez (aletin kullanım sıklığına bağlı olarak) hava girişine SENCÖ pnömomatik yağı (5 ila 10 damla) sıkın. Diğer yağlar O-halkalarına veya aletin diğer parçalarına zarar verebilir.
- Bazı SENCÖ aletleri Yağsızdır ve yağ GEREKTİRMEZ, etiketi kontrol edin.
- Günde bir kez silerek temizleyin ve aşınma olup olmadığını inceleyin. Sadece gerekli olduğu durumlarda yanıcı olmayan temizlik sıvıları kullanın.
- Suya Batırmayın.**
- Dikkat:** Bu tarz sıvılar O-halkalarına veya aletin diğer parçalarına zarar verebilir.
- Temizlik malzemelerini doğru şekilde tasfiye edin.

## SORUN GİDERME



### Çivinin Sıkışması Hâlinde:

- Hava Beslemesini Kesin
- Bağlantı Elemanlarını Çıkartın
- Sıkışmayı Giderin
- Doldurma yöntemini uygulayın

1	<p><b>BELİRTİ</b> Aletin üst kısmında hava kaçağı / Ağır çalışma</p> <p><b>ÇÖZÜM</b> Hava beslemesini denetleyin / vidaları sıkın veya Onarım Kiti'ni takın – Parça Kılavuzu'na bakın</p>
2	<p><b>BELİRTİ</b> Aletin alt kısmında hava kaçağı / Zayıf geri dönüş.</p> <p><b>ÇÖZÜM</b> Aleti temizleyin / vidaları sıkın veya Onarım Kiti'ni takın – Parça Kılavuzu'na bakın</p>
3	<p><b>BELİRTİ</b> Diğer sorunlar.</p> <p><b>ÇÖZÜM</b> SENCÖ ile iletişime geçin.</p>



## TEKNİK VERİLER

Alet Türü	Minimum/maksimum çalışma basıncı	Hava Tüketimi (Dakikada 60 çevrim) litre	Hava Girişi	Maksimum Hız (Sanayi başına çevrim)	Ağırlık Kg	Çivi Kapasitesi	Alet boyutu: Yükseklik mm	Alet boyutu: Uzunluk mm	Alet boyutu: Genişlik Ana Gövde mm
<b>XtremePro Serisi</b>									
SLP20XP	4,8-8,3 bar	52,7	1/4 inç NPT	5	1,0	110	210	241	50
SLP20XP GLN	4,8-8,3 bar	52,7	1/4 inç NPT	5	1,0	110	210	241	50
SBN10XP	4,5-7,0 bar	19,0	1/4 inç NPT	2	0,96	105	167	255	42
LS1XP	4,8-7,5 bar	23,1	1/4 inç NPT	5	1,3	100	197	211	51
FinishPro25XP	4,8-8,3 bar	52,7	1/4 inç NPT	5	1,2	110	251	249	56
FinishPro30XP	4,8-8,3 bar	61,0	1/4 inç NPT	5	1,73	104	244	305	83
FinishPro42XP	4,8-8,3 bar	133,0	1/4 inç NPT	5	2,1	104	292	330	89
SN90CXP	4,8-8,3 bar	283,2	3/8 inç NPT	2	3,62	70	337	384	106
SN90FXP	4,8-8,3 bar	283,2	3/8 inç NPT	2	3,81	60	337	508	106
FinishPro23SXP	4,8-6,9 bar	31,0	1/4 inç NPT	5	1,1	100	192	200	44
FinishPro23LXP	4,8-7,6 bar	31,0	1/4 inç NPT	5	1,2	100	226	200	44
FinishPro21LXP	4,8-7,6 bar	31,0	1/4 inç NPT	5	1,43	100	226	200	44
<b>Pro Serisi</b>									
FinishPro10	4,8-6,5 bar	21,6	1/4 inç NPT	2	1,1	110	168	229	44
FinishPro18Mg	4,8-8,3 bar	68,0	1/4 inç NPT	5	1,1	110	247	266	64
FinishPro16XP	4,8-8,3 bar	61,2	1/4 inç NPT	3	1,9	110	292	308	81
FinishPro35Mg	4,8-8,3 bar	62,0	1/4 inç NPT	5	1,9	110	311	330	86
FramePro601	4,8-8,3 bar	283,2	3/8 inç NPT	2	3,62	70	337	384	106
FramePro651	4,8-8,3 bar	311,5	3/8 inç NPT	2	3,81	70	362	384	106
SidingPro40	4,8-8,3 bar	172,8	3/8 inç NPT	4	2,13	70	323	351	86
SN1602	5,5-8,3 bar	255,0	3/8 inç NPT	2	6,2	50-56	478	533	144
SN1302	5,5-8,3 bar	297,0	3/8 inç NPT	2	7,0	48-56	500	560	140
<b>SemiPro Serisi</b>									
S200BN	4,8-8,3 bar	21,6	1/4 inç NPT	5	1,4	107	232	251	68
S200SM	4,8-8,3 bar	88,3	1/4 inç NPT	5	1,43	85	252	240	68
S250FN	4,8-8,3 bar	128,0	1/4 inç NPT	4	2,25	100	303	346	85
S900FN	4,8-8,3 bar	273,8	3/8 inç NPT	2	4,2	80	380	500	154

**ÇİVİ ARALIĞI**

**Çivî Türü (mm)**

Alet Türü	0,68	0,84	1,2		1,6	1,8	2,3		2,9		3,1		3,3		3,8	4,2	4,6
			Topuz Başlı	İnce Başlı			Baş- sız	Düz	Halka	Düz	Halka	Vida	Düz	Halka			
SNT1602																	
SNT302																	
SIN90CP									50-90	50-75	50-90	50-75	50-90	50-75	50-90		
SIN90FP								50-90	50-90	50-75	50-90	50-75	50-90	50-75	50-90		
FramePro001								50-90	50-75	50-75	50-90	50-75	50-90	50-75	50-90		
FramePro651								50-100	50-100	50-100	50-100	50-100	50-100	50-100	50-100		
S900FN								50-90	50-75	50-75	50-90	50-75	50-90	50-75	50-90		
SidingPro40							45-60	45-60									
FinishPro42XP						32-63											
FinishPro30XP						25-50											
FinishPro35Mg						32-63											
S250FN						32-63											
SLP20XP				16-42													
SLP20XP GLN				16-42													
FinishPro10		12-25															
SBN10XP				12-25													
LS1XP																	
FinishPro25XP				16-54	16-42												
FinishPro18Mg				16-54													
S200BN				16-50													
FinishPro16XP					32-63												
S200SM					15-50												
FinishPro23XP		12-35															
FinishPro23LXP		12-50															
FinishPro27LXP		15-50															

## GÜRÜLTÜ BİLGİLERİ

### Gürültü Bilgileri

EN12549 uyarınca

Bu değerler, alete ilişkin öz değerlerdir ve aletin kullandığı yerdeki gürültüyü temsil etmezler. İş parçasının sesi azaltan destekler üzerine yerleştirilmesi gibi çalışma yeri tasarımı da gürültü seviyelerini düşürmeye yardımcı olabilir.

### Titreşim Bilgileri

ISO8662-11 uyarınca

Bu değer, alete ilişkin bir öz değerdir ve aletin kullandığı zaman el-kol sistemi üzerindeki etkiyi yansıtmamaktadır.

Alet Türü	Ses basıncı seviyesi (Lpa) dB	Ses gücü seviyesi (Lwa) dB	Titreşim seviyesi m/s2
<b>XtremePro Serisi</b>			
SLP20XP	83	89	1,18
SLP20XP GLN	83	89	1,18
SBN10XP	78,6	87,77	1,7
LS1XP	84	89	<2,5
FinishPro25XP	89	94	<2,5
FinishPro30XP	85	98	<2,5
FinishPro42XP	89	94	<2,5
SN90CXP	96	101	4
SN90FXP	96	101	4
FinishPro23SXP	47,8	60,8	1,63
FinishPro23LXP	47,8	60,8	1,63
FinishPro21LXP	47,8	60,8	1,63
<b>Pro Serisi</b>			
FinishPro10	81	86	<2,5
FinishPro18Mg	68	78,8	<2,5
FinishPro16XP	93.7	106.7	<2,5
FinishPro35Mg	87,6	93,2	2,9
FramePro601	96	101	3,7
FramePro651	97	101	3,67
SidingPro40	84	97	2,6
SN1602	95,9	132	8,3
SN1302	93	106	4
<b>SemiPro Serisi</b>			
S200BN	91	104	<2,5
S200SM	91	104	<2,5
S250FN	91	104	<2,5
S900FN	85	90	2,5

## AKSESUARLAR

SENCO, sahip olduğunuz SENCO aletleri için şu bileşenlerin de yer aldığı eksiksiz bir aksesuar koleksiyonu sunar:

- Hava Kompresörleri
- Hortum
- Birleştiriciler
- Bağlantı Parçaları
- Koruyucu Gözlükler
- Basınç Ölçerler
- Yağlar
- Düzenleyiciler
- Filtreler

Daha fazla bilgi almak veya tüm SENCO aksesuarlarının bulunduğu resimli katalogu incelemek için SENCO.EU adresini ziyaret edin.



# DECLARATION OF CONFORMITY

DECLARATION OF CONFORMITY	KONFORMITÄTSERKLÄRUNG	CONFORMITEITSVERKLARING
<p>Me KYOCERA SENCO Industrial Tools, Inc. of 4270 Ivy Pointe Blvd. Cincinnati, Ohio 45245</p> <p>in accordance with the following directive(s): <b>Machine Directive 2006/42/EC</b></p> <p>declare under our sole responsibility that: Model(s):</p> <p><b>SN90CXP, SN90FXP, FramePro601, FramePro651, SN1602, SN1302, S900FN, SidingPro40, FinishPro42XP, FinishPro16XP, FinishPro30XP, S250FN, FinishPro35Mg, SLP20XP, SLP20XP GLN, SBN10XP, FinishPro25XP, FinishPro18Mg, S200BN, S200SM, FinishPro23SXP, FinishPro23LXP, FinishPro21LXP, FinishPro10, LS1XP</b></p> <p>is in conformity with the applicable essential health and safety requirements of the following documents: <b>2006/42/EC</b> <b>ISO11148-13:2018</b></p> <p>Signed by: Chris Klein Position: Director of Engineering Place of DOC: KYOCERA SENCO Industrial Tools , Inc. 4270 Ivy Pointe Blvd. Cincinnati, Ohio 45245 On Date: October 25, 2019 Authorized Representative:</p> <p>Name: Fred van Gerven Address: KYOCERA SENCO Netherlands B.V. Pascalleaan 88 8218 NJ Lelystad</p>	<p>Wir KYOCERA SENCO Industrial Tools, Inc. von 4270 Ivy Pointe Blvd. Cincinnati, Ohio 45245</p> <p>in Übereinstimmung mit den folgenden Richtlinien: <b>Maskinenrichtlinie 2006/42/EG</b></p> <p>erklären in alleiniger Verantwortung, dass: Modell/Modelle:</p> <p><b>SN90CXP, SN90FXP, FramePro601, FramePro651, SN1602, SN1302, S900FN, SidingPro40, FinishPro42XP, FinishPro16XP, FinishPro30XP, S250FN, FinishPro35Mg, SLP20XP, SLP20XP GLN, SBN10XP, FinishPro25XP, FinishPro18Mg, S200BN, S200SM, FinishPro23SXP, FinishPro23LXP, FinishPro21LXP, FinishPro10, LS1XP</b></p> <p>den geltenden Gesundheits- und Sicherheitsanforderungen entspricht, so wie sie in den folgenden Dokumenten festgehalten werden: <b>2006/42/EC</b> <b>ISO11148-13:2018</b></p> <p>Unterschieden von: Chris Klein Position: Director of Engineering Ort der Erklärung: KYOCERA SENCO Industrial Tools , Inc. Cincinnati, Ohio 45245 Ursprüngliche Herausgabe: 25. Oktober 2019 Autorisierter Repräsentant: (autorisiert, die technische Dokumentation zusammenzustellen)</p> <p>Name: Fred van Gerven Adresse: KYOCERA SENCO Netherlands B.V. Pascalleaan 88 8218 NJ Lelystad</p>	<p>Wij KYOCERA SENCO Industrial Tools, Inc. uit 4270 Ivy Pointe Blvd. Cincinnati, Ohio 45245</p> <p>in overeenstemming met de volgende richtlijn(en): <b>Machinerichtlijn 2006/42/EC</b></p> <p>verklaren onder onze eigen verantwoordelijkheid dat: Model(len):</p> <p><b>SN90CXP, SN90FXP, FramePro601, FramePro651, SN1602, SN1302, S900FN, SidingPro40, FinishPro42XP, FinishPro16XP, FinishPro30XP, S250FN, FinishPro35Mg, SLP20XP, SLP20XP GLN, SBN10XP, FinishPro25XP, FinishPro18Mg, S200BN, S200SM, FinishPro23SXP, FinishPro23LXP, FinishPro21LXP, FinishPro10, LS1XP</b></p> <p>in overeenstemming is met de toepasselijke essentiële gezondheids- en veiligheidsvoorschriften van de volgende documenten: <b>2006/42/EC</b> <b>ISO11148-13:2018</b></p> <p>Ondertekend door: Chris Klein Functie: Engineeringdirecteur Locatie van doc.: KYOCERA SENCO Industrial Tools , Inc. 4270 Ivy Pointe Blvd. Cincinnati, Ohio 45245 Originele uitgave: 25 Oktober 2019 Gebautoriseerde vertegenwoordiger: (gemaaktigd om het technisch dossier samen te stellen)</p> <p>Naam: Fred van Gerven Adres: KYOCERA SENCO Netherlands B.V. Pascalleaan 88 8218 NJ Lelystad</p>
TILIDENHIUKAISUUSVAKUUTUS	ERKLÄRUNG OM SAMSVAR	FÖRSÄKRAN OM ÖVERENSSTÄMMELSE
<p>Me KYOCERA SENCO Industrial Tools, Inc. osittöbeästä 4270 Ivy Pointe Blvd. Cincinnati, Ohio 45245</p> <p>seuraavien direktiivien mukaisesti: <b>Kone-direktiivi 2006/42/EY</b></p> <p>julistammen yksinomaan vastuullamme, että: Malli(t):</p> <p><b>SN90CXP, SN90FXP, FramePro601, FramePro651, SN1602, SN1302, S900FN, SidingPro40, FinishPro42XP, FinishPro16XP, FinishPro30XP, S250FN, FinishPro35Mg, SLP20XP, SLP20XP GLN, SBN10XP, FinishPro25XP, FinishPro18Mg, S200BN, S200SM, FinishPro23SXP, FinishPro23LXP, FinishPro21LXP, FinishPro10, LS1XP</b></p> <p>on seuraavien asiakkaiden soveltuvien olennaisien työsuojeluvälineiden mukainen: <b>2006/42/EC</b> <b>ISO11148-13:2018</b></p> <p>Allekirjoitus: Chris Klein Asema: Koneenrakennusjohtaja Antopaikka: KYOCERA SENCO Industrial Tools , Inc. 4270 Ivy Pointe Blvd. Cincinnati, Ohio 45245 Alkuperäisjulkaisu: 25 Lokakuu 2019 Valtuutettu edustaja: (jolla on teknisen tiedoston koonittu altuudet)</p> <p>Nimi: Fred van Gerven Osoite: KYOCERA SENCO Netherlands B.V. Pascalleaan 88 8218 NJ Lelystad</p>	<p>vi, KYOCERA SENCO Industrial Tools, Inc. med adresse 4270 Ivy Pointe Blvd. Cincinnati, Ohio 45245, USA,</p> <p>erklærer i henhold til følgende direktiv(er): <b>Maskindirektiv 2006/42/EF</b></p> <p>under vårt årnsvarv ansvar: Modell(er):</p> <p><b>SN90CXP, SN90FXP, FramePro601, FramePro651, SN1602, SN1302, S900FN, SidingPro40, FinishPro42XP, FinishPro16XP, FinishPro30XP, S250FN, FinishPro35Mg, SLP20XP, SLP20XP GLN, SBN10XP, FinishPro25XP, FinishPro18Mg, S200BN, S200SM, FinishPro23SXP, FinishPro23LXP, FinishPro21LXP, FinishPro10, LS1XP</b></p> <p>er laget i henhold til gjeldende grunnleggende bestemmelser for helse og sikkerhet i følgende dokumenter: <b>2006/42/EC</b> <b>ISO11148-13:2018</b></p> <p>Underskrevet av: Chris Klein Stilling: teknisk sjef Dokumentets sted: KYOCERA SENCO Industrial Tools , Inc. 4270 Ivy Pointe Blvd. Cincinnati, Ohio 45245, USA Opprinnelig utstedt: 25 Oktober 2019 Autorisert representant: (godkjent for å sette sammen den tekniske filen)</p> <p>Navn: Fred van Gerven Adresse: KYOCERA SENCO Netherlands B.V. Pascalleaan 88 8218 NJ Lelystad</p>	<p>vi, KYOCERA SENCO Industrial Tools, Inc. med adress 4270 Ivy Pointe Blvd. Cincinnati, Ohio 45245</p> <p>Erklærer i enlighet med följande direktiv: <b>Machindirektiv 2006/42/EG</b></p> <p>under vårt eget ansvar att: Modell(er):</p> <p><b>SN90CXP, SN90FXP, FramePro601, FramePro651, SN1602, SN1302, S900FN, SidingPro40, FinishPro42XP, FinishPro16XP, FinishPro30XP, S250FN, FinishPro35Mg, SLP20XP, SLP20XP GLN, SBN10XP, FinishPro25XP, FinishPro18Mg, S200BN, S200SM, FinishPro23SXP, FinishPro23LXP, FinishPro21LXP, FinishPro10, LS1XP</b></p> <p>upplyller gällande hälso- och säkerhetsföreskrifter angivna i följande dokument: <b>2006/42/EC</b> <b>ISO11148-13:2018</b></p> <p>Underskrivet av: Chris Klein Position: Director of Engineering Plats för konformitetsbekräftelsen: KYOCERA SENCO Industrial Tools , Inc. 4270 Ivy Pointe Blvd. Cincinnati, Ohio 45245 Originalt utställt: 25 Oktober 2019 Auktoriserad representant: (auktoriseras att sammanställa det tekniska registret)</p> <p>Naam: Fred van Gerven Adress: KYOCERA SENCO Netherlands B.V. Pascalleaan 88 8218 NJ Lelystad</p>

DÉCLARATION DE CONFORMITÉ	DECLARACIÓN DE CONFORMIDAD	DICHIARAZIONE DI CONFORMITÀ
<p>Nous, KYOCERA SENCO Industrial Tools, Inc.  sis au 4270 Ivy Pointe Blvd.  Cincinnati, Ohio 45245</p> <p>conformément à la (aux) directiv(e)s suivante(s) :  <b>Machine Directive 2006/42/EC</b></p> <p>déclarons, en vertu de notre responsabilité exclusive, ce qui suit:  Modèle(s) :</p> <p><b>SN90CXP, SN90FXP, FramePro601, FramePro651, SN1602, SN1302, S900FN, SidingPro40, FinishPro42XP, FinishPro16XP, FinishPro30XP, S250FN, FinishPro35Mg, SLP20XP, SLP20XP GLN, SBN10XP, FinishPro25XP, FinishPro18Mg, S200BN, S200SM, FinishPro23SXP, FinishPro23LXP, FinishPro21LXP, FinishPro10, LS1XP</b></p> <p>est conforme aux exigences essentielles applicables en matière de santé et de sécurité, telles que stipulées dans les documents ci-dessous :</p> <p><b>2006/42/EC</b>  ISO11148-13:2018</p> <p>Signé par : Chris Klein  Poste : Directeur de l'ingénierie  Lieu du document: KYOCERA SENCO Industrial Tools , Inc.  4270 Ivy Pointe Blvd.  Cincinnati, Ohio 45245</p> <p>Version initiale: 25 Octobre 2019  Représentant autorisé:  (à compiler le fichier technique)  Nom: Fred van Gerven  Adresse: KYOCERA SENCO Netherlands B.V.  Pascallaan 88  8218 NJ Lelystad</p>	<p>Nosotros, KYOCERA SENCO Industrial Tools, Inc.  dirección legal 4270 Ivy Pointe Blvd.  Cincinnati, Ohio 45245</p> <p>y de acuerdo con la(s) directiv(a)s siguiente(s):  <b>Directiva 2006/42/EC sobre máquinas</b></p> <p>declaramos bajo nuestra entera responsabilidad que:  Modelo(s):</p> <p><b>SN90CXP, SN90FXP, FramePro601, FramePro651, SN1602, SN1302, S900FN, SidingPro40, FinishPro42XP, FinishPro16XP, FinishPro30XP, S250FN, FinishPro35Mg, SLP20XP, SLP20XP GLN, SBN10XP, FinishPro25XP, FinishPro18Mg, S200BN, S200SM, FinishPro23SXP, FinishPro23LXP, FinishPro21LXP, FinishPro10, LS1XP</b></p> <p>se ajusta a los requisitos esenciales de salud y seguridad establecidos en los documentos siguientes:</p> <p><b>2006/42/EC</b>  ISO11148-13:2018</p> <p>Firmada por: Chris Klein  Cargo: Director de Ingeniería  Procedencia de los documentos: KYOCERA SENCO Industrial Tools , Inc.  4270 Ivy Pointe Blvd.  Cincinnati, Ohio 45245</p> <p>Emisión original: 25 de Octubre 2019  Representante autorizado:  (autorizado a completar la ficha técnica)  Nombre: Fred van Gerven  Dirección: KYOCERA SENCO Netherlands B.V.  Pascallaan 88  8218 NJ Lelystad</p>	<p>La società KYOCERA SENCO Industrial Tools, Inc.  indirizzo 4270 Ivy Pointe Blvd.  Cincinnati, Ohio 45245</p> <p>conformemente alle seguenti direttive:  <b>Direttiva macchine 2006/42/CE</b></p> <p>dichiara sotto la propria esclusiva responsabilità che:  Modelli:</p> <p><b>SN90CXP, SN90FXP, FramePro601, FramePro651, SN1602, SN1302, S900FN, SidingPro40, FinishPro42XP, FinishPro16XP, FinishPro30XP, S250FN, FinishPro35Mg, SLP20XP, SLP20XP GLN, SBN10XP, FinishPro25XP, FinishPro18Mg, S200BN, S200SM, FinishPro23SXP, FinishPro23LXP, FinishPro21LXP, FinishPro10, LS1XP</b></p> <p>è conforme ai requisiti essenziali di salute e sicurezza previsti dai seguenti documenti:</p> <p><b>2006/42/EC</b>  ISO11148-13:2018</p> <p>Firmato: Chris Klein  Posizione: Responsabile di progettazione  Luogo di emissione: KYOCERA SENCO Industrial Tools, Inc.  4270 Ivy Pointe Blvd.  Cincinnati, Ohio 45245</p> <p>Edizione originale: 25 Ottobre 2019  Rappresentante autorizzato:  (autorizzato alla compilazione del rapporto tecnico)  Nome: Fred van Gerven  Indirizzo: KYOCERA SENCO Netherlands B.V.  Pascallaan 88  8218 NJ Lelystad</p>
<p><b>OVERENSSTEMMELSES DEKLARATIONEN</b></p>	<p><b>DEKLARACJA ZGODNOŚCI</b></p>	
<p>Vi, KYOCERA SENCO Industrial Tools, Inc.  på 4270 Ivy Pointe Blvd.  Cincinnati, Ohio 45245, USA</p> <p>i overensstemmelse med følgende direktiv (er):  <b>Maskindirektiv 2006/42/EF</b></p> <p>erklærer under eget ansvar, at:  Model(ler):</p> <p><b>SN90CXP, SN90FXP, FramePro601, FramePro651, SN1602, SN1302, S900FN, SidingPro40, FinishPro42XP, FinishPro16XP, FinishPro30XP, S250FN, FinishPro35Mg, SLP20XP, SLP20XP GLN, SBN10XP, FinishPro25XP, FinishPro18Mg, S200BN, S200SM, FinishPro23SXP, FinishPro23LXP, FinishPro21LXP, FinishPro10, LS1XP</b></p> <p>er i overensstemmelse med de gældende, obligatoriske sundheds- og sikkerhedskrav i følgende dokumenter:  <b>2006/42/EC</b>  ISO11148-13:2018</p> <p>Underskrevet af: Chris Klein  Stilling: Teknisk direktør  Stedet for DOC: KYOCERA SENCO Industrial Tools , Inc.  4270 Ivy Pointe Blvd.  Cincinnati, Ohio 45245, USA</p> <p>Original udgave: 25 Oktober, 2019  Autoriseret repræsentant:  (autoriseret til at udføre den tekniske fil)  Navn: Fred van Gerven  Adresse: KYOCERA SENCO Netherlands B.V.  Pascallaan 88  8218 NJ Lelystad</p>	<p>My KYOCERA SENCO Industrial Tools, Inc.  Z siedzibą w 4270 Ivy Pointe Blvd.  Cincinnati, Ohio 45245</p> <p>w zgodzie z następującymi dyrektywami:  <b>Dyrektywa Maszynowa 2006/42/EC</b></p> <p>deklarujemy z pełną odpowiedzialnością, że  Model:</p> <p><b>SN90CXP, SN90FXP, FramePro601, FramePro651, SN1602, SN1302, S900FN, SidingPro40, FinishPro42XP, FinishPro16XP, FinishPro30XP, S250FN, FinishPro35Mg, SLP20XP, SLP20XP GLN, SBN10XP, FinishPro25XP, FinishPro18Mg, S200BN, S200SM, FinishPro23SXP, FinishPro23LXP, FinishPro21LXP, FinishPro10, LS1XP</b></p> <p>są zgodne z normami bezpieczeństwa zawartymi w następujących dokumentach:  <b>2006/42/EC</b>  EN792-13:2000+A1:2008</p> <p>Podpisano: Chris Klein  Stanowisko: Dyrektor inżynierii  Polożenie dokumentu: KYOCERA SENCO Industrial Tools, Inc.  4270 Ivy Pointe Blvd.  Cincinnati, Ohio 45245</p> <p>Data: 25 październik 2019  Autoryzowany przedstawiciel:  (autoryzowany do pisania danych technicznych)  Nazwisko: Fred van Gerven  Adres: KYOCERA SENCO Netherlands B.V.  Pascallaan 88  8218 NJ Lelystad</p>	

## 1. Senco Professional End User Warranty Policy

Considering the following constraints Senco underwrites the reliability and the quality of its supplied authorised Senco branded products.

- 1.1 Senco warrants to the end user that the following products will be free from defects in construction, assembly and material for the warranty period specified below.

Product	Warranty period
Senco ® XP Series-Red Cap, pneumatic tools	Five years
Senco ® XP Series-Black Cap, pneumatic tools	Two years
Senco Pro Series, pneumatic tools	One year
Senco Semi-Pro Series, pneumatic tools	One year
Senco DuraSpin ® Series, electric and battery tools	One year
Senco Cordless battery tools	Two years
Senco batteries and chargers for tools	One year
Senco gas tools	Two years
Senco Reconditioned Products	One year
Senco other tools	One year
Senco Compressors	One year

- 1.2 The warranty period starts on the day the end user purchases the product and/or 1 year after the tool has been deleted from the product line, whichever date comes first.
- 1.3 To claim warranty the end user needs to send the defective products or their parts, including the serial number and the original and dated sales receipt or proof of purchase from the original retailer or dealer, freight prepaid to the original retailer or dealer.
- 1.4 Senco is not obliged to do any repairs or replacements on any products or their parts on site.
- 1.5 During the warranty period Senco or its distributors will repair or replace defective products or their parts, exclusively or mainly as a result of an imperfection in construction, assembly or material, at Senco's option and expense, subject to the constraints of this warranty policy.
- 1.6 The repair or replacement of products or their parts under warranty, does in no case lead to prolongation of the warranty period. For every replacement product or part, the remaining original warranty period of the replaced product or part is applicable.
- 1.7 Senco will become the owner of the products or parts that have been replaced by Senco or its distributors as a result of being compliant to Senco's warranty, without being obligated any compensation in this matter.
- 1.8 Excluded from the warranty are:
- normal wear and tear parts, for example rubber o-rings, seals, driver blades, piston stops, piston/driver assemblies, isolators, drive belts, air filters and fuel systems, bits;
  - any imperfection that is a result of or has evolved from the fact that there has not been used clean, dry regulated compressed air and/or the air pressure applied has exceeded the maximum indicated on the tool casting (pneumatic tools);
  - any imperfection that is a result of or has evolved from normal wear, misapplication, abuse/misuse, improper modifications or storage, shipping/transport, accidents, neglect, operation at other than recommended speeds or voltage (electric units only);
  - any imperfection that is a result of or has evolved from explosions, fires and natural disasters, like hurricanes, floods and earthquakes;
  - Any imperfection that is a result of or has evolved from not following operating instructions, specifications and / or maintenance schedules. Read the Operator Manual for use, specifications and maintenance instructions;
  - Any imperfection that is caused by repairs, modifications to the product or attempts to do so by the end user or any third party;
  - Labour charges or loss or damage resulting from improper operation, maintenance or repairs are not covered by this warranty
  - Any warranty claims that have been received after the warranty period, as specified in this end user warranty, has expired.
- 1.9 Additional costs like shipping/transport, special packaging requirements and costs of travel and accommodation, are at the end users expense.
- 1.10 If a complaint is unfounded, all costs incurred thereby, including handling, inspection, shipping and administrative costs on the side of Senco or its distributors, will be charged to the end user.
- 1.11 After expiration of the warranty period, all costs for repair or replacement, including handling, inspection, shipping and administrative costs will be charged to the end user.
- 1.12 Notwithstanding legal limitation periods, the limitation of all claims and appeals against Senco and third parties involved by Senco for the implementation of the agreement is one year.
- 1.13 If Senco fails to meet this agreement, it will not discharge the end user from the obligations arising under this or any other contract.
- 1.14 When the warranty terms can not be met, due to for example import or export prohibitions, strikes or other unforeseen circumstances, the warranty period will be extended accordingly.
- 1.15 Senco's liability is limited to the warranty. Senco is not liable for damage caused by the functioning or non-functioning of the products as delivered, repaired or modified by Senco or its distributors, including but not limited to, production losses, profit losses, reduced working range, commercial losses or consequential damages or indirect damages whatsoever.